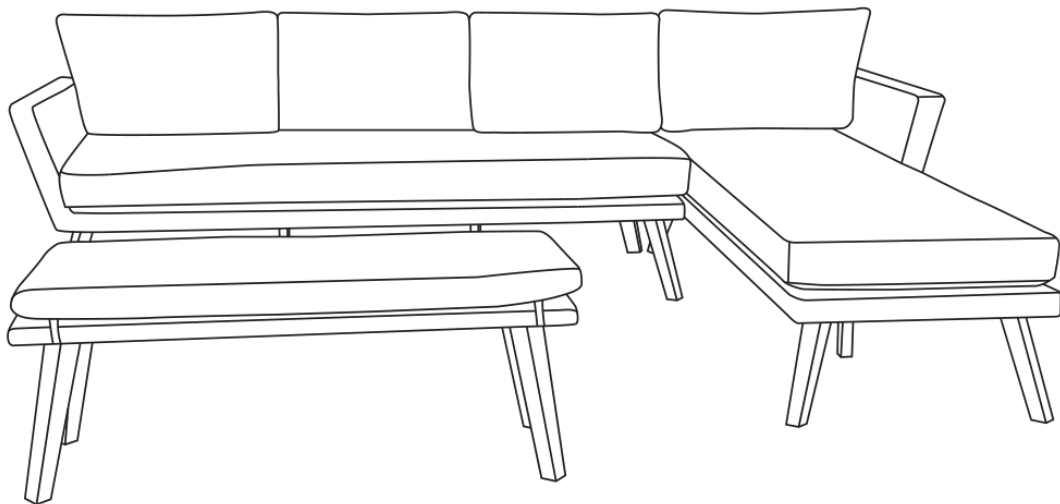


# MÖDRN

**MöDRN Scandi Minimal Lina Outdoor Sunbrella Sectional and Chaise Set  
Assembly Instructions  
UPC: 8-48799-00720-2**




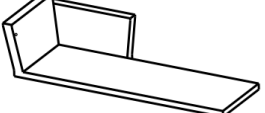
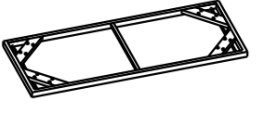








**For assistance with assembly, please contact customer service  
1-888-880-4884**

## PRE-ASSEMBLY PREPARATION



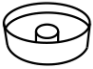

**WARNING!** DO NOT LET CHILDREN PLAY IN OR AROUND THE UNIT DUE TO THE POSSIBLE RISK OF FINGER ENTRAPMENT

- Please read through this instruction before beginning assembly.
- Assembly by two adults is recommended.
- Clear out the space for assembly and lay out all parts; extra room will allow you to easily determine if all the pieces are present.
- Save all packing materials until assembly is complete to avoid accidentally discarding smaller parts or hardware.
- Keep small parts and pieces away from children.
- Wait to fully tighten the bolts until all have been inserted and hand tightened.
- Please check for any loose screws and tighten them before use.

## PANEL AND FITTINGS IDENTIFICATION

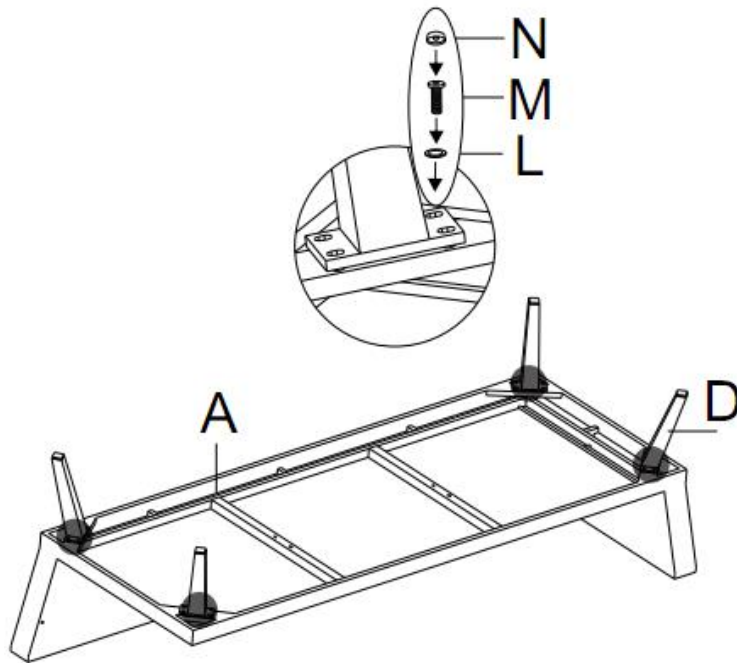
|   |   |  |  |
|---|---|--|--|
| <p>Sofa Seat (A)</p>  <p>Qty : 1</p>           | <p>Chaise Seat (B)</p>  <p>Qty : 1</p>           | <p>Bench Seat (C)</p>  <p>Qty : 1</p>          | <p>Short Leg (D)</p>  <p>Qty : 8</p>      |
| <p>Support Tube (E)</p>  <p>Qty : 4</p>      | <p>Long Leg (F)</p>  <p>Qty : 4</p>            | <p>Side Back Cushion (G)</p>  <p>Qty : 2</p> | <p>Back Cushion (H)</p>  <p>Qty : 2</p> |
| <p>Sofa Seat Cushion (I)</p>  <p>Qty : 1</p> | <p>Chaise Seat Cushion (J)</p>  <p>Qty : 1</p> | <p>Bench Cushion (K)</p>  <p>Qty : 1</p>    |  |

## HARDWARE LIST

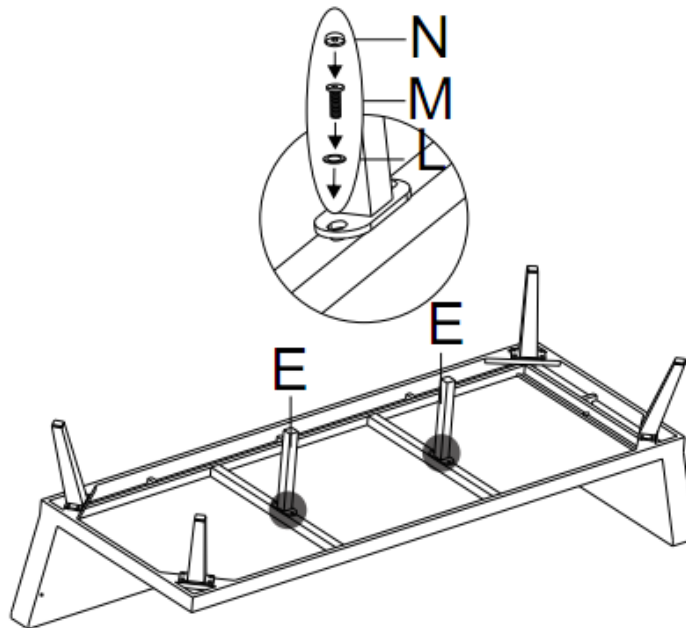
|  |   |   |   |
|--|---|---|---|
| <p>Washer (L)</p>  <p>Qty: 58</p> | <p>Wrench (M)</p>  <p>M6 x 20mm</p> <p>Qty: 58</p> | <p>Bolt Cover (N)</p>  <p>Qty :60</p> | <p>Wrench (O)</p>  <p>Qty: 1</p> |
|--|---|---|---|

## STEP-BY-STEP ASSEMBLY / SOFA

**STEP 1:** Attach four short legs (D) to sofa seat (A) with 16 bolts (M) and 16 washers (L).



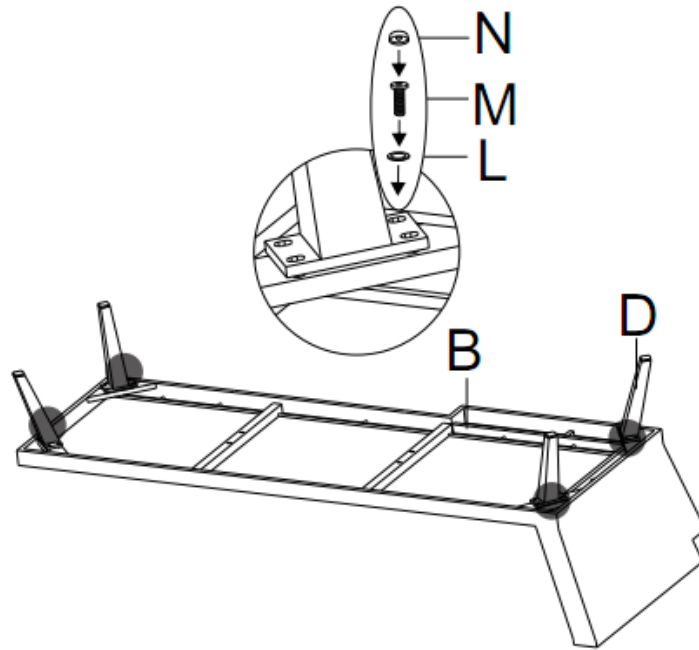
**STEP 2:** Attach two support tubes (E) in the middle with 4 bolts (M) and 4 washers (L).



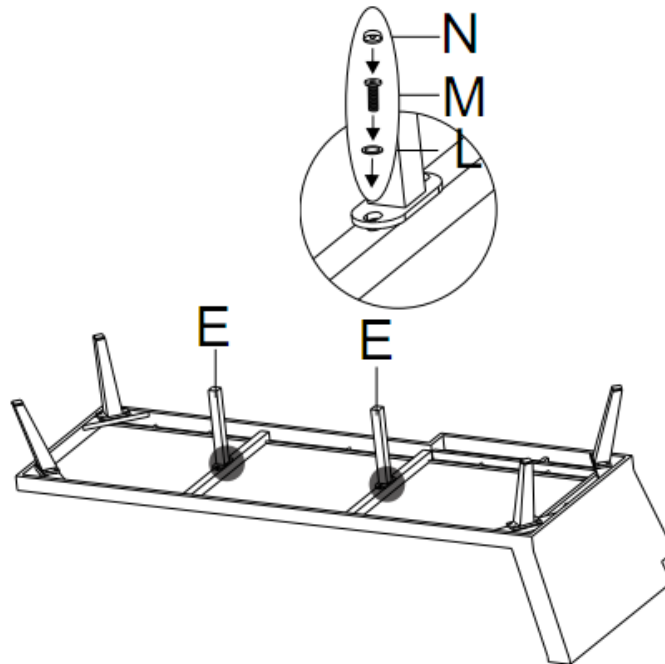
**STEP 3:** Fully tighten all the bolts using wrench (O). Cover the bolts with bolt covers (N).

## STEP-BY-STEP ASSEMBLY / CHAISE

**STEP 1:** Attach four short legs (D) to chaise seat (B) with 16 bolts (M) and 16 washers (L).



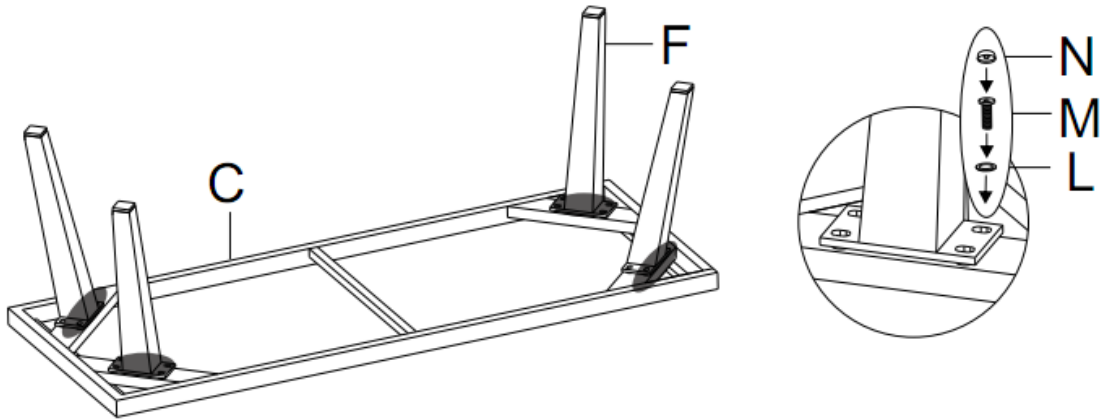
**STEP 2:** Attach two support tubes (E) at the middle with 4 bolts (M) and 4 washers (L).



**STEP 3:** Fully tighten all the bolts using wrench (O). Cover the bolts with bolt covers (N).

## STEP-BY-STEP ASSEMBLY / BENCH

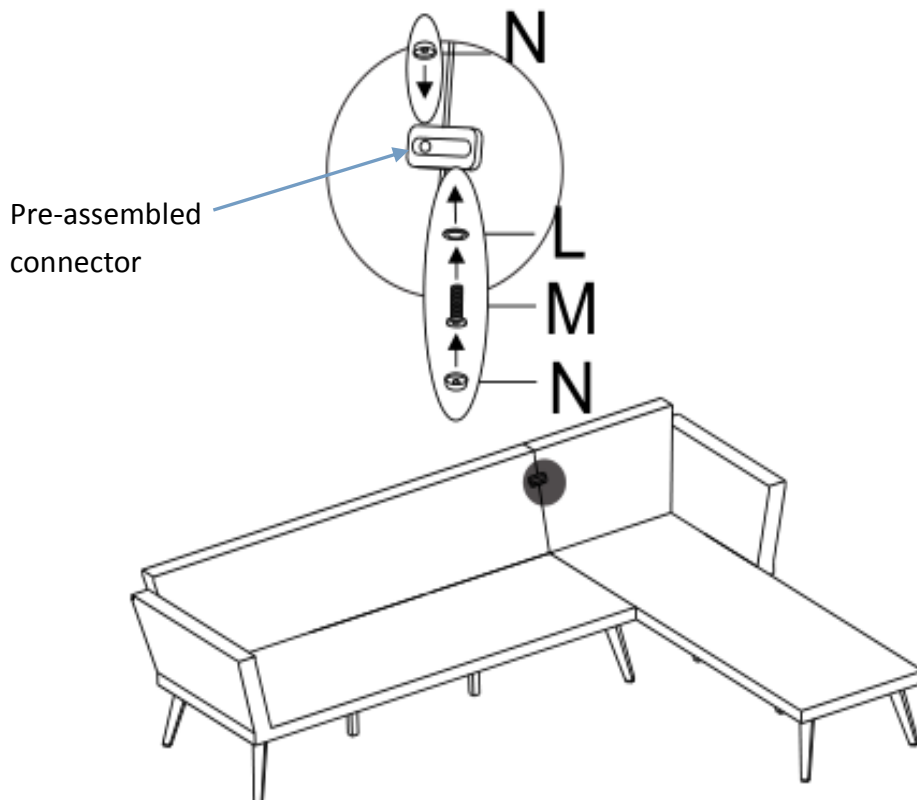
**STEP 1:** Attach four long legs (F) to bench seat (C) with 16 bolts (M) and 16 washers (L).



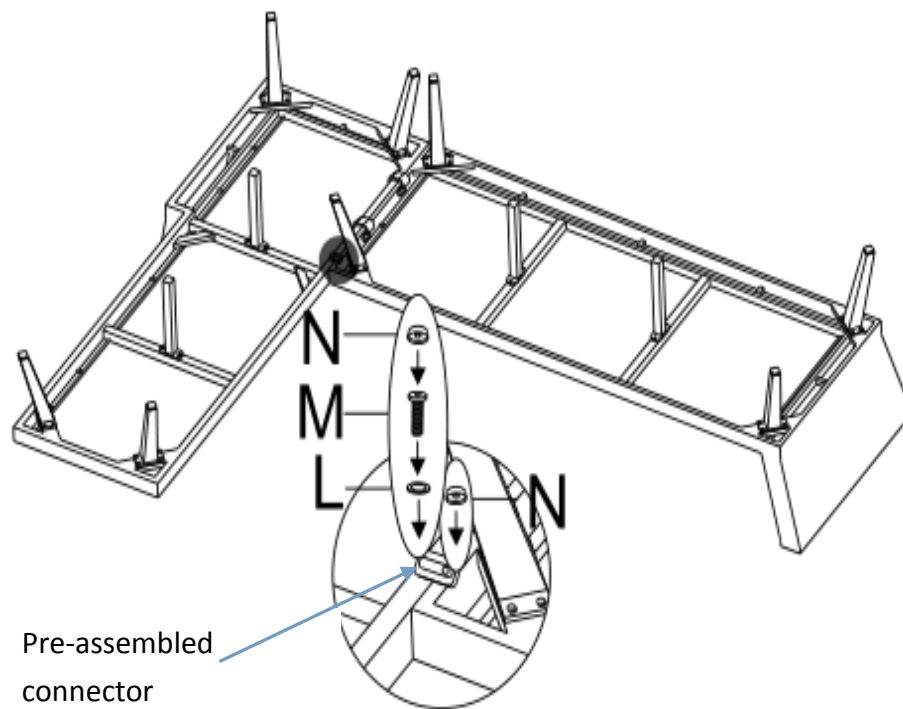
**STEP 2:** Fully tighten all the bolts using wrench (O). Cover the bolts with bolt covers (N).

## STEP-BY-STEP ASSEMBLY / SET UP

**STEP 1:** Connect the sofa and chaise at the back with 1 bolt (M) and 1 washer (L) through the pre-assembled connector.



**STEP 2:** Connect the sofa and bench at the bottom with 1 bolt (M) and 1 washer (L) through the pre-assembled connector.



**STEP 3:** Fully tighten all the bolts using wrench (O). Cover the bolts with bolt covers (N). Put on the cushions as shown.

