

hayneedle



ITEM NAME: Belham Living Papillon Metal Porch Swing - 4 ft.

SKU: PSM532-1



For assistance with assembly, please contact customer service

1-888-880-4884

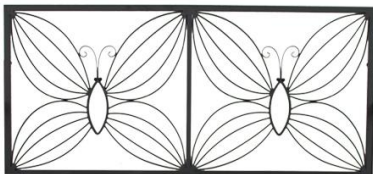
PRE-ASSEMBLY PREPARATION

WARNING! DO NOT LET CHILDREN PLAY IN OR AROUND THE UNIT DUE TO THE POSSIBLE RISK OF FINGER ENTRAPMENT

- Please read through this instruction before beginning assembly.
- Assembly by two adults is recommended.
- Clear out the space for assembly and lay out all parts; extra room will allow you to easily determine if all the pieces are present.
- Save all packing materials until assembly is complete to avoid accidentally discarding smaller parts or hardware.
- Keep small parts and pieces away from children.
- Wait to fully tighten the fasteners until all have been inserted and hand tightened.
- Please check for any loose screws and tighten them before use.

PANEL AND FITTINGS IDENTIFICATION

Back Panel (A)



Qty: 1

Seat Panel (B)



Qty: 1

Side Frame – Left & Right (C & D)



Qty: 1 pair

Chain (E)



Qty: 2

HARDWARE LIST

Screw Cap (F)



Qty: 8

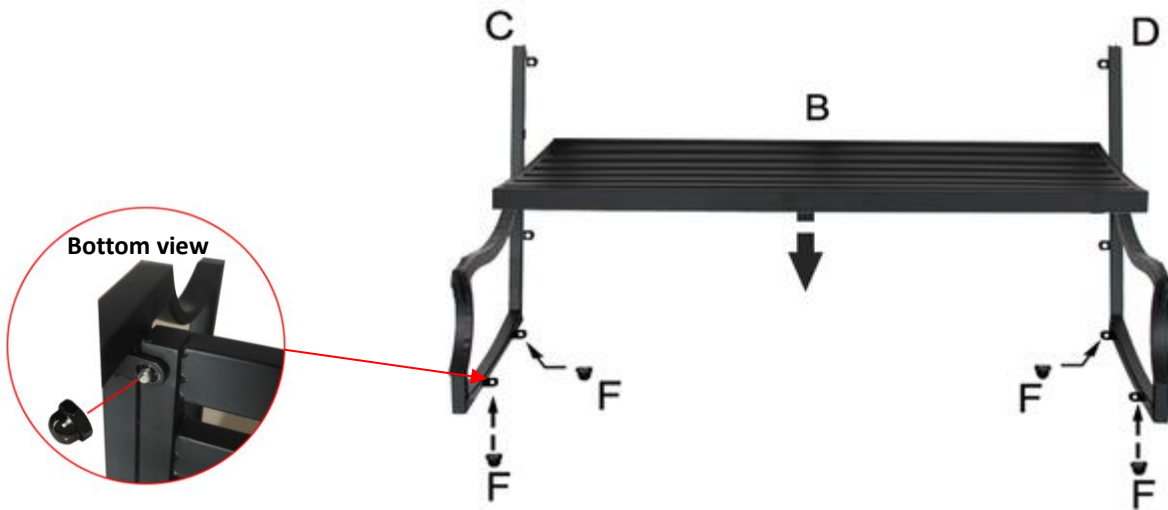
Wrench



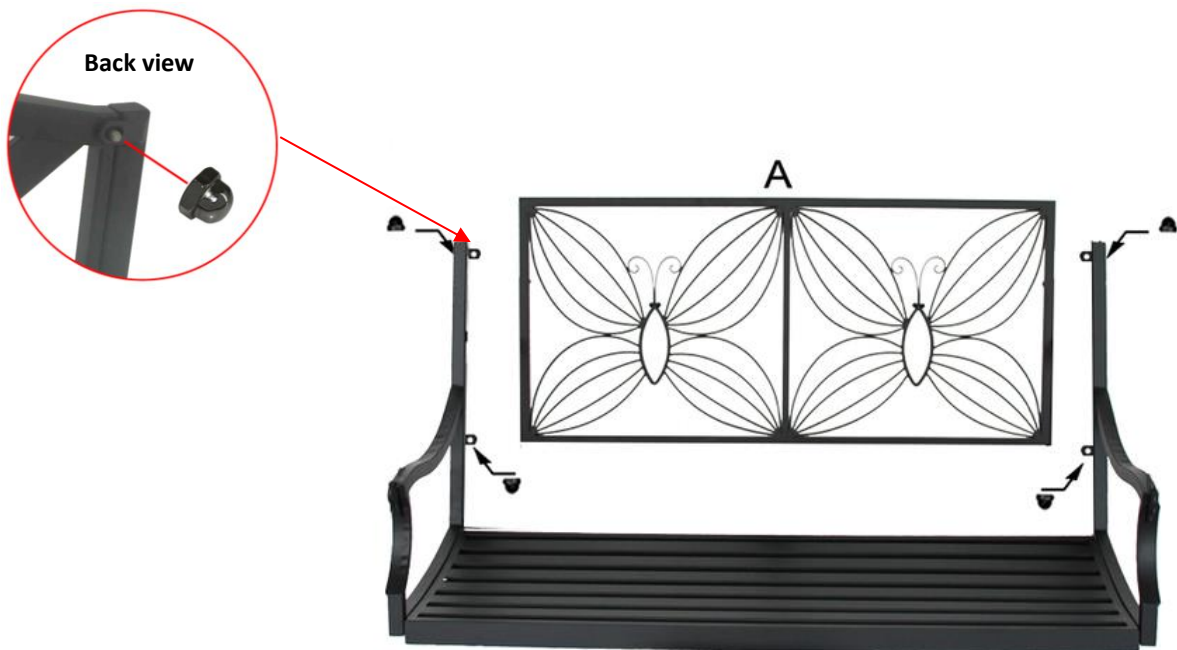
Qty: 1

STEP-BY-STEP ASSEMBLY

STEP 1: Insert the pre-attached screws from seat panel (B) into side frames (C & D) and secure from underneath the seat with 4 screw caps (F).



STEP 2: Attach the back panel (A) by inserting the pre-attached screws in to the tabs of the side frames (C & D). Secure from the back with 4 screw caps (F).



STEP 3: Put the chains (E) onto the hooks at side frames.

