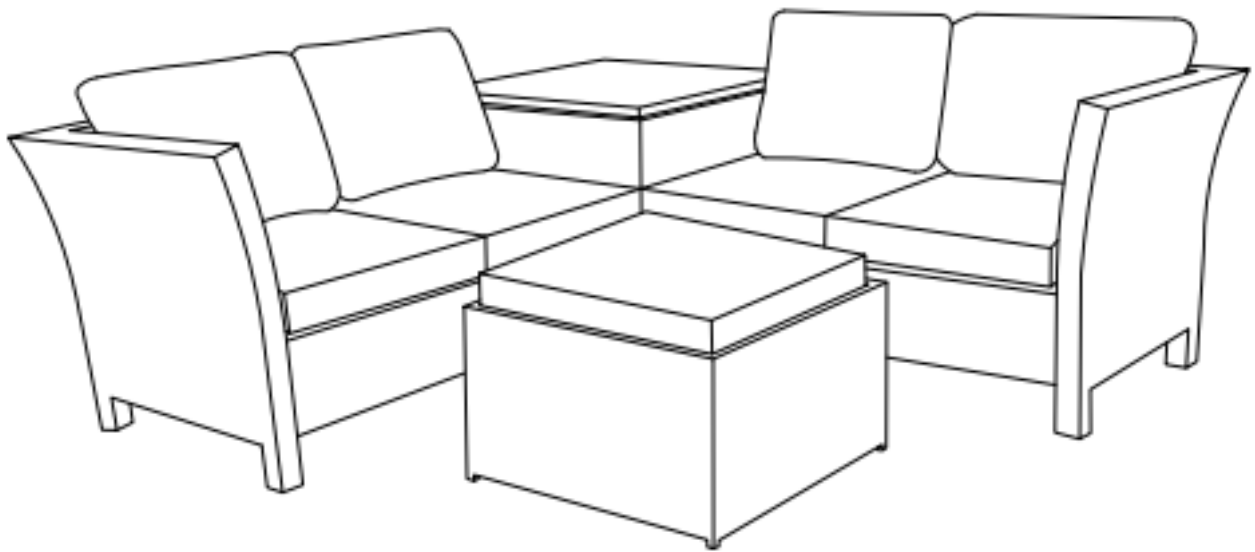


hayneedle



ITEM NAME: Belham Living Antigua Steel Woven Sectional Sofa

SKU: PSM470-1



For assistance with assembly, please contact customer service

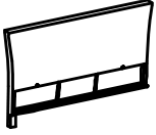




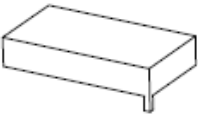


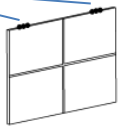
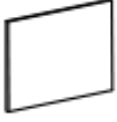




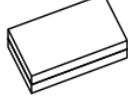


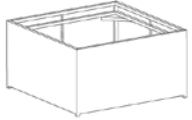
1-888-880-4884

PRE-ASSEMBLY PREPARATION

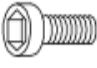
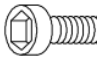
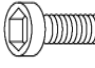
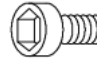






WARNING! DO NOT LET CHILDREN PLAY IN OR AROUND THE UNIT DUE TO THE POSSIBLE RISK OF FINGER ENTRAPMENT

- Please read through this instruction before beginning assembly.
- Assembly by two adults is recommended.
- Clear out the space for assembly and lay out all parts; extra room will allow you to easily determine if all the pieces are present.
- Save all packing materials until assembly is complete to avoid accidentally discarding smaller parts or hardware.
- Keep small parts and pieces away from children.
- Wait to fully tighten the fasteners until all have been inserted and hand tightened.
- Please check for any loose screws and tighten them before use.

PANEL AND FITTINGS IDENTIFICATION

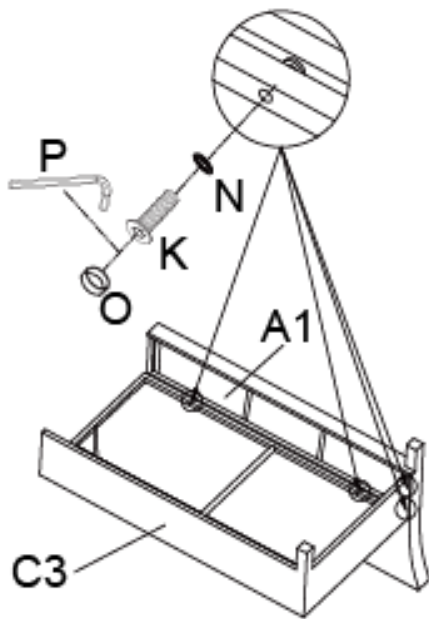
<p>Back Panel for Right Loveseat (A1)</p>  <p>Qty: 1</p>	<p>Back Panel for Left Loveseat (A2)</p>  <p>Qty: 1</p>	<p>Armrest for Right Loveseat (B1)</p>  <p>Qty: 1</p>	<p>Armrest for Left Loveseat (B2)</p>  <p>Qty: 1</p>
<p>Seat Panel for Right Loveseat (C3)</p>  <p>Qty: 1</p>	<p>Seat Panel for Left Loveseat (C4)</p>  <p>Qty: 1</p>	<p>Top Lid for Storage Table (D)</p> <p>With 6 holes for connecting hinges</p>  <p>Qty: 1</p>	<p>Side Panel for Storage Table (E)</p>  <p>Qty: 2</p>
<p>Back Panel for Storage Table (F1)</p> <p>With 2 hinges</p>  <p>Qty: 1</p>	<p>Front Panel for Storage Table (F2)</p>  <p>Qty: 1</p>	<p>Bottom Panel for Storage Table (G)</p> <p>Covered with fabric; without wicker</p>  <p>Qty: 1</p>	<p>Seat Cushion (R)</p>  <p>Qty: 4</p>
<p>Back Cushion (S)</p>  <p>Qty: 2</p>	<p>Back Cushion (T)</p>  <p>Qty: 2</p>	<p>Storage Table Lining (U)</p>  <p>Qty: 1</p>	<p>Ottoman Cushion (X)</p>  <p>Qty: 1</p>
<p>Ottoman Top Frame (Y)</p>  <p>Qty: 1</p>	<p>Ottoman Body (Z)</p>  <p>Qty: 1</p>		

HARDWARE LIST

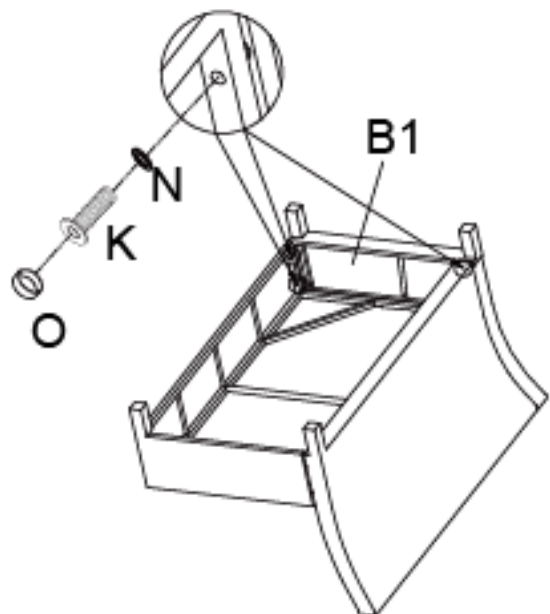
Bolt M6*20mm (H)  Qty: 2	Bolt M6*25mm (I)  Qty: 1	Bolt M6*35mm (J)  Qty: 12	Bolt M6*40mm (K)  Qty: 14	Screw (L)  Qty: 6
Plastic Washer (M)  Qty: 1	Steel Washer (N)  Qty: 29	Bolt Cover (O)  Qty: 29	Hex Key (P)  Qty: 1	Phillips Screwdriver (Q)  Qty: 1

STEP-BY-STEP ASSEMBLY / RIGHT LOVESEAT

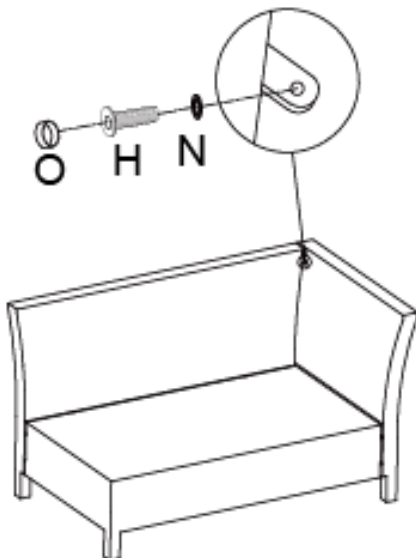
Step 1: Attach seat panel (C3) to back panel (A1) with 4 bolts (K) and 4 washers (N).



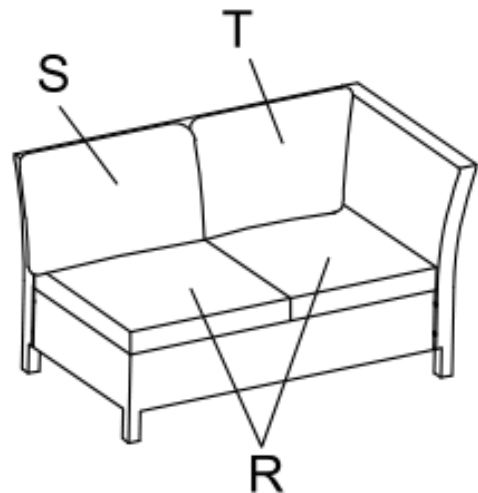
Step 2: Attach armrest (B1) to seat panel and back panel with 3 bolts (K) and 3 washers (N).



Step 3: Connect back panel and armrest with 1 bolt (H) and 1 washer (N)

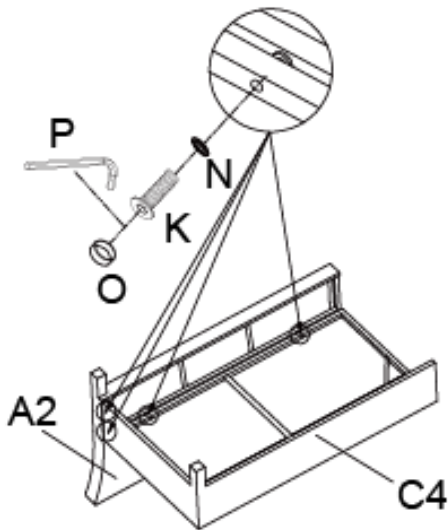


Step 4: Tighten all bolts using wrench. Cover the bolts with bolt covers (O). Put on the cushions.

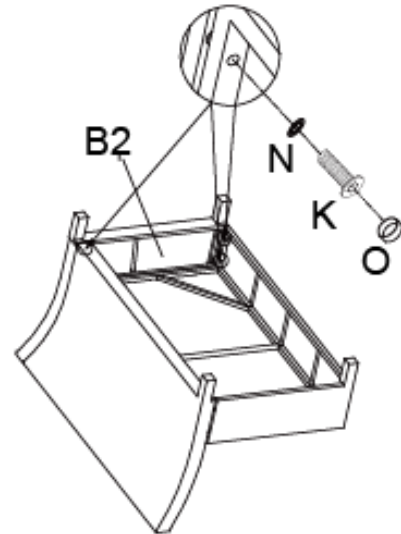


STEP-BY-STEP ASSEMBLY / LEFT LOVESEAT

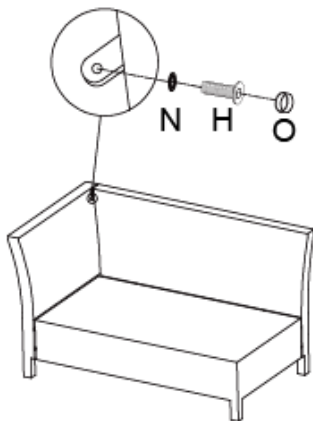
Step 1: Attach seat panel (C4) to back panel (A2) with 4 bolts (K) and 4 washers (N).



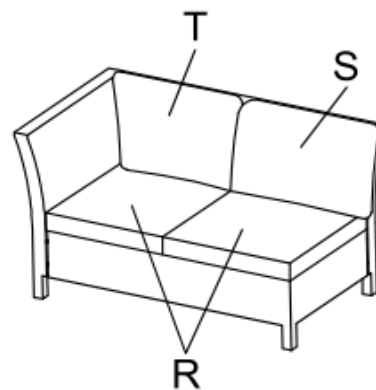
Step 2: Attach armrest (B2) to seat panel and back panel with 3 bolts (K) and 3 washers (N).



Step 3: Connect back panel and armrest with 1 bolt (H) and 1 washer (N).

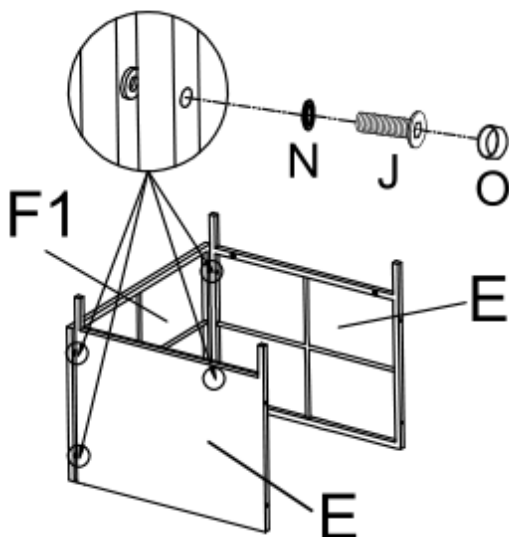


Step 4: Tighten all bolts using wrench. Cover the bolts with bolt covers (O). Put on the cushions.

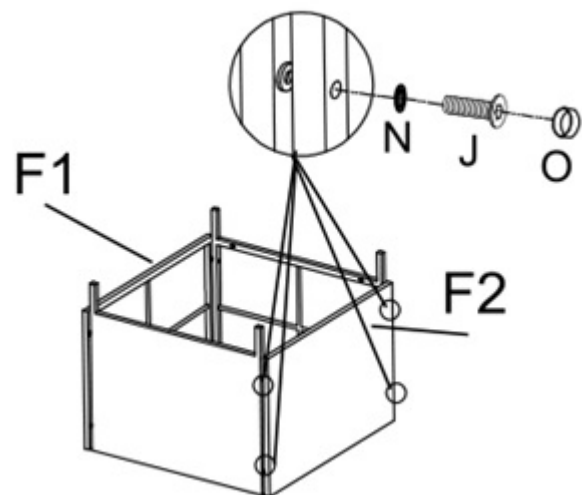


STEP-BY-STEP ASSEMBLY / STORAGE TABLE

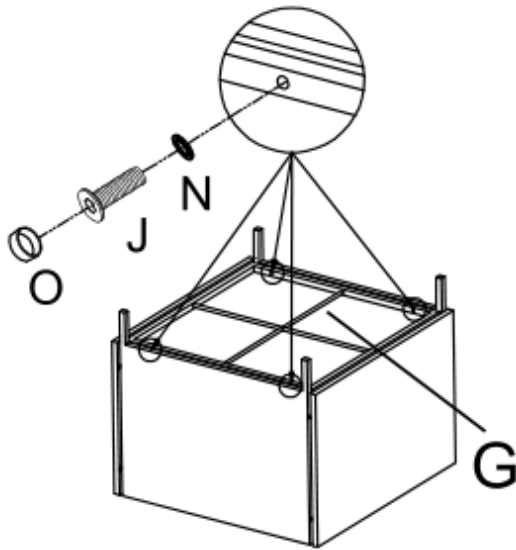
Step 1: Put together back panel (F1) and side panels (E) with 4 bolts (J) and 4 washers (N).



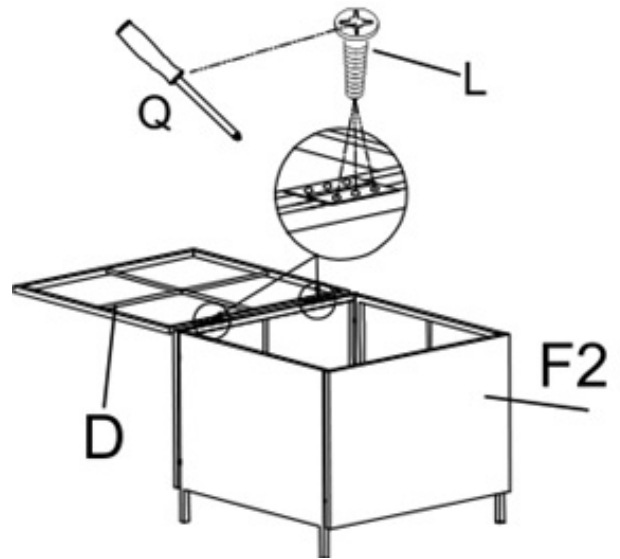
Step 2: Attach front panel (F2) with 4 bolts (J) and 4 washers (N).



Step 3: Attach bottom panel (G) with 4 bolts (J) and 4 washers (N).

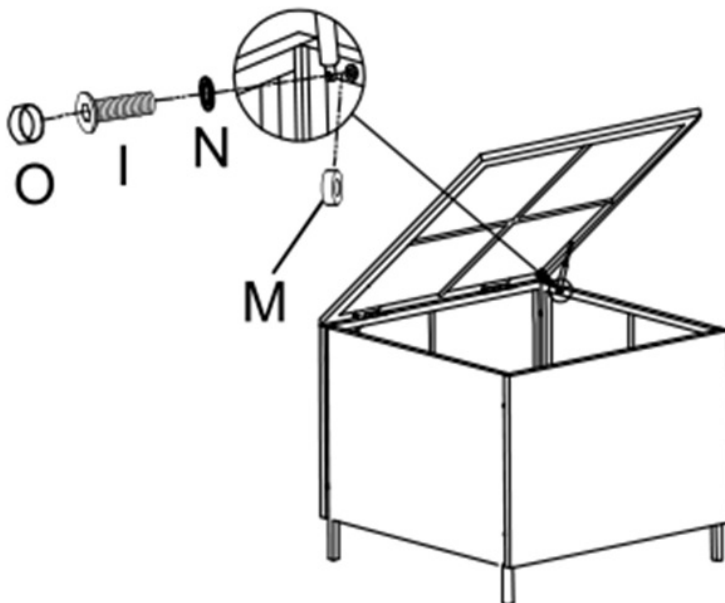


Step 4: Attach top lid (D) with 6 screws (L) on the hinges.



Step 5: Attach the other end of support rod (one end pre-attached on lid) to side panel with 1 plastic washer (M), 1 bolt (I) and 1 washer (N).

NOTE: The plastic washer (M) should be placed in between the support rod and side panel (E).



Step 6: Tighten all bolts and screws using wrench / screwdriver. Cover the bolts with bolt covers (O). Place the lining (U) inside by sticking the hook & loop tape to the top edge of storage box.



STEP-BY-STEP ASSEMBLY / OTTOMAN

Put top frame (Y) onto ottoman body (Z).

Then put on the cushion.

