

hayneedle



ITEM NAME: Coral Coast Harlowton Steel Slat Patio Dining Table
SKU: PSM477-1



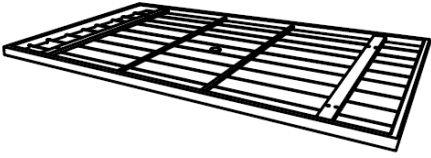
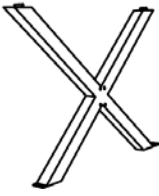
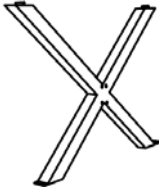

For assistance with assembly, please contact customer service
1-888-880-4884

PRE-ASSEMBLY PREPARATION


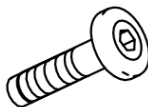


WARNING! DO NOT LET CHILDREN PLAY IN OR AROUND THE UNIT DUE TO THE POSSIBLE RISK OF FINGER ENTRAPMENT

- Please read through this instruction before beginning assembly.
- Assembly by two adults is recommended.
- Clear out the space for assembly and lay out all parts; extra room will allow you to easily determine if all the pieces are present.
- Save all packing materials until assembly is complete to avoid accidentally discarding smaller parts or hardware.
- Keep small parts and pieces away from children.
- Wait to fully tighten the fasteners until all have been inserted and hand tightened.
- Please check for any loose screws and tighten them before use.

PANEL AND FITTINGS IDENTIFICATION

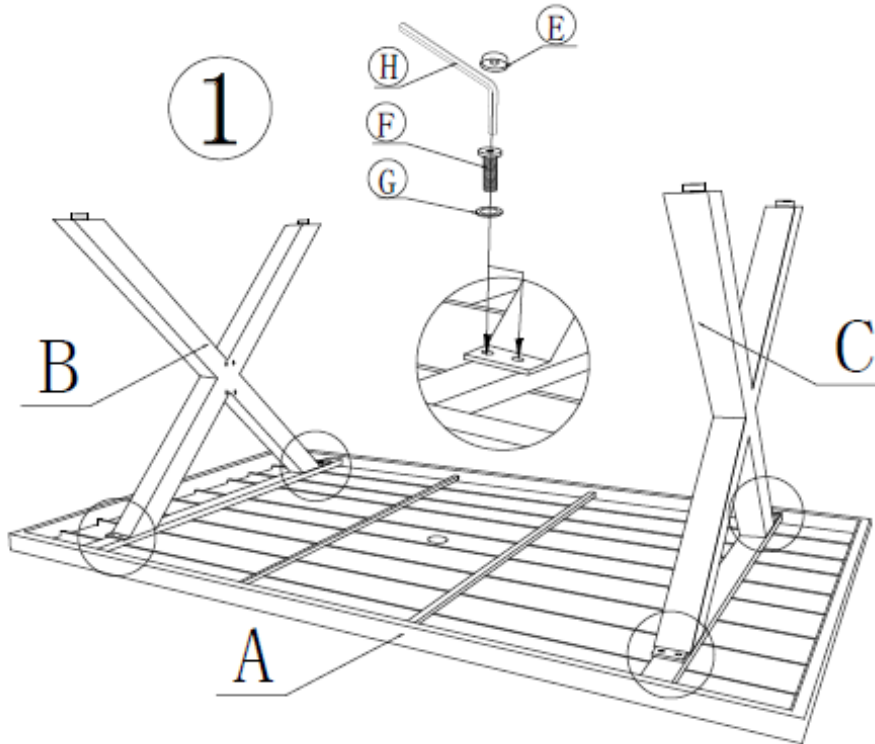
<p>Table Top (A)</p>  <p>Qty: 1</p>	<p>Left Leg (B)</p>  <p>Qty: 1</p>	<p>Right Leg (C)</p>  <p>Qty: 1</p>
<p>Support Bar (D)</p>  <p>Qty: 1</p>		

HARDWARE LIST

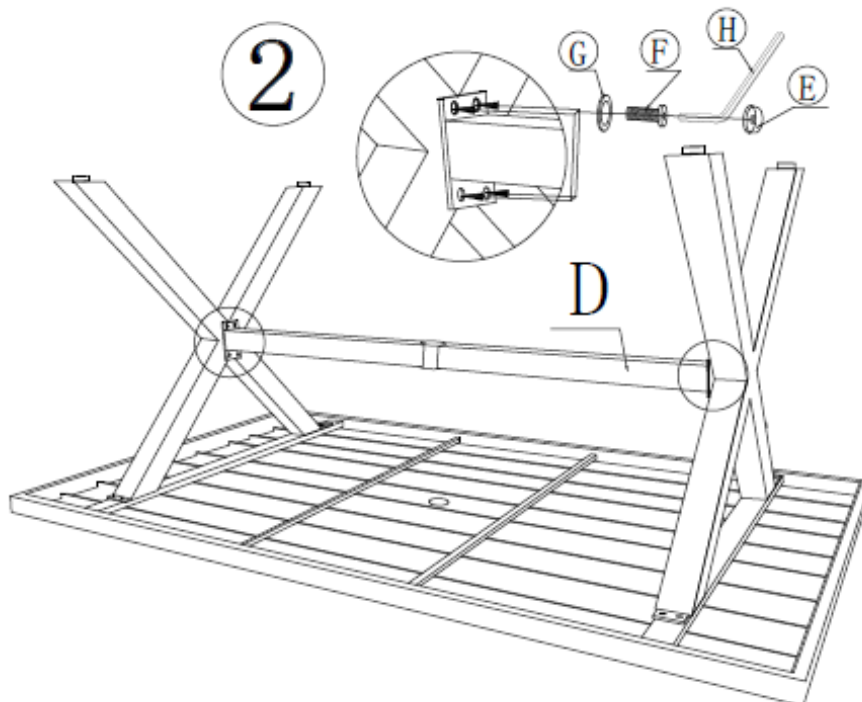
<p>Bolt Cover (E)</p>  <p>Qty: 16</p>	<p>Bolt M6*20mm (F)</p>  <p>Qty: 16</p>	<p>Washer (G)</p>  <p>Qty: 16</p>
<p>Hex Key (H)</p>  <p>Qty: 1</p>		

STEP-BY-STEP ASSEMBLY

STEP 1: Attach legs (B & C) to table top (A) with 8 bolts (F) and 8 washers (G).



STEP 2: Attach support bar (D) to the legs with 8 bolts (F) and 8 washers (G).



STEP 3: Tighten all bolts using hex key (H). Cover the bolts with bolt covers (E).