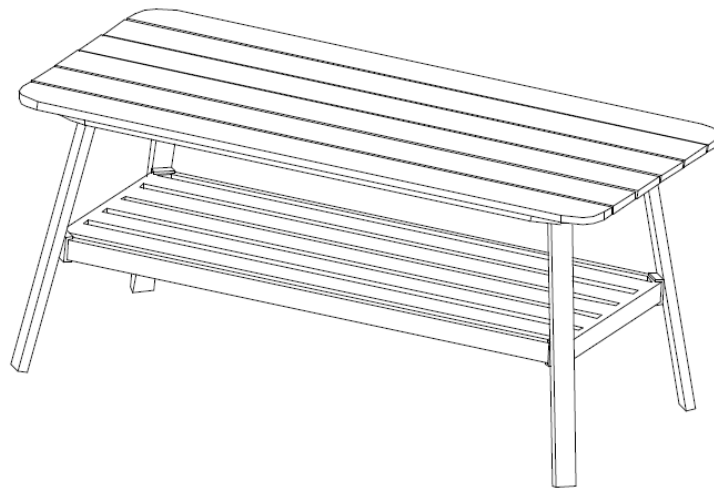


# hayneedle



**ITEM NAME: Belham Living Ocean City Aluminum Coffee Table**

**SKU: PSM469-1**



**For assistance with assembly, please contact customer service**

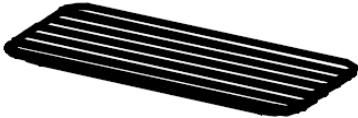


**1-888-880-4884**

## PRE-ASSEMBLY PREPARATION

**WARNING!** DO NOT LET CHILDREN PLAY IN OR AROUND THE UNIT DUE TO THE POSSIBLE RISK OF FINGER ENTRAPMENT

- Please read through this instruction before beginning assembly.
- Assembly by two adults is recommended.
- Clear out the space for assembly and lay out all parts; extra room will allow you to easily determine if all the pieces are present.
- Save all packing materials until assembly is complete to avoid accidentally discarding smaller parts or hardware.
- Keep small parts and pieces away from children.
- Wait to fully tighten the fasteners until all have been inserted and hand tightened.
- Please check for any loose screws and tighten them before use.

## PANEL AND FITTINGS IDENTIFICATION

Table Top (A)  Qty: 1	Shelf (B)  Qty: 1	Leg (C)  Qty: 4
--	--	--

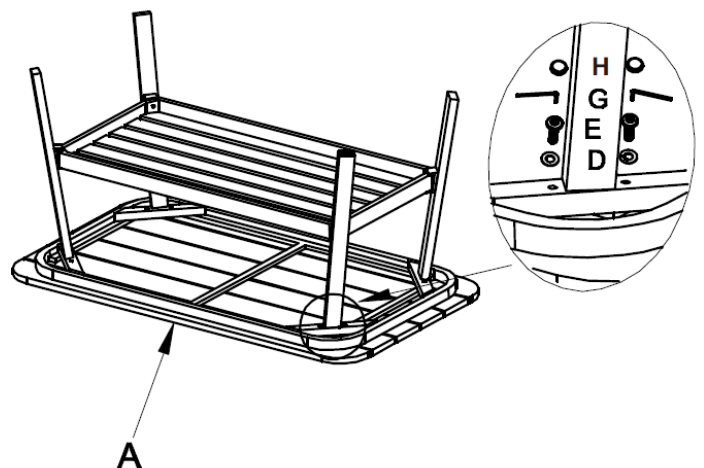
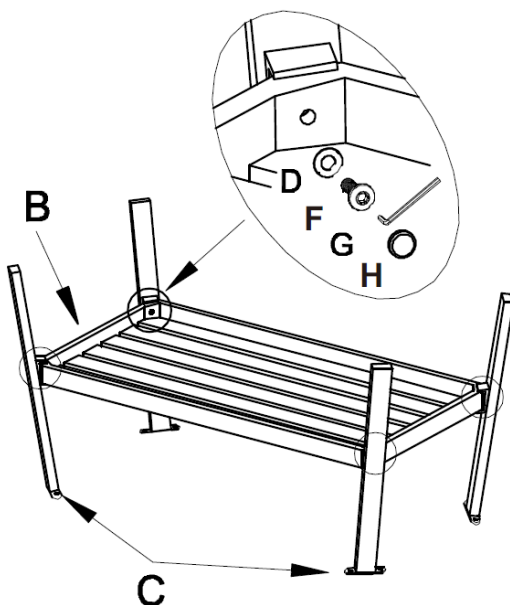
## HARDWARE LIST

Washer (D)  Qty: 12	Bolt M6*20mm (E)  Qty: 8	Bolt M6*25mm (F)  Qty: 4	Hex Key (G)  Qty: 1	Bolt Cover (H)  Qty: 12
--	---	---	---	--

## STEP-BY-STEP ASSEMBLY

**Step 1:** Attach the legs (C) to the shelf (B) with 4 bolts (F) and 4 washers (D).

**Step 2:** Attach the legs to table top (A) with 8 bolts (E) and 8 washers (D).



**Step 3:** Tighten all bolts using hex key (G). Cover the bolts with bolt covers (H).