

# hayneedle



**ITEM NAME:** Belham Living Lawson X-Back Porch Swing – 4ft / 5ft  
**SKU:** PSM415-1 / 415-2



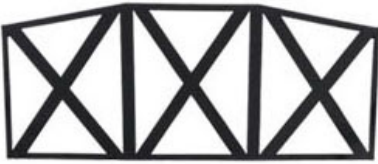



**For assistance with assembly, please contact customer service  
1-888-880-4884**

## PRE-ASSEMBLY PREPARATION



**WARNING!** DO NOT LET CHILDREN PLAY IN OR AROUND THE UNIT DUE TO THE POSSIBLE RISK OF FINGER ENTRAPMENT

- Please read through this instruction before beginning assembly.
- Assembly by two adults is recommended.
- Clear out the space for assembly and lay out all parts; extra room will allow you to easily determine if all the pieces are present.
- Save all packing materials until assembly is complete to avoid accidentally discarding smaller parts or hardware.
- Keep small parts and pieces away from children.
- Wait to fully tighten the fasteners until all have been inserted and hand tightened.
- Please check for any loose screws and tighten them before use.

## PANEL AND FITTINGS IDENTIFICATION

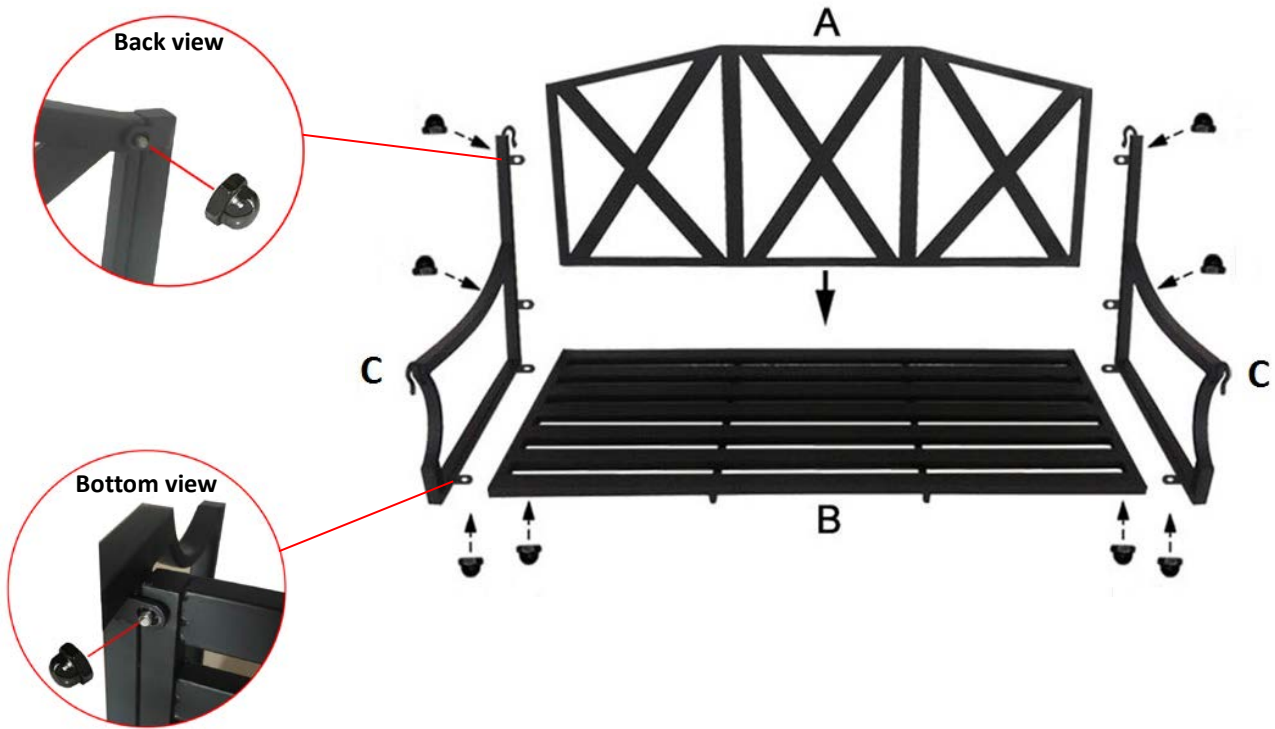
<p>Back Panel (A)</p>  <p>Qty: 1</p>	<p>Seat Panel (B)</p>  <p>Qty: 1</p>
<p>Arm frame – Left &amp; Right (C)</p>  <p>Qty: 1 pair</p>	<p>Chain (D)</p>  <p>Qty: 2</p>

## HARDWARE LIST

<p>Screw Cap</p>  <p>Qty: 8</p>	<p>Wrench</p>  <p>Qty: 1</p>
--	---

## STEP-BY-STEP ASSEMBLY

**STEP 1:** Insert pre-attached screws from seat panel (B) into arm frames (C) and secure with 4 screw caps. Insert pre-attached screws from back panel (A) to arm frames and secure with 4 screw caps.



**STEP 2:** Put the chains (D) onto the hooks at arm frames.

