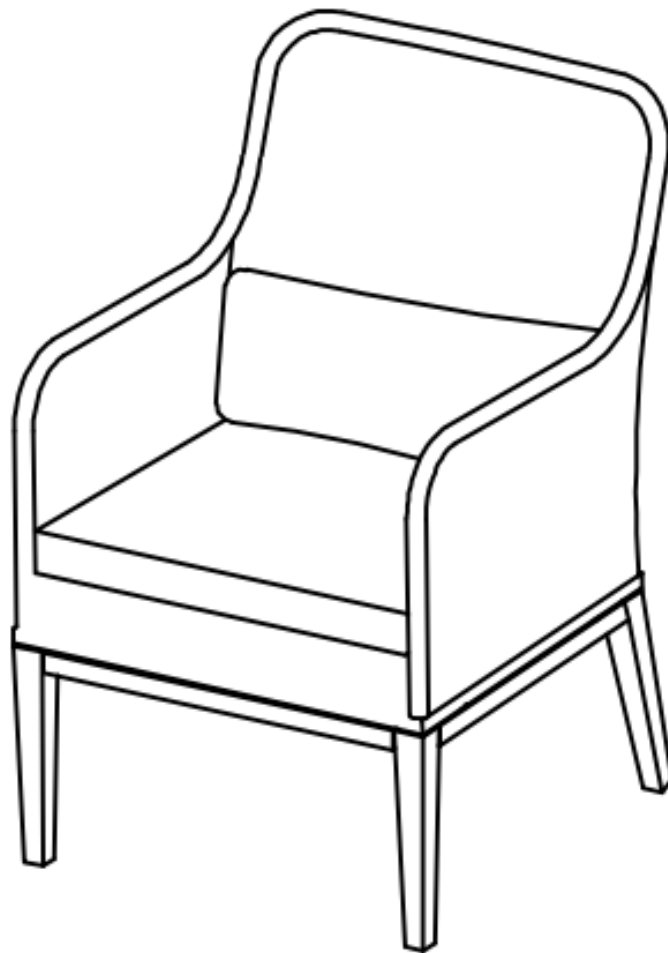


hayneedle



ITEM NAME: Belham Living Lake Como All-Weather Wicker Patio Dining Chair – Set of 2
SKU: PSM384-1




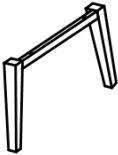
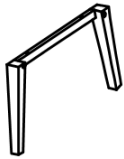

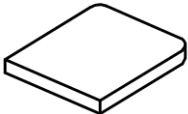

For assistance with assembly, please contact customer service
1-888-880-4884

PRE-ASSEMBLY PREPARATION

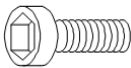



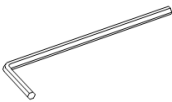
WARNING! DO NOT LET CHILDREN PLAY IN OR AROUND THE UNIT DUE TO THE POSSIBLE RISK OF FINGER ENTRAPMENT

- Please read through this instruction before beginning assembly.
- Assembly by two adults is recommended.
- Clear out the space for assembly and lay out all parts; extra room will allow you to easily determine if all the pieces are present.
- Save all packing materials until assembly is complete to avoid accidentally discarding smaller parts or hardware.
- Keep small parts and pieces away from children.
- Wait to fully tighten the bolts until all have been inserted and hand tightened.
- Please check for any loose screws and tighten them before use.

PANEL AND FITTINGS IDENTIFICATION

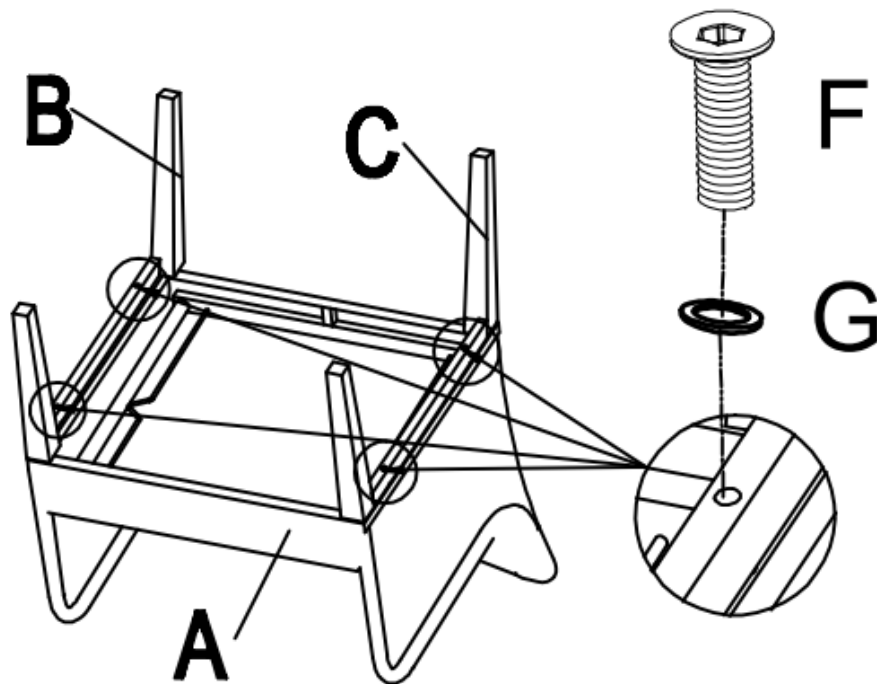
<p>Chair Seat (A)</p>  <p>Qty: 2</p>	<p>Leg (B)</p>  <p>Qty: 2</p>	<p>Leg (C)</p>  <p>Qty: 2</p>
<p>Connector Bar (D)</p>  <p>Qty: 4</p>	<p>Seat Cushion (J)</p>  <p>Qty: 2</p>	<p>Lumbar Pillow (K)</p>  <p>Qty: 2</p>

HARDWARE LIST

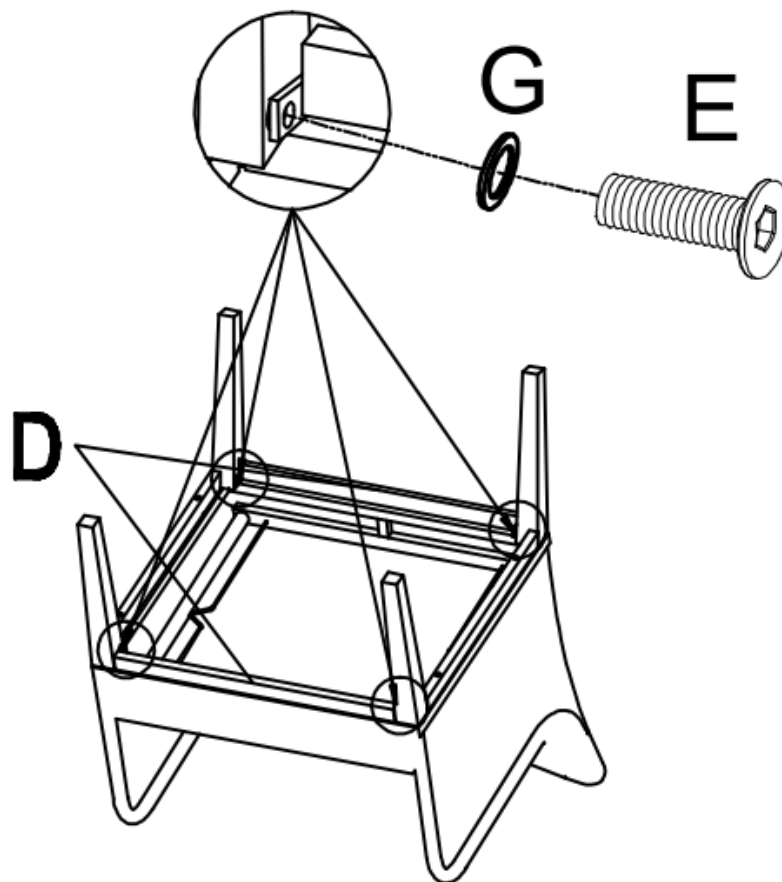
<p>Short Bolt (E)</p>  <p>M6 x 15mm</p> <p>Qty: 8</p>	<p>Long Bolt (F)</p>  <p>M6 x 50mm</p> <p>Qty: 8</p>	<p>Washer (G)</p>  <p>Qty: 16</p>	<p>Bolt Cover (H)</p>  <p>Qty: 16</p>	<p>Hex Key Wrench (I)</p>  <p>Qty: 1</p>
--	---	--	--	---

STEP-BY-STEP ASSEMBLY

STEP 1: Attach the legs (B) & (C) to chair seat(A) with 4 long bolts F and 4 washers (G).



STEP 2: Attach two connector bars (D) to the front and back legs with 4 short bolts (E) and 4 washers.



STEP 3: Fully tighten all the bolts using the wrench (I). Cover all the bolts with bolt covers (H). Turn the chair upright. Put on the seat cushion and lumbar pillow on the chair. Repeat the same assembly steps for another chair.

