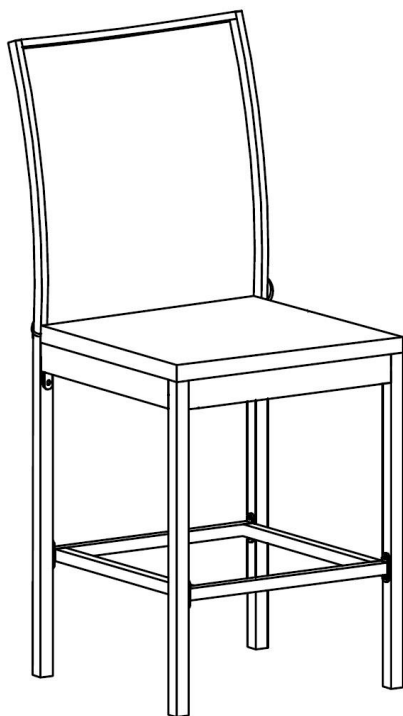


# hayneedle



**ITEM NAME: Coral Coast South Isle Wicker Patio Barstool – Set of 2**

**SKU: PSM376-1 / PSM395-1**



**For assistance with assembly, please contact customer service**

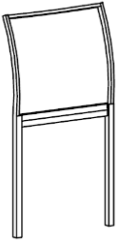



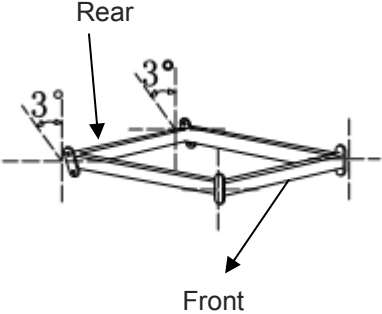
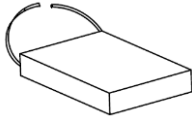
**1-888-880-4884**

## PRE-ASSEMBLY PREPARATION






**WARNING!** DO NOT LET CHILDREN PLAY IN OR AROUND THE UNIT DUE TO THE POSSIBLE RISK OF FINGER ENTRAPMENT

- Please read through this instruction before beginning assembly.
- Assembly by two adults is recommended.
- Clear out the space for assembly and lay out all parts; extra room will allow you to easily determine if all the pieces are present.
- Save all packing materials until assembly is complete to avoid accidentally discarding smaller parts or hardware.
- Keep small parts and pieces away from children until fully assembly.
- Wait to fully tighten the bolts until all have been inserted and hand tightened.
- Please check for any loose screws and tighten them before use.

## PANEL AND FITTINGS IDENTIFICATION

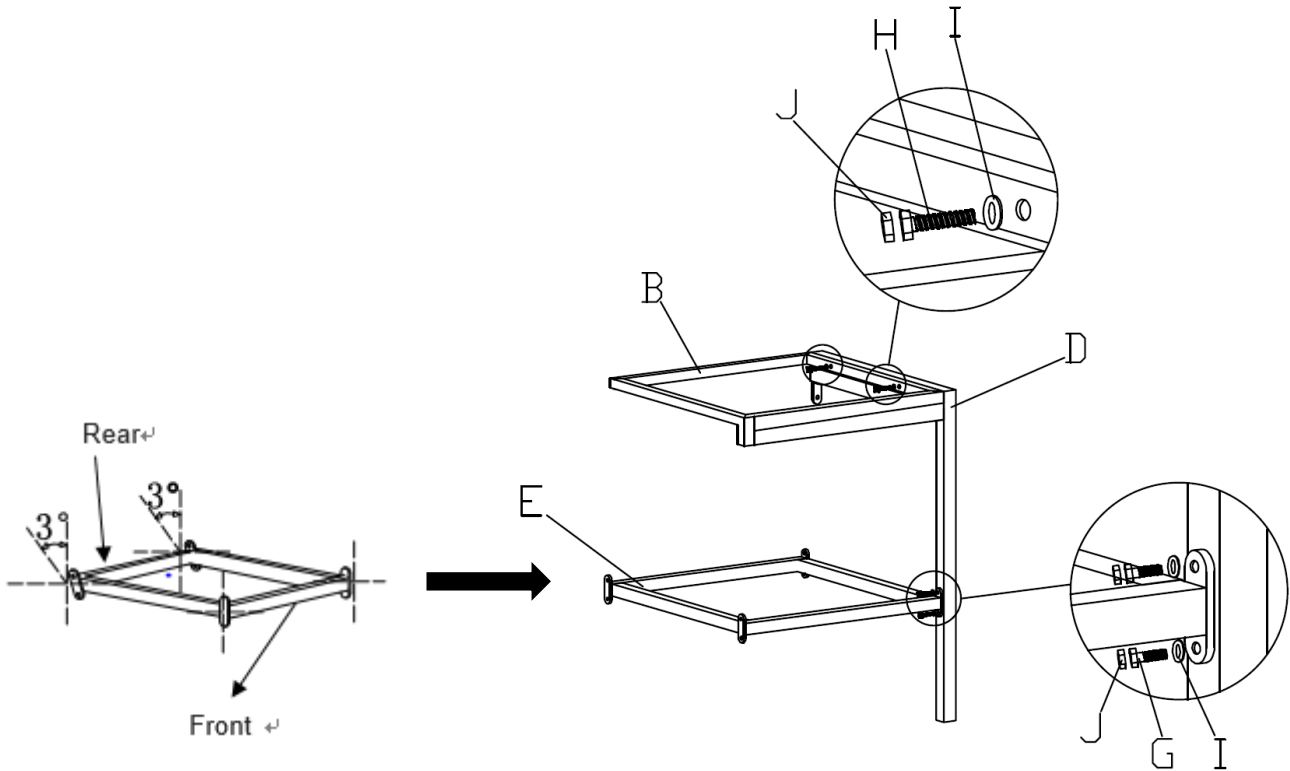
<p>Back Panel (A)</p>  <p>Qty: 2</p>	<p>Seat Panel (B)</p>  <p>Qty: 2</p>	<p>Front Right Leg (C)</p>  <p>Qty: 2</p>	<p>Front Left Leg (D)</p>  <p>Qty: 2</p>
<p>Support Frame (E)</p>  <p>Qty: 2</p>	<p>Cushion (F)</p>  <p>Qty: 2</p>		

## HARDWARE LIST

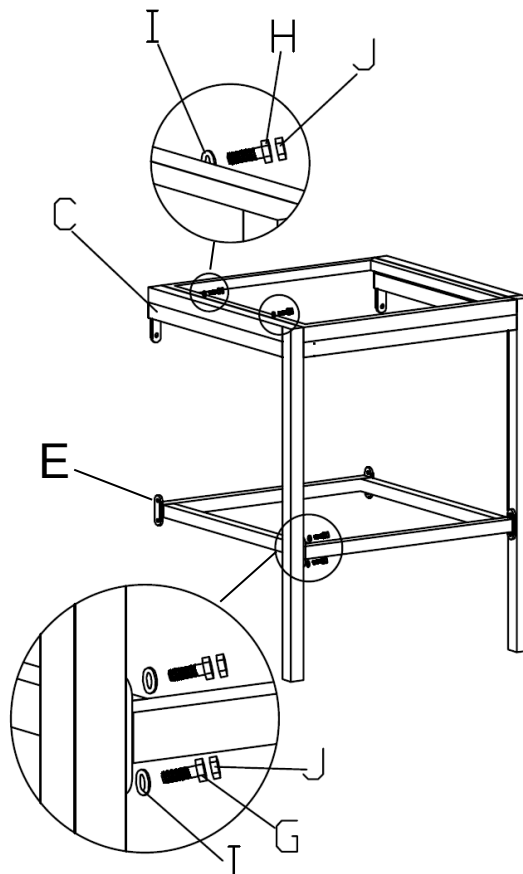
<p>Short Bolt (G)</p>  <p>M6 x 15mm</p> <p>Qty: 20</p>	<p>Long Bolt (H)</p>  <p>M6 x 30mm</p> <p>Qty: 10</p>	<p>Washer (I)</p>  <p>Qty: 30</p>	<p>Plastic Cap (J)</p>  <p>Qty: 30</p>	<p>Wrench (K)</p>  <p>Qty: 1</p>
---	--	--	---	---

## STEP-BY-STEP ASSEMBLY

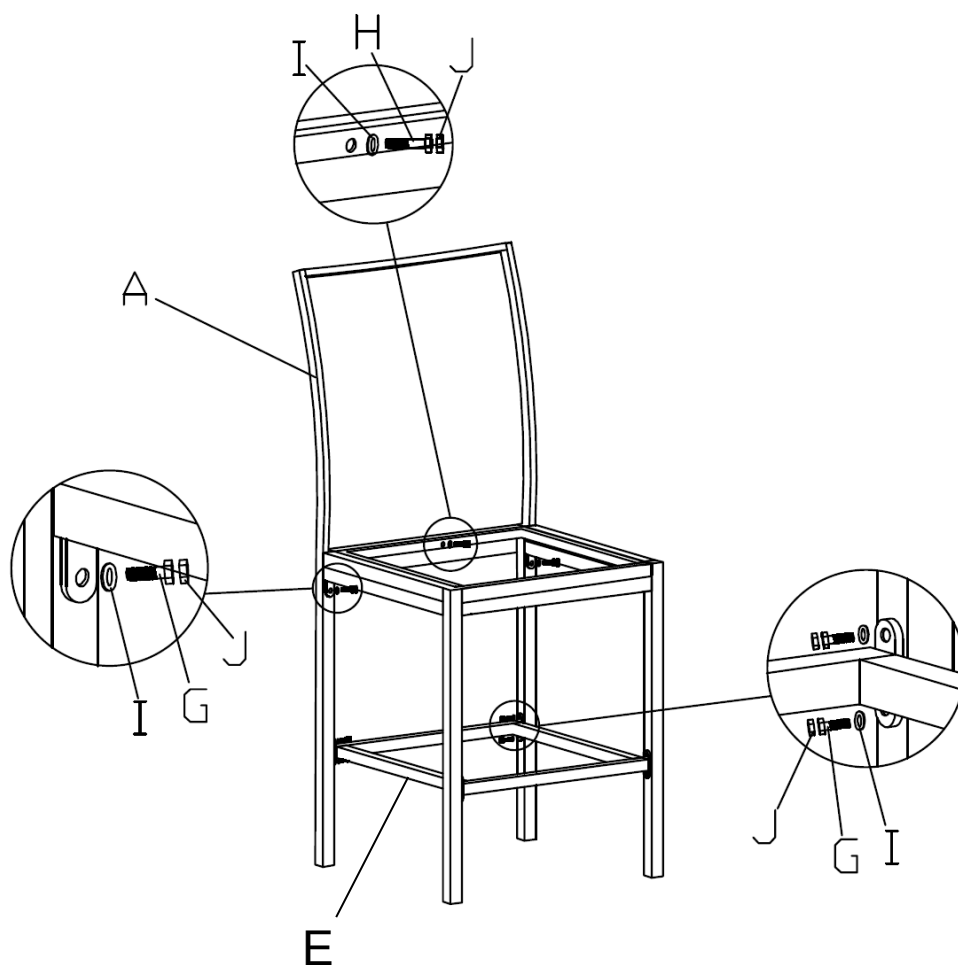
**STEP 1:** Attach the seat panel (B) to the front left leg (D) with 2 long bolts (H) and 2 washers (I). Attach the support frame (E) to the front left leg (D) with 2 short bolts (G) and 2 washers (I). Please pay attention to the front and rear of the support frame (E).



**STEP 2:** Attach the front right leg (C) to the seat panel with 2 long bolts (H) and 2 washers (I). Attach it to the support frame (E) with 2 short bolts (G) and 2 washers (I).



**STEP 3:** Attach the back panel (A) to the seat panel (D) with 1 long bolt (H) and 1 washer (I) at the middle, 2 short bolts (G) and 2 washers (I) at both sides. Attach it to the support frame (E) with 4 short bolts and 4 washers (I).



**STEP 4:** Fully tighten all the bolts using the wrench (K). Cover the bolts with the plastic caps (J). Put on the cushion (F). Assembly is complete. **REPEAT STEP 1 TO STEP 4 FOR ANOTHER CHAIR.**

