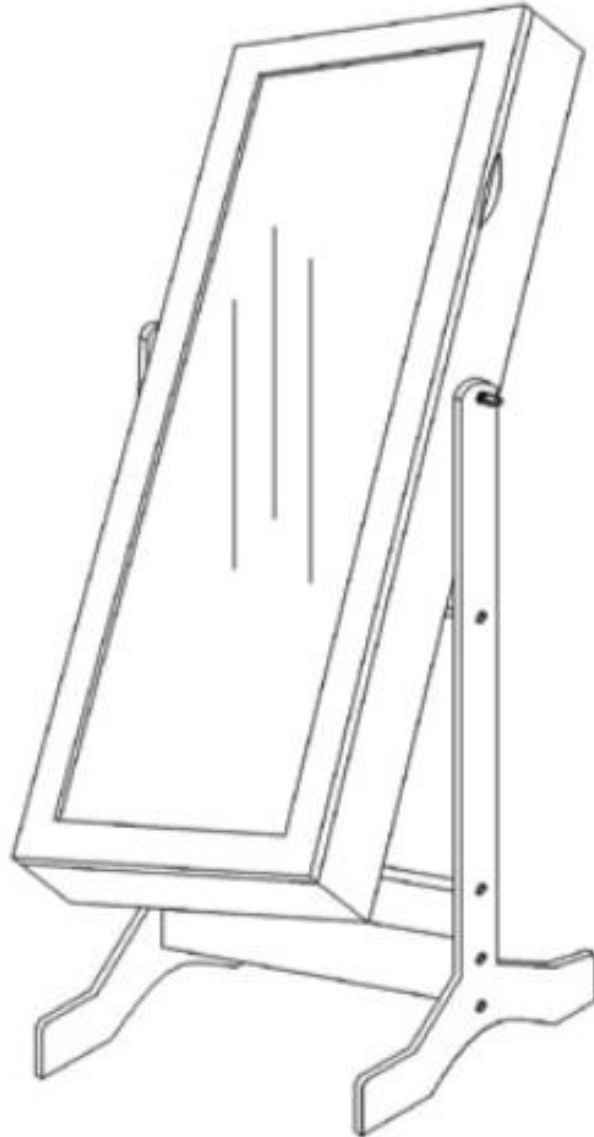


# hayneedle



ITEM NAME: JEWELRY ARMOIRE CHEVAL MIRROR

SKU: PSM076-1/ PSM077-1/ PSM078-1/ PSM290-1/ PSM291-1



For assistance with assembly, please contact manufacturer's customer service



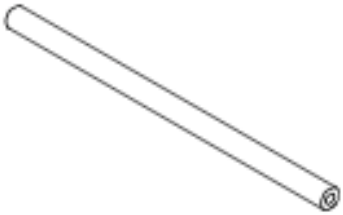
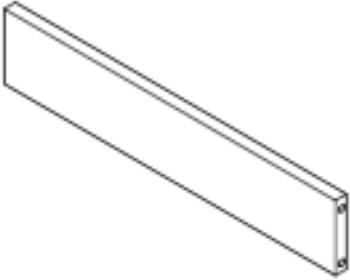
1-888-529-6524

## PRE-ASSEMBLY PREPARATION

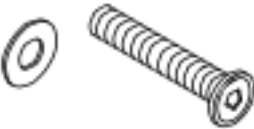



**WARNING! DO NOT LET CHILDREN PLAY IN OR AROUND THE UNIT DUE TO THE POSSIBLE RISK OF FINGER ENTRAPMENT**

- Please read through this instruction before beginning assembly.
- Two adults assembly is recommended.
- Clear out the space for assembly and lay out all parts base on Parts List, extra room will allow you to easily determine if all the pieces are present.
- Save all packing materials until assembly is complete to avoid accidentally discarding smaller parts or hardware.
- Keep small parts and pieces away from children until fully assembly.
- Wait to fully tighten the bolts until all have been inserted and hand tightened.
- Please check for any loose screws and tighten them before you use.

## PANEL AND FITTINGS IDENTIFICATION

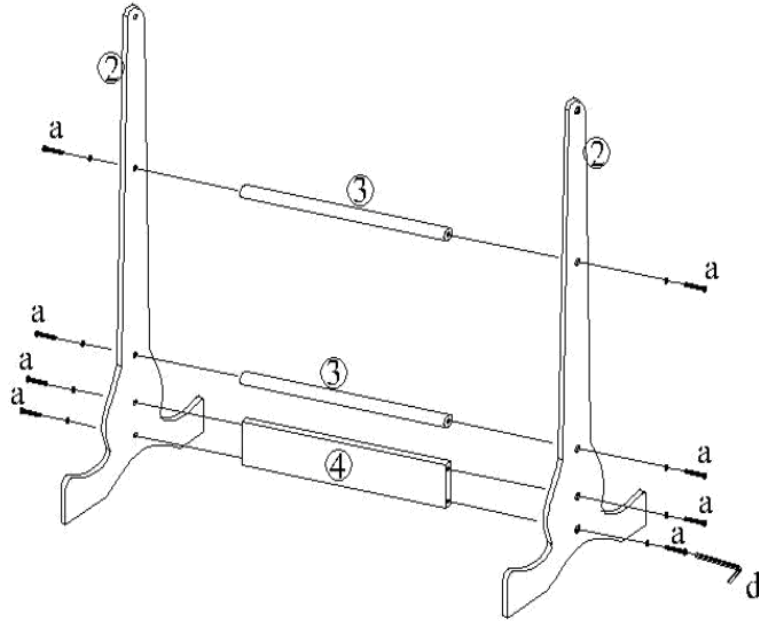
<p>Jewelry Cabinet (1)</p>  <p>Qty: 1</p>	<p>Leg (2)</p>  <p>Qty: 2</p>	<p>Round Wood (3)</p>  <p>Qty: 2</p>
<p>Across Bar (4)</p>  <p>Qty: 1</p>		

## HARDWARE LIST

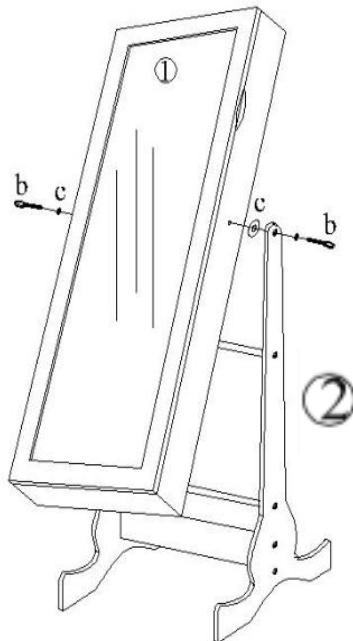
<p>Bolt Washer (A)</p>  <p>Qty: 8</p>	<p>Bolt Washer (B)</p>  <p>Qty: 2</p>	<p>Washer (C)</p>  <p>Qty: 2</p>	<p>Allen Key (D)</p>  <p>Qty: 1</p>
--	--	--	--

## STEP-BY-STEP ASSEMBLY

**STEP 1:** Assemble the two legs (2) with round wood (3) and across bar (4) using bolt & washer (A) and Allen Key (D).



**STEP 2:** Attach the jewelry cabinet (1) to the legs (2) using bolt & washer (B) and washer (C).



**STEP 3:** Assembly is complete.

