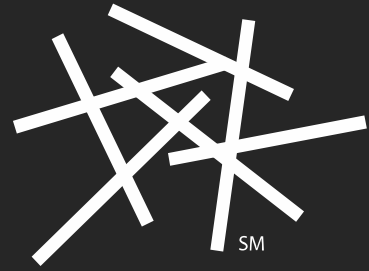


hayneedle



ITEM NAME: Coral Coast Pleasant Bay 4 ft. Curved Back Outdoor Glider Loveseat

SKU: NWF027 / NWF028



**For assistance with assembly, please contact the
Customer Care Center
1-888-880-4884**

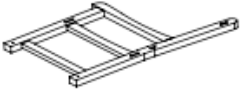
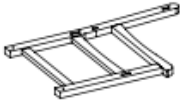
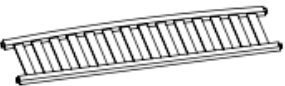




PRE-ASSEMBLY PREPARATION:











THIS PACKAGE MAY CONTAIN SMALL ITEMS WHICH SHOULD BE KEPT AWAY FROM CHILDREN

- Please check that all parts and hardware are included before beginning assembly.
- Save all packing materials until assembly is complete to avoid accidentally discarding smaller parts or hardware.
- Read through the preparation and assembly instructions in full before beginning assembly.
- Please use CAUTION AND CARE WHEN LIFTING the product to avoid personal injury and (or) damage to the product.
- For ease of assembly, two adults are recommended.
- Assembly time: Approximately 30 minutes.

PANEL AND FITTINGS IDENTIFICATION:

ID	PARTS	Q'TY
A	 Left Arm	1Pc
B	 Right Arm	1Pc
C	 Back Frame	1Pc
D	 Seat	1Pc
E	 Support rail	2Pcs
F	 Leg Frame	2Pcs
G	 Support rail	3Pcs

HARDWARE LIST:



ID	HARDWARE NAME	Q'TY
1	 Screw 7x90 mm	14Pcs
2	 Allen key 4x60	2Pcs
3	 Screw 4x20 mm	4Pcs
4	 Swing	4Pcs
5	 Bolt 8x35 mm	8Pcs
6	 Bolt 8x15 mm	8Pcs
7	 Washer 8x20mm	16Pcs
8	 Screw 4x30 mm	4Pcs

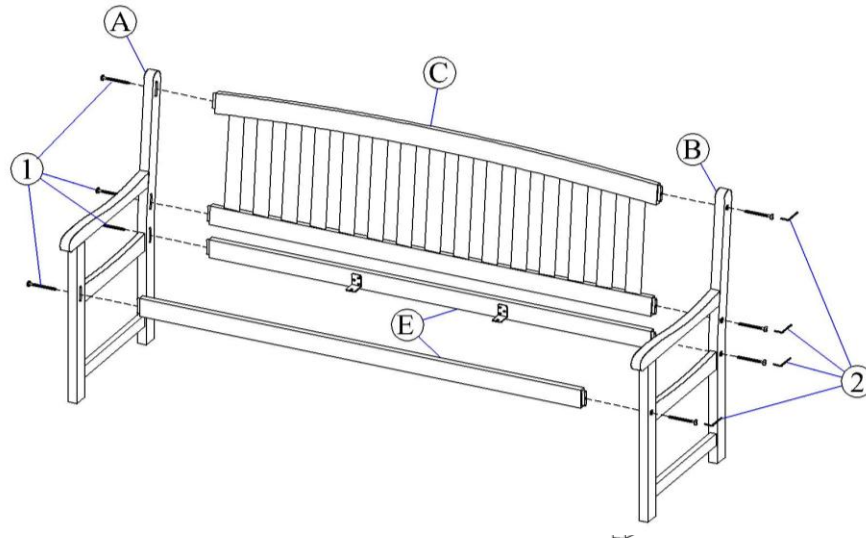
STEP-BY-STEP ASSEMBLY:

1

STEP 1: Attach the Left Arm (A) to the back Frame (C) and two supports (E), using Allen key (2) to tighten four Screws 7x90 mm (1).



Attach the Right Arm (B) to the back Frame (C) and two supports (E), using and Allen key (2) to tighten four Screws 7x90 mm (1).

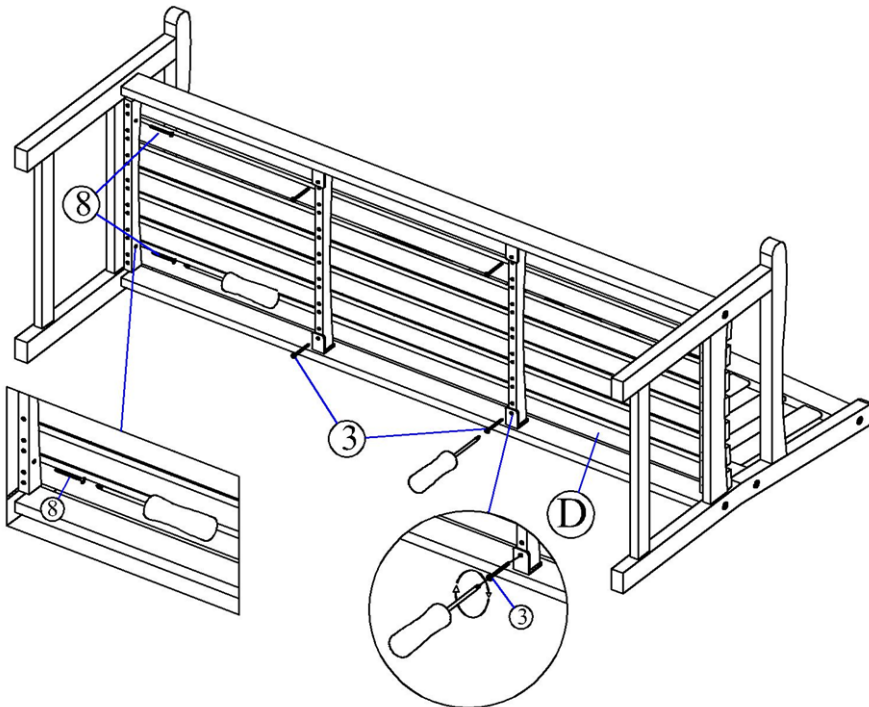
ID	HARDWARE NAME	Q'TY
1	 Screw 7x90 mm	8 pcs
2	 Allen key 4x60	1 pc



2

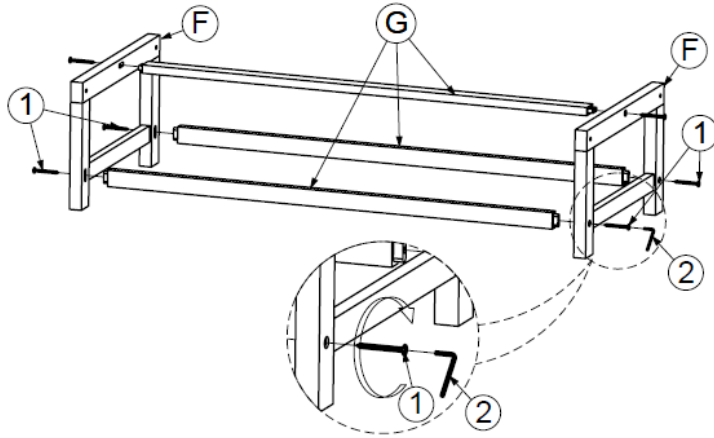
STEP 2: Put the seat (D) on the frame, using screwdriver to tighten eight Screws 4x30mm



ID	HARDWARE NAME	Q'TY
3	 Screw 4 x 20mm	4Pcs
8	 Screw 4 x 30mm	4Pcs



3

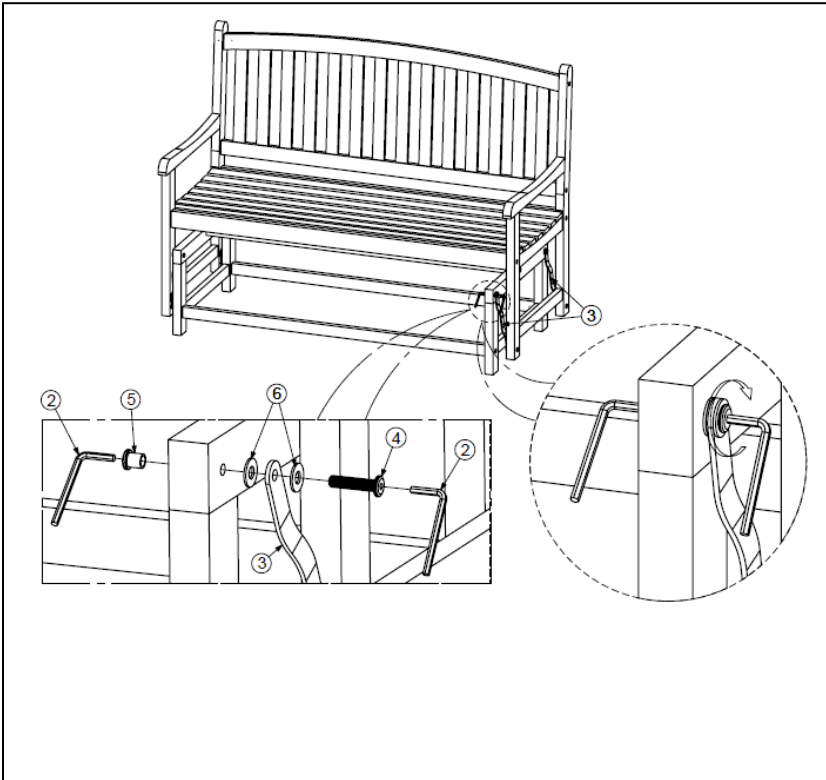
STEP 3: Attach two legs (F) and three rails (G), using Allen key (2) to tighten six Screws 7x90mm (1)


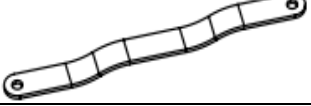





ID	HARDWARE NAME	Q'TY
1	 Screw 7x90 mm	6 pcs
2	 Allen key 4x60	1 pc

4

STEP 4: Attach the leg frame to the bench, using Allen key (2) to tighten four swings (3), eight bolts 8x35 mm (5), eight bolts 8x15mm (6) and sixteen washer 8x20mm (7).



ID	HARDWARE NAME	Q'TY
2		2Pcs
4		4 pcs
5		8 Pcs
6		8 pcs
7		16 pcs

MAINTENANCE AND CARE TIPS FOR OUTDOOR WOOD FURNITURE

The best way to preserve and extend the life of your outdoor wood furniture is to cover it with a waterproof cover when it's not in use, store it in a cool, dry place like a garage or shed during the winter months, and keep the wood hydrated with products like linseed oil a couple times per year. The less exposure your wood furniture has to sun, wind, rain, and snow, the longer it will last. Woods that are stained or painted should be sanded and re-stained or repainted as needed to protect the elements from penetrating the surface. Wood left in direct contact with wet surfaces will quickly become saturated and rot. When wood does get wet, dry it off as quickly as possible.

It's also important to place your outdoor wood furniture on a surface where water won't pool. A patio or deck is an ideal spot, and you should consider paving stones or a bed of rocks for wood furniture out in the garden. Wood left in direct contact with wet surfaces will quickly become saturated and rot. When wood does get wet, dry it off as quickly as possible or leave it out in the sun to dry.

Frequently exposed to harsh conditions or damp surfaces, wood furniture will begin to show signs of wear and deterioration. Signs of damage may include checking (cracking or splitting), swelling, rotting, and discoloration. In addition to protective covers and off-season storage, you can further prevent this type of damage by keeping woods well-hydrated with products like linseed oil. Saturate your furniture with the oil several times per year. Well-oiled wood will be better-protected from the elements and will retain its color and smooth surface longer. Woods that are stained or painted should be sanded and re-stained or repainted as needed to protect the elements from penetrating the surface.

Take time to learn more about how your particular type of wood tends to weather. Some woods, like pine, will require frequent staining or oiling, while a wood like cedar has natural oils that make it resistant to cracking and moisture rot. Woods like teak will turn a silver grey when left untreated, and many outdoor wood furniture owners look forward to this transformation.

Finally, dirt build-up leads to deterioration, so keeping your outdoor wood furniture clean will give it a longer life. Clean it well two or three times per year with water, mild soap, and a soft cloth. (This is also the perfect time for a periodic hardware check.) We recommend using a product specifically designed for cleaning wood furniture. Hose it down before you start to remove cobwebs and caked-on dirt. Do not use abrasive cleaners, bleach, or scouring products that will affect the finish. Dry the furniture thoroughly when done. Poolside furniture should be hosed down after each use to minimize chlorine damage.