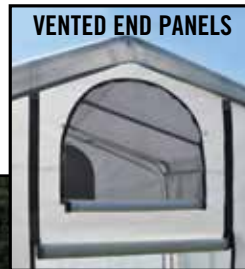


GREENHOUSE-IN-A-BOX® EASY FLOW™ featuring SIDE VENTS



10 x 20 x 8 ft. 3 x 6,1 x 2,4 m

READY TO GROW BACKYARD GREENHOUSE.

The GrowIT Greenhouse-in-a-Box® with EasyFlow™ roll-up side vents delivers quality construction, quick and easy assembly and best in class value. Ready to build out of the box!



1-3/8" / 3,5 cm high-grade steel frame with DuPont™ Premium powder coat finish resists chipping, peeling, rust and corrosion.



ClearView® triple-layer, heat bonded RipStop translucent cover is waterproof and UV-treated inside and out. ClearView® cover provides enhanced illumination designed specifically for plant growth and protection.



Patent Pending ShelterLock® 3X Steel Stabilizers ensure rock solid stability. Delivers a stable, more durable shelter.



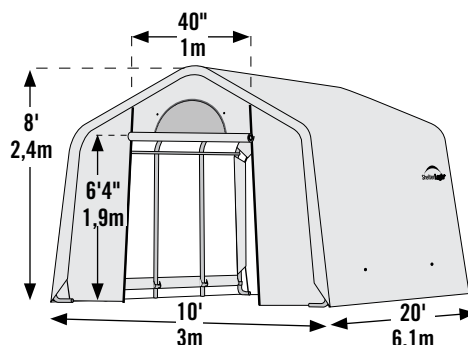
EasyFlow™ side panels provide airflow and temp control. Bungee fasteners hold sides open. Hook and loop fastener strips keep sides down.



Ratchet Tite™ tensioning for solid cover anchoring.



Easy Slide Cross Rail™ system locks down cover and squares up frame.



Model #70658

Package Includes:

- (1) 10 x 20 x 8 ft. / 3 x 6,1 x 2,4 m 5 Rib All Steel Frame
- (1) Translucent Polyethylene Cover
- (1) Double Zippered Front Door with Vent
- (1) Rear Panel with Vent
- Bungee Cords
- 15" / 38,1 cm Auger Anchors
- (8) Ratchet Tie-Downs
- Complete Hardware Kit
- Easy Step-by-Step Instructions



Packaging Specifications:

- 1 Retail box
- Container Qty: 320
- Total box weight: 147.9 lbs. / 67,1 kg
- Box dimensions:
43.7 x 20.1 x 9.4 in.
111 x 51 x 24 cm



© 2013 ShelterLogic Corp.
ShelterLogic®, GrowIt® and Greenhouse-in-a-Box® are registered trademarks of ShelterLogic Corp.
All rights reserved.

150 Callender Road, Watertown, CT 06795
800.932.9344 • www.shelterlogic.com • 12/13