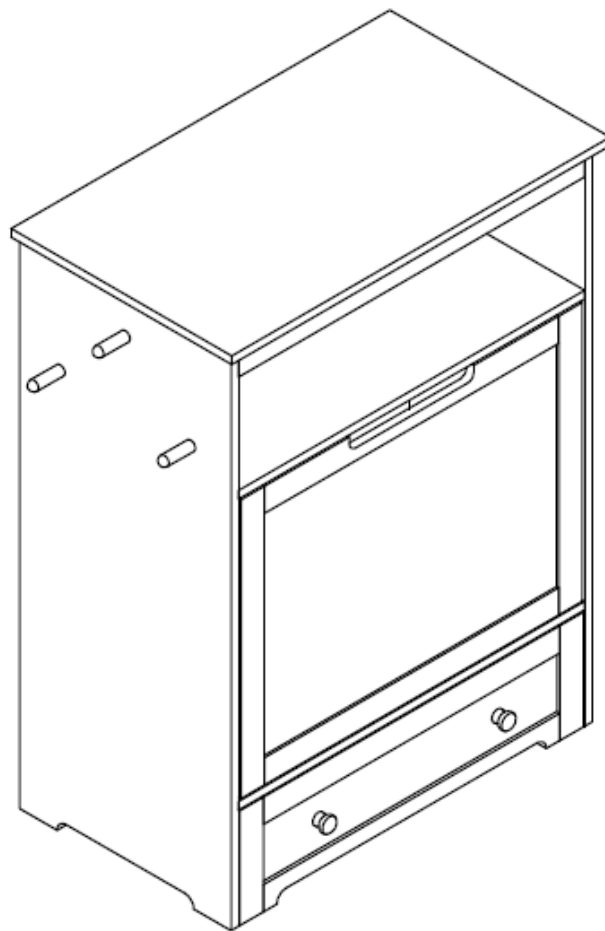


hayneedle

ITEM NAME: Boomer & George Pet Feeder Station

SKU: MP149-1



**For assistance with assembly, please contact customer service
1-888-880-4884**

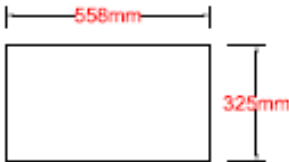

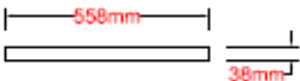
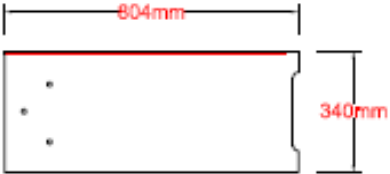
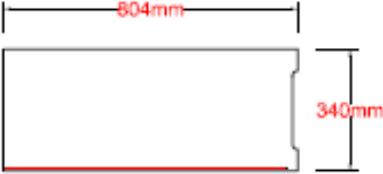
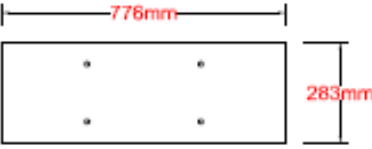
PRE-ASSEMBLY PREPARATION:



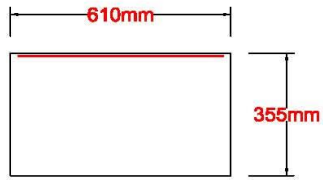
DO NOT LET CHILDREN PLAY IN OR AROUND THE UNIT DUE TO THE POSSIBLE RISK OF FINGER ENTRAPMENT

- Please read through this instruction before beginning assembly.
- Two adults assembly is recommended.
- Clear out the space for assembly and lay out all parts base on Parts List, extra room will allow you to easily determine if all the pieces are present.
- Save all packing materials until assembly is complete to avoid accidentally discarding smaller parts or hardware.
- Keep small parts and pieces away from children until fully assembly.
- Please check for any loose screws and tighten them before you use.
- Be sure to clear an area of space for assembly that is clean, smooth, and clear of debris.

PANEL AND FITTINGS IDENTIFICATION:

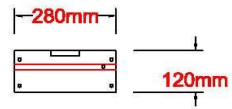
 <p>Shelf Panel (A) Qty:2</p>	 <p>Back Rail (B) Qty:1</p>
 <p>Front Rail (C) Qty:1</p>	 <p>Left Panel (D) Qty:1</p>
 <p>Right Panel (E) Qty:1</p>	 <p>Back Panel (F) Qty:2</p>

PANEL AND FITTINGS IDENTIFICATION:



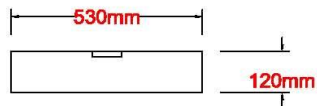
Top panel (G)

Qty:1



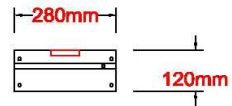
Drawer/Left Panel (H)

Qty:1



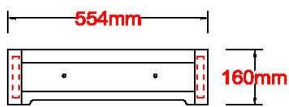
Drawer/Back Panel (I)

Qty:1



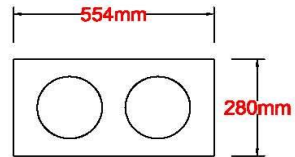
Drawer/Right Panel (J)

Qty:1



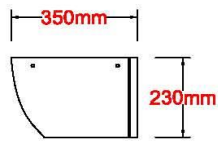
Drawer/Front Panel (K)

Qty:1



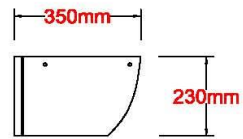
Drawer/Top Panel (L)

Qty:1



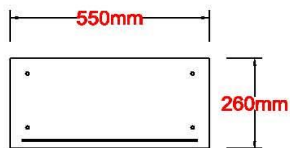
Bucket/Left Panel (M)

Qty:1



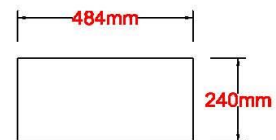
Bucket/Right Panel (N)

Qty:1



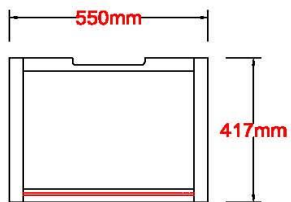
Bucket/Back Panel (O)

Qty:1



Bucket/Base Plate (P)

Qty:1



Bucket/Front Panel (Q)

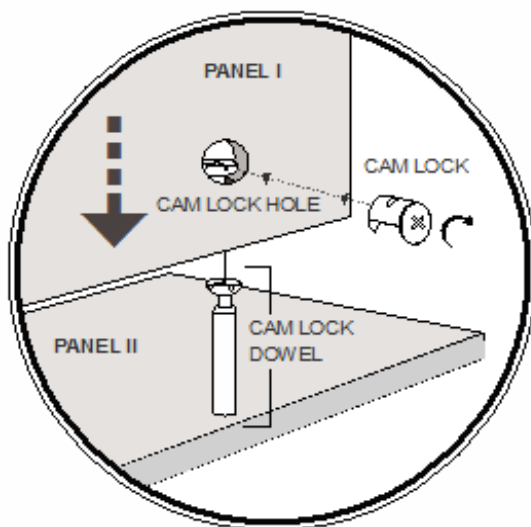
Qty:1

HARDWARE LIST:

Locking Bolt (1) Qty:18+2	Wooden (2) Qty:24+4	Small Cam (3) Qty:16+2	Plastic track (4) Qty:2
Screw (5) Qty:4+1	Left Hinge (6) Qty:1	Right Hinge (7) Qty:1	Screw (8) Qty:8+2
Knob (9) Qty:2	Screw (10) Qty:12+2	Screw (11) Qty:2	Bowl (12) Qty:2
Wood Hook (13) Qty:3	Back Bone (14) Qty:1	Screw (15) Qty:8+1	Shaft (16) Qty:2
Cover (17) Qty:18+2	Plug (18) Qty:2	Large Cam (19) Qty:2	

CAM LOCK INSTRUCTION

This product is assembled with a cam lock set



STEP 1: Insert Cam lock into the cam lock hole of panel I. Cam lock arrow should be pointing towards the cam lock dowel insertion hole.

STEP 2: Insert wooden dowel into panel II.

STEP 3: Connect panel I and panel II by inserting the cam lock dowel through the hole to while the cam lock arrow is pointing.

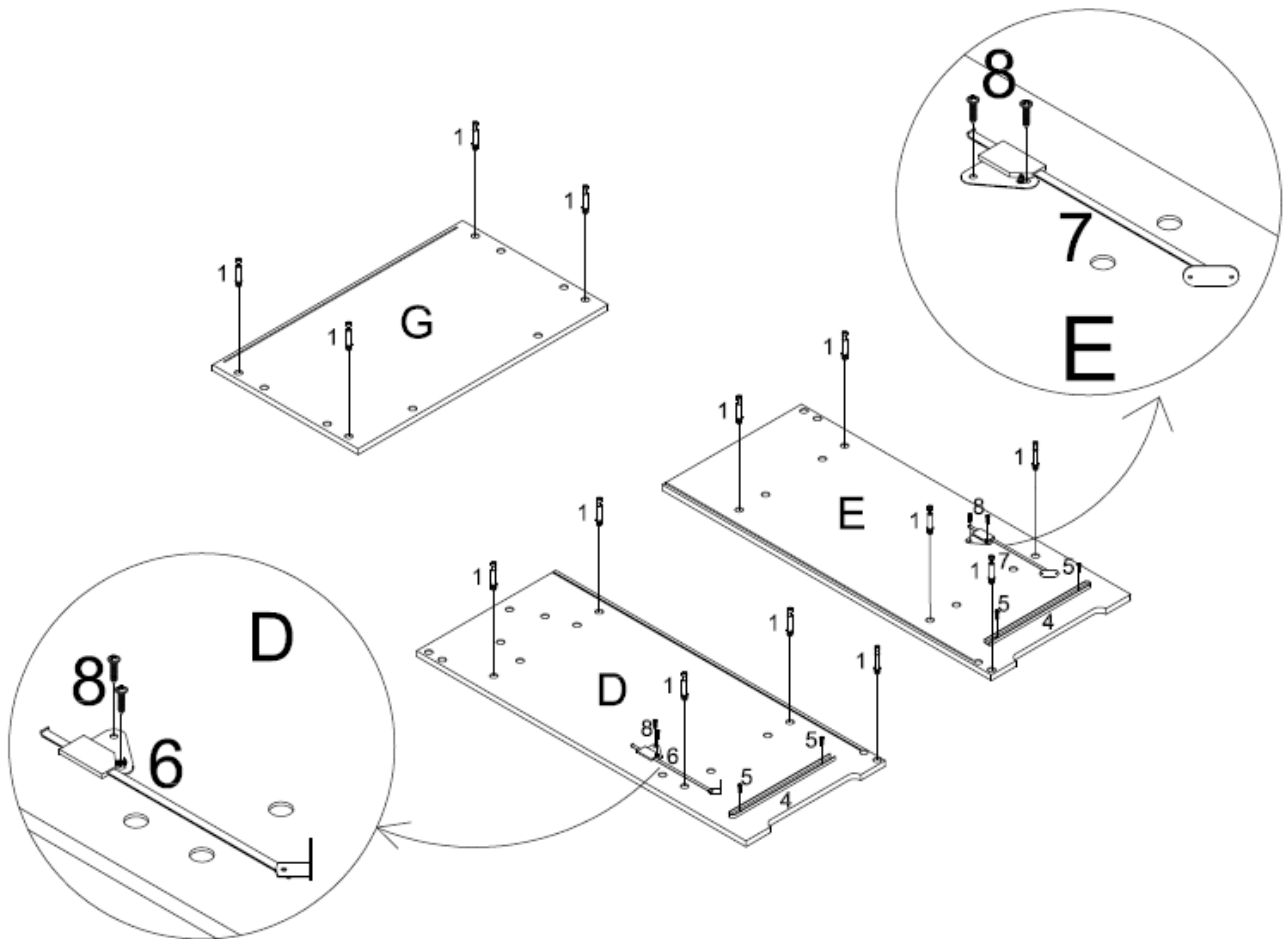
STEP 4: Press panel I and panel II together.

STEP 5: Lock panels together by turning cam lock clockwise using a screwdriver. The cam lock and dowel should make a click sound, indicating they are locked together.

STEP-BY-STEP ASSEMBLY:

1

STEP 1: Secure the Cam Locks (Part 1, x4) to Panel G using a screwdriver. Secure the Cam Locks (Part 1, x5) to Panel D using a screwdriver. Secure Part 4 to Panel D using Screw 5 (x2). Attach the triangular-shaped portion of Hinge 6 to Panel D using Screw 8 (x2) and a screwdriver. Secure the Cam Locks (Part 1, x5) to Panel E using a screwdriver. Secure Part 4 to Panel E using Screw 5 (x2). Attach the triangular-shaped portion of Hinge 7 to Panel E using Screw 8 (x2) and a screwdriver.



2

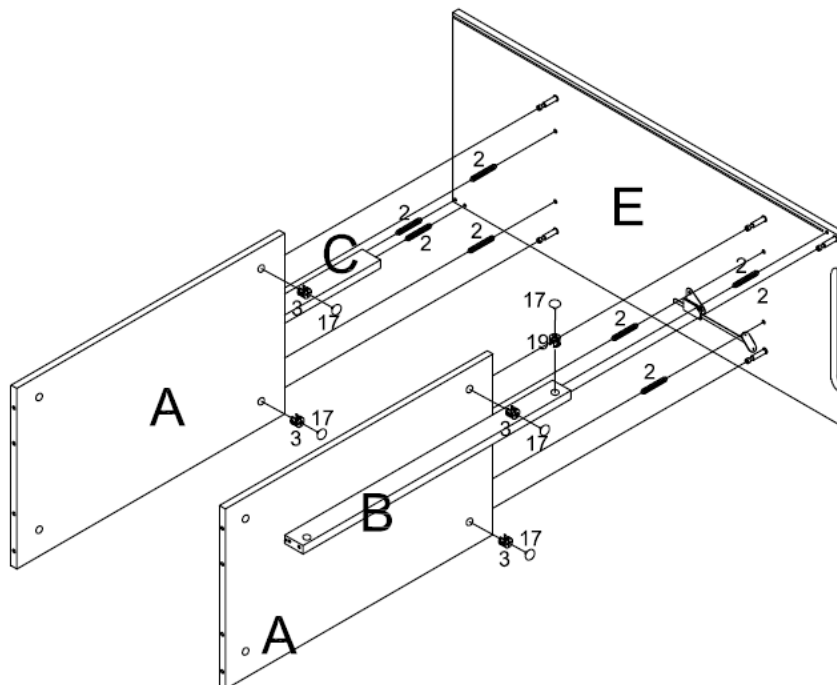
STEP 2: Insert the wooden dowels (Part 2, x4) into Panel E. Insert the Cam Locks (Part 3, 2) into Panel A with the arrows of the Cam Locks oriented towards the opening. **PLEASE NOTE:** The three, small pre-drilled holes on the end of Panel A should be oriented to the opposite side, of Panel E, as the Hinge Part 7. Connect Panel A to Panel E. Lock the Cam Locks (Part 3, x2) using a Philips screwdriver. Cover the Cam Locks (Part 3, x2) with the Cam Lock Caps (Part 17, x2). Connect Part C to Part E by the wooden dowels inserted, earlier.

Insert the Cam Locks (Part 3, 2) into Panel A with the arrows of the Cam Locks oriented towards the opening.

***PLEASE NOTE:** The three, small pre-drilled holes on the end of Panel A (x2) should be oriented to the opposite side, of Panel E, as the Hinge Part 7, just as was done with Panel A.*

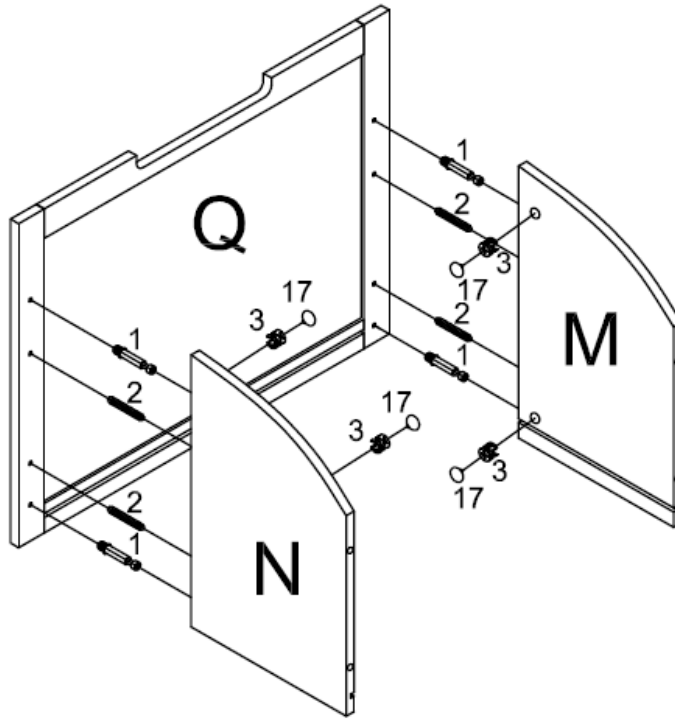
Connect Panel A to Panel E. Lock the Cam Locks (Part 3, x2) using a Philips screwdriver. Cover the Cam Locks (Part 3, x2) with the Cam Lock Caps (Part 17, x2).

Insert a Cam Lock (Part 3) into Part B. Connect Part B to Part E by the single Cam Lock Screw (Part 3). Lock the Cam Lock using a Philips screwdriver. Cover the Cam Locks (Part 3) with the Cam Lock Cap (Part 17).

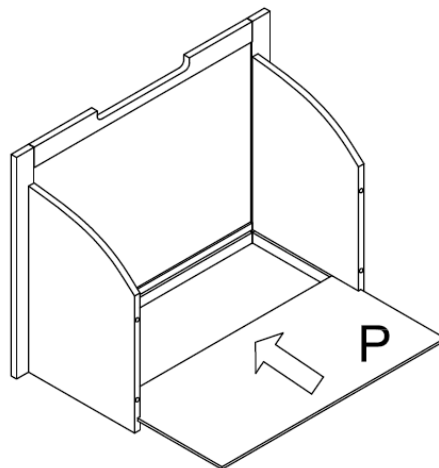


3

STEP 3: Screw the Cam Lock Screws (Part 1, x4) to Drawer Front (Part Q). Insert the wooden dowels (Part 2, x4) into Part Q. Insert the Cam Locks (Part 3, x2) into Part N. Connect Part N to Part Q and lock the cam locks using a Philips screwdriver. Cover the Cam Locks with the Cam Lock Caps (Part 17, x2). Insert the Cam Locks (Part 3, x2) into Part M. Connect Part M to Part Q and lock the cam locks using a Philips screwdriver. Cover the Cam Locks with the Cam Lock Caps (Part 17, x2).

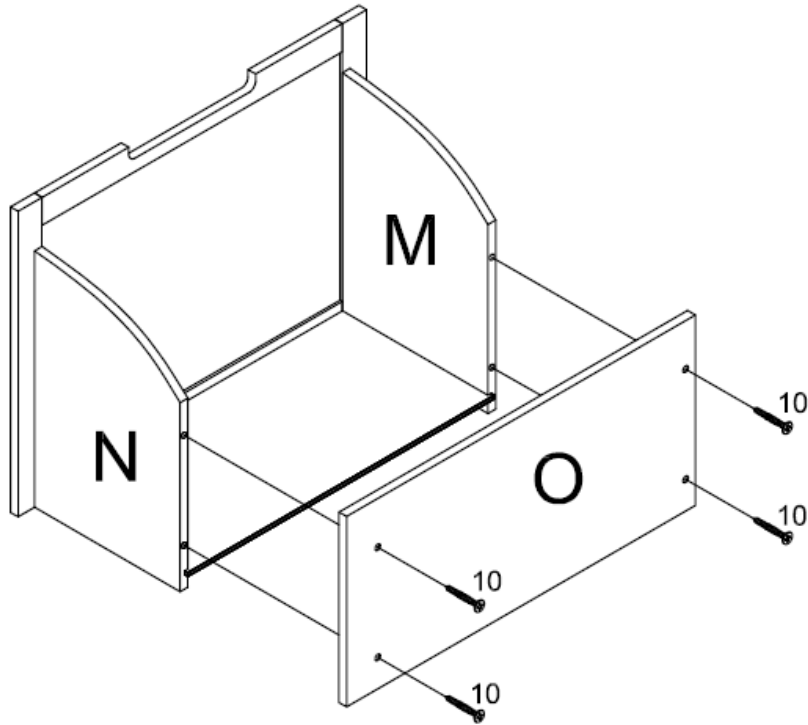
**4**

STEP 4: Slide the drawer bottom (Part P) into the drawer sides (Parts N and M) until it is flush with Part Q.

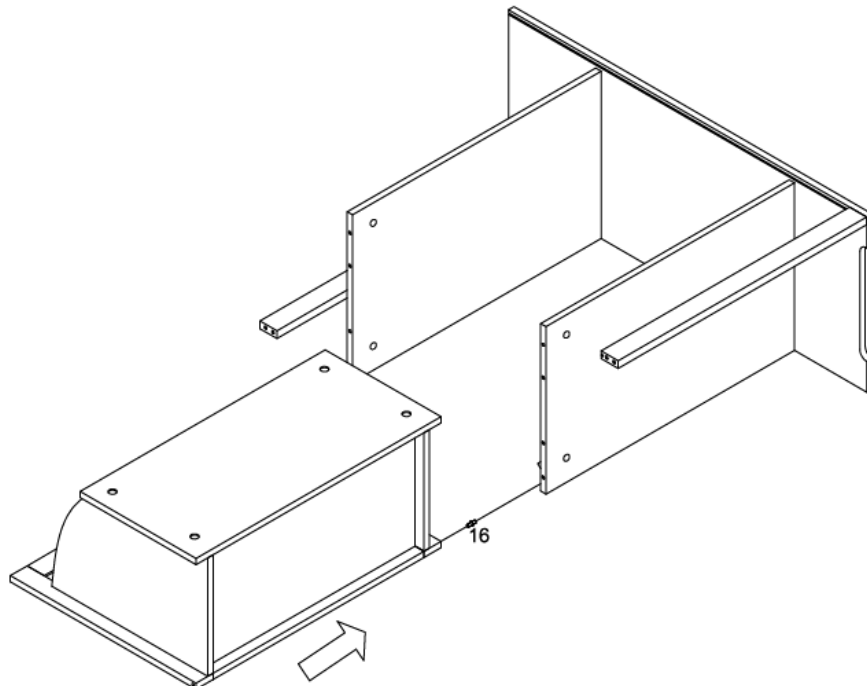


5

STEP 5: Attach the drawer back panel (Part O) to the drawer sides (Parts N and M) using Screw 10 (x4) and a screwdriver.

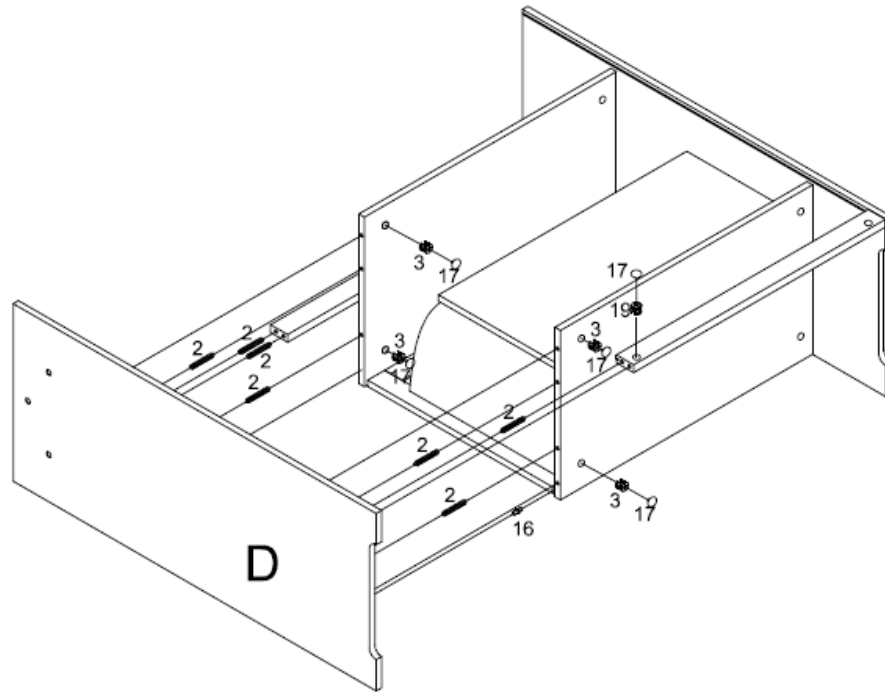
**6**

STEP 6: Slide the assembled drawer (Parts M, N, O, P and Q) towards Panel E and between Panels A and B. To control the movement of the assembled drawer, you will need to insert the ball bearing (Part 16) to the pre-drilled hole on Parts Q and E.

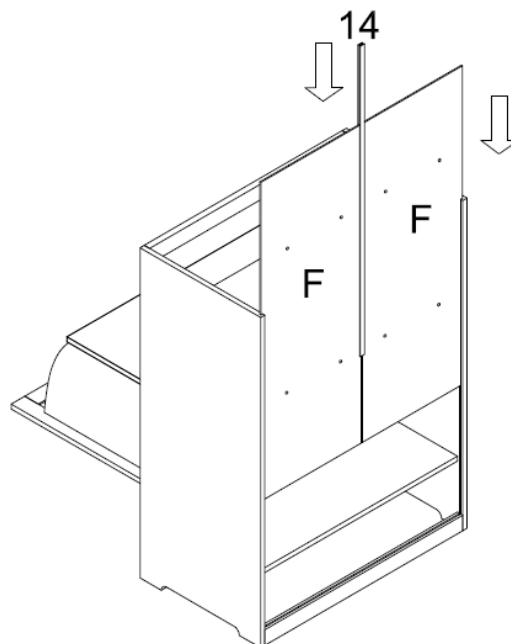


7

STEP 7: Insert the wooden dowels (Part 2, x8) into Part A (x2), Part B, and Part C. Insert the Cam Lock (Part 19) into Part B. Insert the second bearing (Part 16) into Part Q. Insert the Cam Locks (Part 3, x4) into Part A (x2). Slide the Cam Screws of Part D into the cam locks. Be sure that Part 16 also connected Part Q to Part D. Tighten the cam locks using a Philips screwdriver. Cover the Cam Locks with the Cam Lock Caps (Part 17, x5).

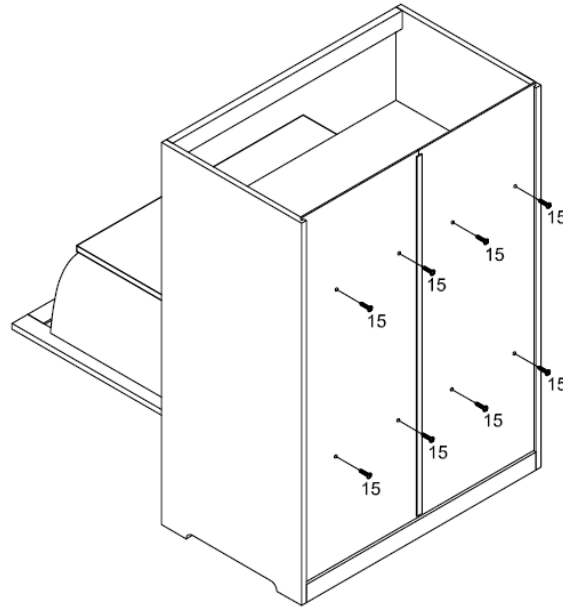
**8**

STEP 8: Set the unit upright, as shown below. Connect Part F (x2) together using Part 14. Slide the connected Parts F and 14 into the grooves of Parts D and E.

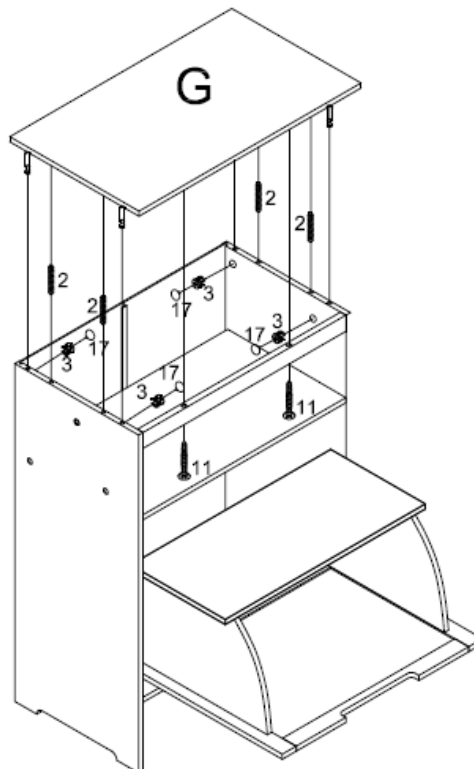


9

STEP 9: As described in Step 2, the position of the pre-drilled holes on Panel A (x2) needs to be oriented towards the back so that the back Panel (Part F, x2) can be secured easily to the structure. Attach the back panel (Part F, x2 and Part 14) to the shelf panels (Part A, x2) using Screw 15 (x8) and a screwdriver.

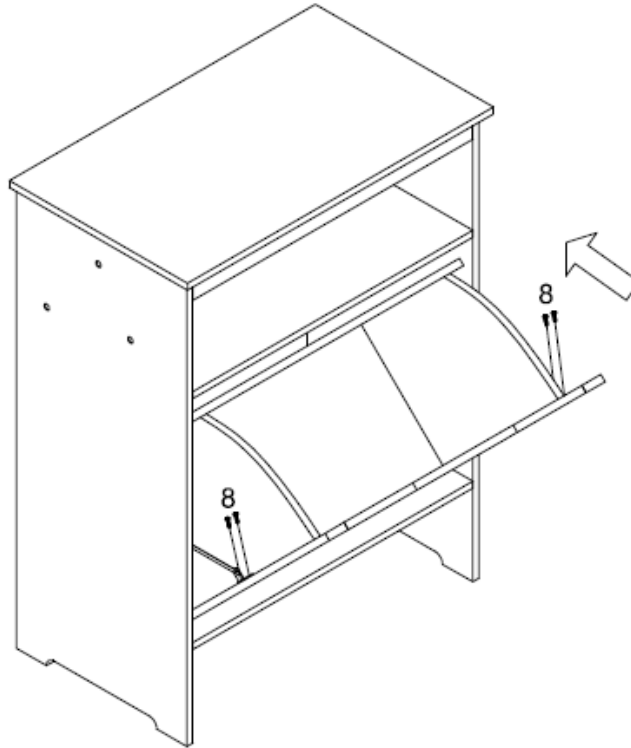
**10**

STEP 10: Insert the wooden dowels (Part 2, x4) into the side panels (Parts D and E). Insert the Cam Locks (Part 3, x4) into the side panels (Parts D and E). Slide the top panel (Part G) into place, locking the cam locks onto the cam screws using a Philips screwdriver. Connect Part C to Part G using Screw 11 (x2).



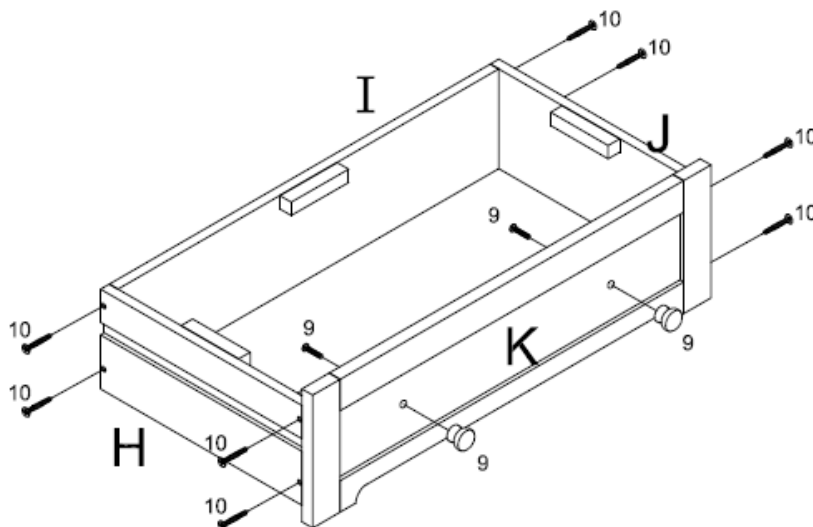
11

STEP 11: Open the drawer using the support of the bearings. Attach the hinge plates (Parts 6 and 7) to the pre-drilled holes on the drawer (Part Q) using Screw 8 (x4).



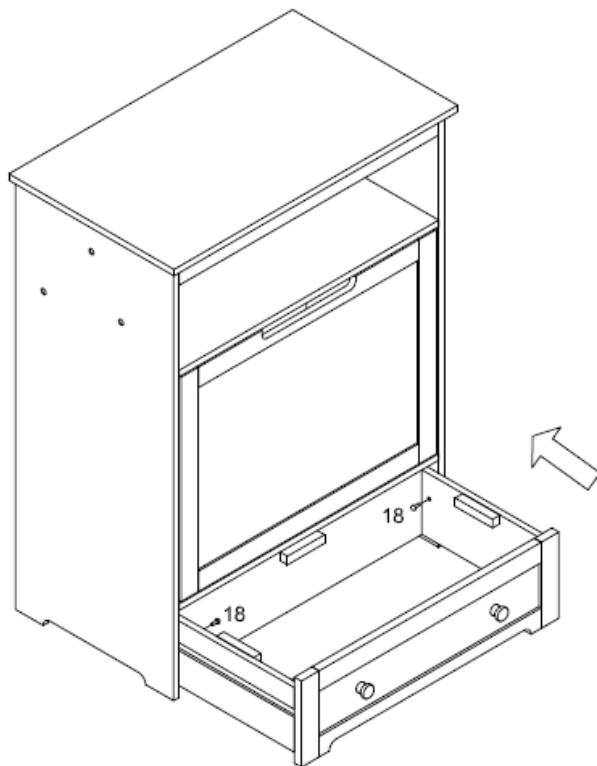
12

STEP 12: Attach Part H to Part K using Screw 10 (x2) with the runner tracks facing outward. Attach Part J to Part K using Screw 10 (x2) with the runner tracks facing outward. Attach Part I to Parts H using Screw 10 (x2). Attach Part J to Part I using Screw 10 (x2). Attach the drawer knobs (Part 9, x2) to the front of Part K.



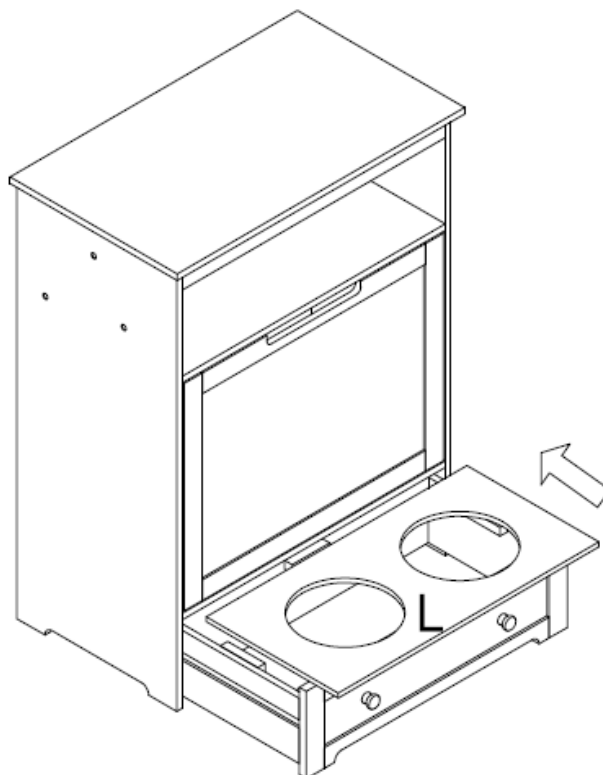
13

STEP 13: Slide the assembled drawer into place at the bottom of the feeder station.



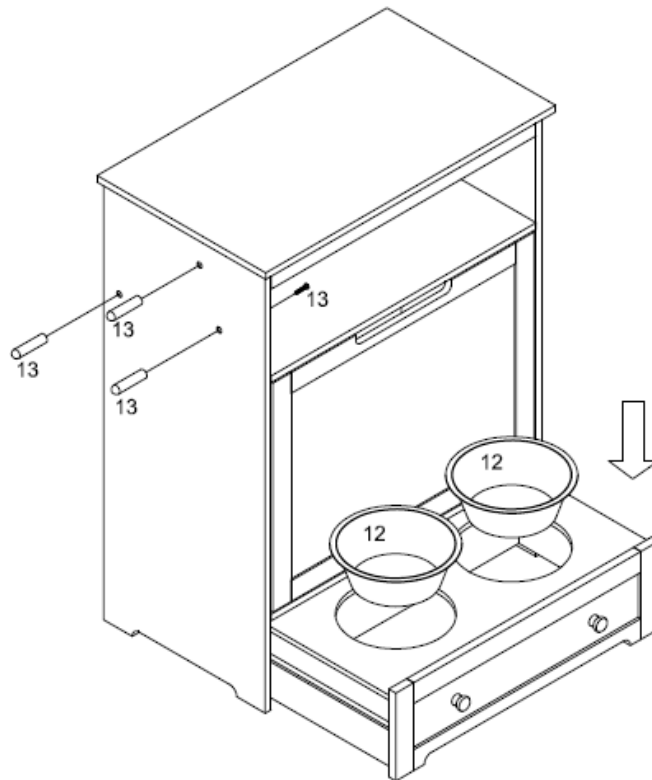
14

STEP 14: Place the bowl holder (Part L) into the drawer.



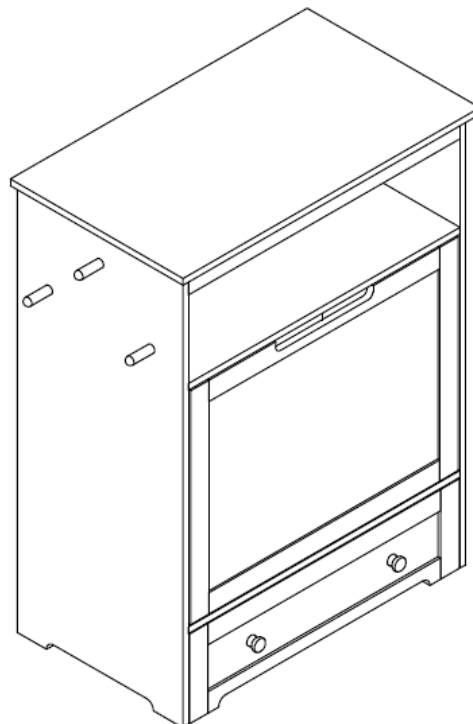
15

STEP 9: Set the food and water bowls (Part 12) into the bowl holder (Part L). Attach the hanging knobs (Part 13, x3) to the side panel.



16

Assembly is complete!



13/13