

MPS006 / MPS007 / MPS008 SF CAT WASHROOM™

Please check contents before assembly. If any items are missing or damaged, **do not take the unit back to the store.** Call 775-629-5029 for customer service and we will save you time by correcting any problems directly for you.

COMPONENTS		HARDWARE	
1 Left Panel (A)	1 Right Panel (B)		
1 Shelf Panel (C)	1 Floor Panel (D)		
1 Door Panel (E)	1 Top Panel (F)		
		TOOL REQUIRED	
1 Back Panel (G)	1 Towel Hanger (H)		
		* Power Tool NOT Recommended	

NOTE:

- * Read all instructions before starting
- * Assemble on rug or cardboard to prevent scratches to the floor and product.
- * To ensure proper assembly we have included the following guides:

		<p>Insert threads of Locking Bolts completely, and stop once threads are no longer visible.</p> <p>Do NOT overturn.</p>
--	--	---

Reference this guide when assembling all Locking Bolts (Hardware #1).

	<p>Only slight turn of Cams required.</p> <p>Do NOT overturn.</p>
--	---

Reference this guide when assembling all Cam Locks (Hardware #2a & #2b).

STEP 1

Attach the Towel Hanger (H) to the Right Panel (B) or Left Panel (A) using washer (#8) and nut (#7) on each end.

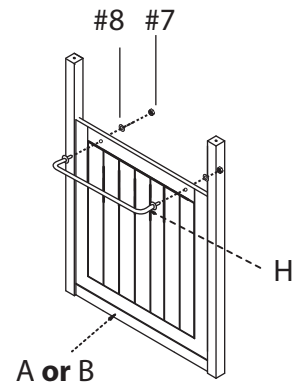


figure 1

STEP 2

Insert two Locking Bolts (#1) and one Wooden Dowel (#4) into the Right Panel (B).



Then attach the Right Panel to the Floor Panel (D) by inserting and tightening the Small Cams (#2a). Apply the Screw Covers (#3) onto of the Small Cams.

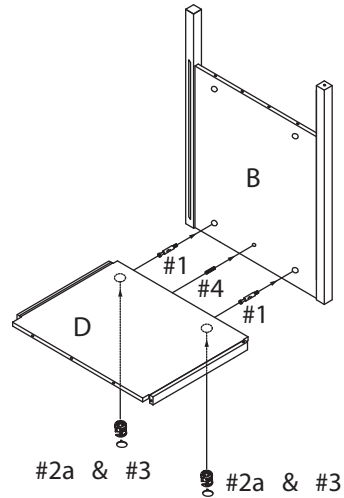


figure 2

STEP 3

Slide the Back Panel (G) into the slots of the Right and Floor Panel.

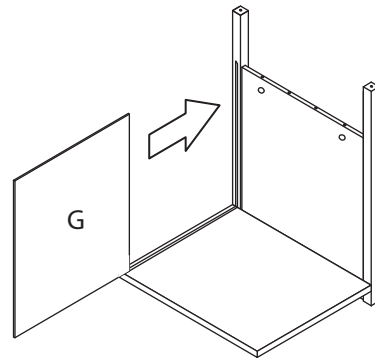


figure 3

STEP 4

Insert two Locking Bolts (#1) and one Wooden Dowel (#4) into the Left Panel (A).



Then attach the Left Panel (A) to the Floor Panel by inserting and tightening the Small Cams (#2a). Apply the Screw Covers (#3) onto the Small Cams.

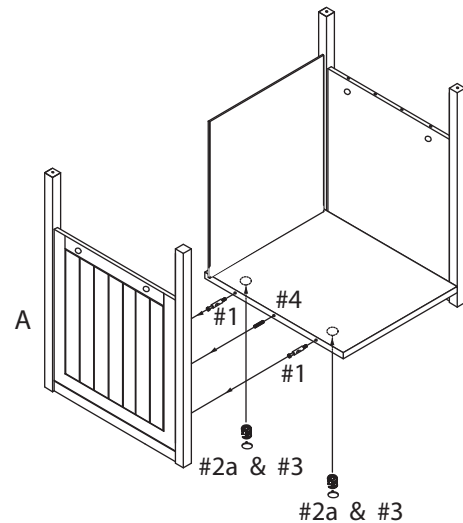


figure 4

STEP 5

Attach the Door Knob (#6) to the Door Panel (E).

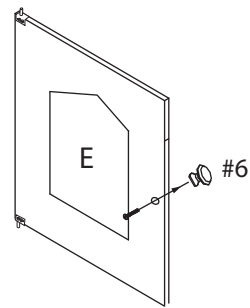


figure 5

STEP 6



Insert 4 Locking Bolts (#1) and 2 Wooden Dowels (#4) into the Shelf Panel (C).

Together, at the same time, attach the Shelf Panel (C) and Door Panel (E) to the other panels.

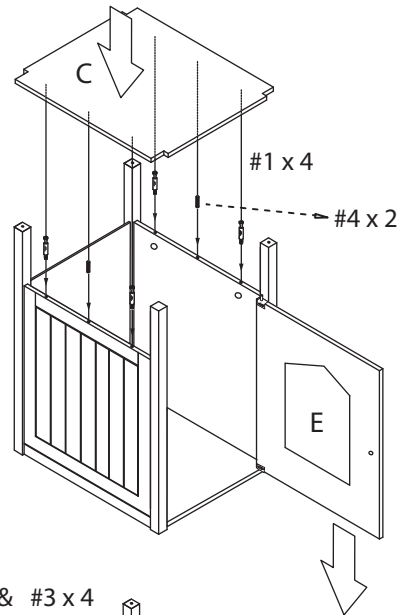


figure 6

STEP 7



Insert 4 Small Cams (#2a) into the holes on the side of both Left and Right Panels. Then apply the Screw Covers (#3) after fastening.

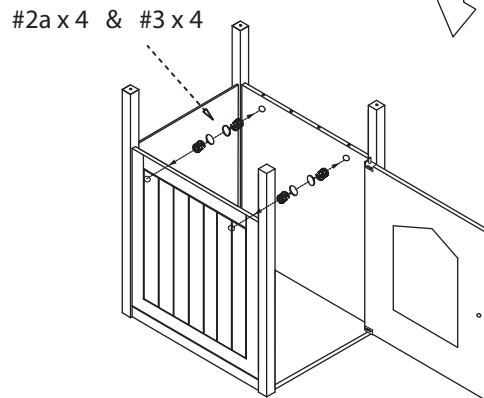


figure 7

STEP 8



Insert 4 Locking Bolts (#1) into the Top Panel (F).

Inset the Top Panel into the 4 posts of the Cat Washroom™. Secure with 4 Large Cams (#2b). Apply 4 Screw Covers (#3) to the Large Cams.

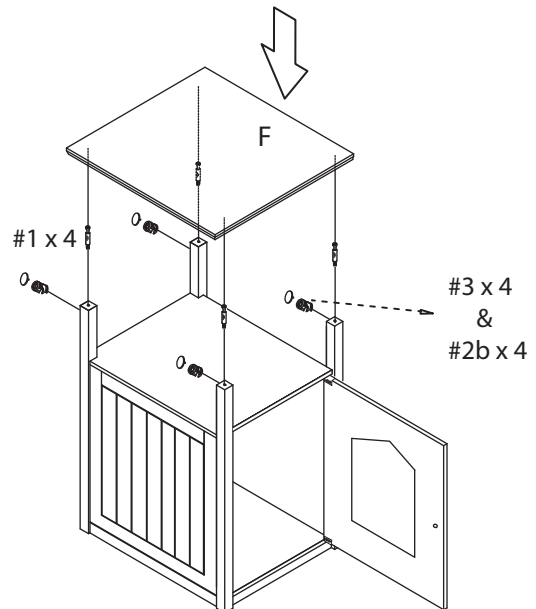
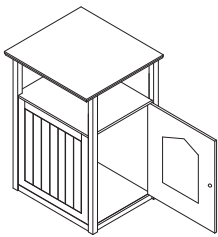


figure 8



MPS006 / MPS007 / MPS008 SF CAT WASHROOM™

STEP 9

To seal off the holes not used for the Towel Hanger, insert Wood Plugs (#5) into the holes on this side panel.

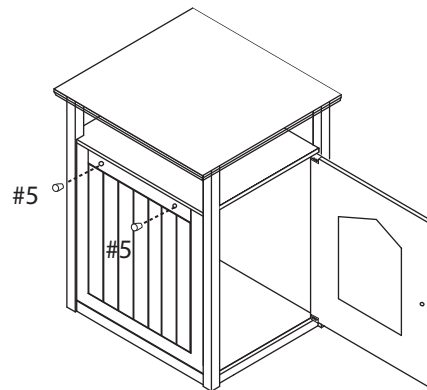


figure 9

TROUBLESHOOTING

Step 1: Towel Hanger Options

The option is available to attach the Towel Hanger to the Right or Left Panel. If you decide to change this position in the future, remove the wood plugs and exchange sides. The wood plugs may be easily removed by tapping the back of the plugs with a screwdriver.

Step 2: Assembly of Floor Panel

Ensure that the front lip on the floor panel is facing down.

Step 3: Back Panel Does Not Slide Into Side and Floor Panels

There may be dust or debris preventing the back panels from easily sliding into place. Clear the pathway carefully using a thin object or tool.

Step 9: Door Panel Catches on Floor Panel when being Opened or Closed

Use a screw driver to loosen the screws on the top hinge slightly. Once top hinge is loose, lift the bottom of the door slightly. Tighten back the screws on the top hinge.

CARE INSTRUCTIONS

Thank you for choosing MERRY PRODUCTS™ PET HOUSES AND PET BEDS. With little care and maintenance, MERRY PRODUCTS™ PET HOUSES AND PET BEDS will provide your pet with comfort and enjoyment for many years to come!

- To clean panels, use clean water on a damp cloth.
- When assembling MERRY PRODUCTS™ PET HOUSES AND PET BEDS, please handle all panels and/or hardware with care to avoid any possibilities of damages and/or injuries.

Merry Products, Corp.