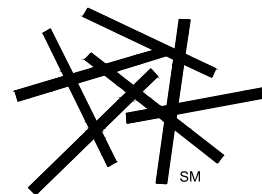
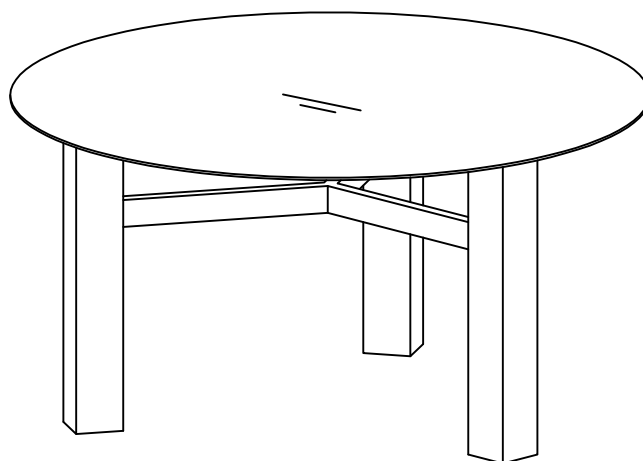


hayneedle



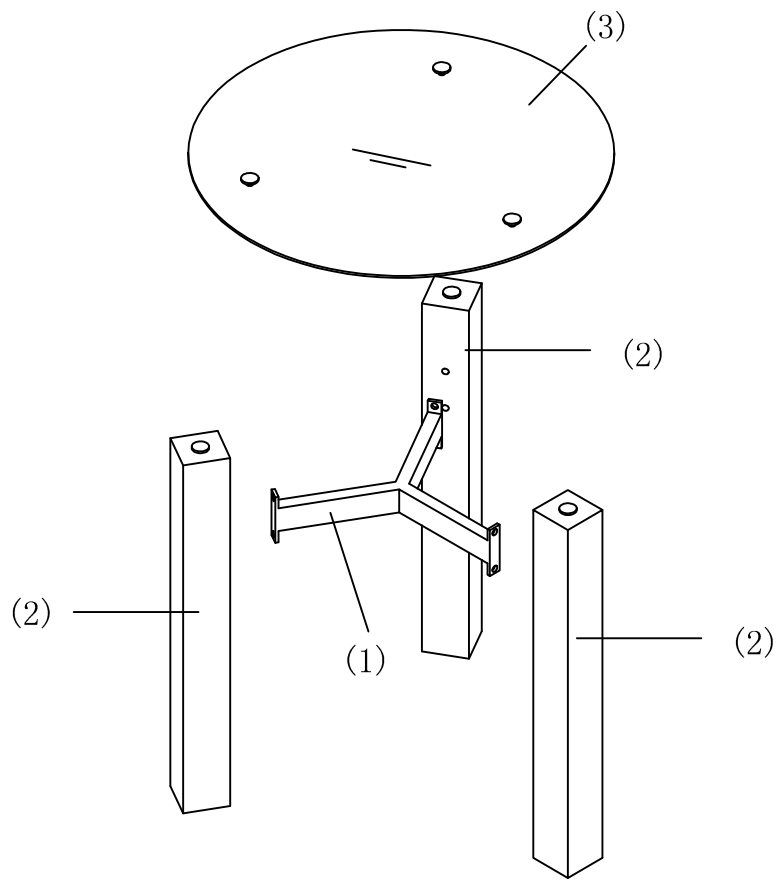
ITEM NAME : Belham Living Hanover Glass & Wood Coffee Table

SKU : MEGG066-1



For assistance with assembly, please contact
Hayneedle Customer Care Center
1-888-880-4884

STRUCTURAL DIAGRAM:



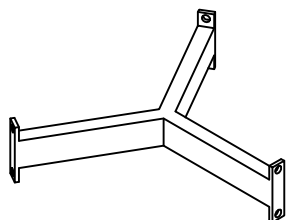
PRE-ASSEMBLY PREPARATION:



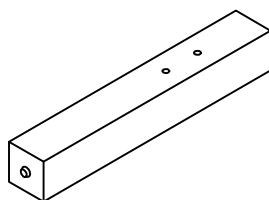
THIS PACKAGE MAY CONTAIN SMALL ITEMS WHICH SHOULD BE KEPT AWAY FROM CHILDREN

- Please check that all parts and hardware are included before beginning assembly.
- Save all packing materials until assembly is complete to avoid accidentally discarding smaller pieces or hardware.
- Read through the preparation and assembly instructions in full before beginning assembly.
- Please use CAUTION AND CARE WHEN LIFTING the product to avoid personal injury and (or) damage to the product.
- For ease of assembly, two adults are recommended.

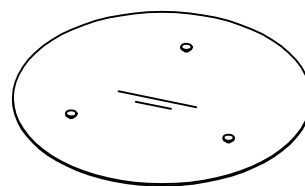
PARTS AND FITTINGS IDENTIFICATION:



(1) Metal
Connection Bar-1

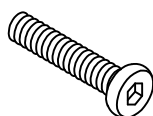


(2) Leg-3



(3) Glass Top-1

HARDWARE LIST:



(A) Bolt-6
(Ø1/4" * 3/4")

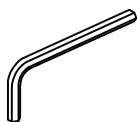


(B) Spring Washer-6
(Ø1/4")



(C) Flat Washer-6
(Ø1/4" * 16mm)

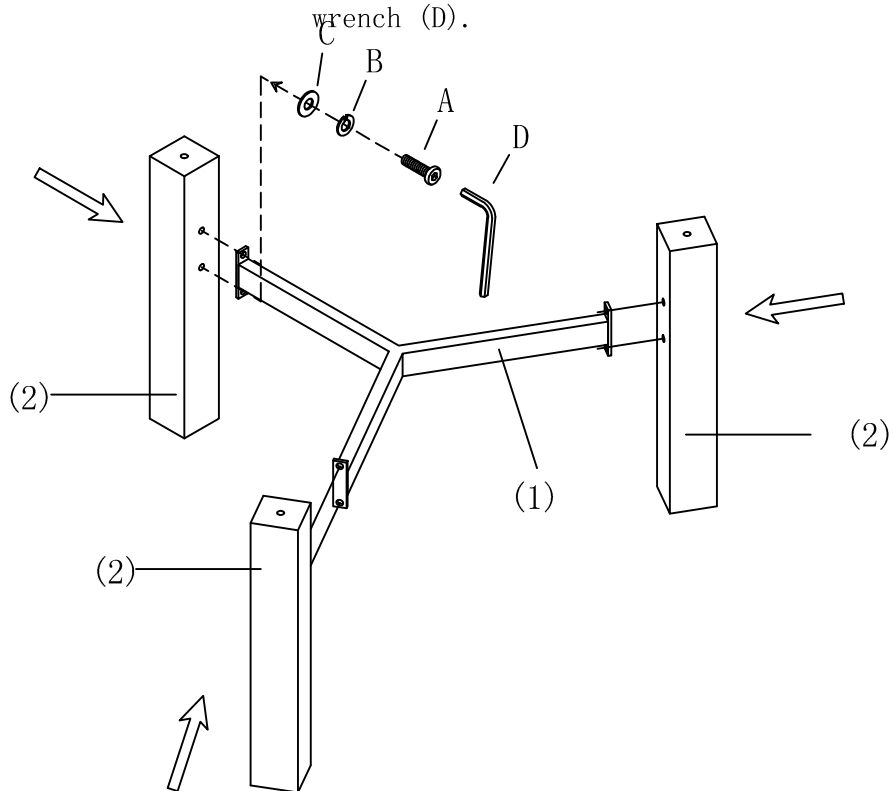
TOOLS REQUIRED:



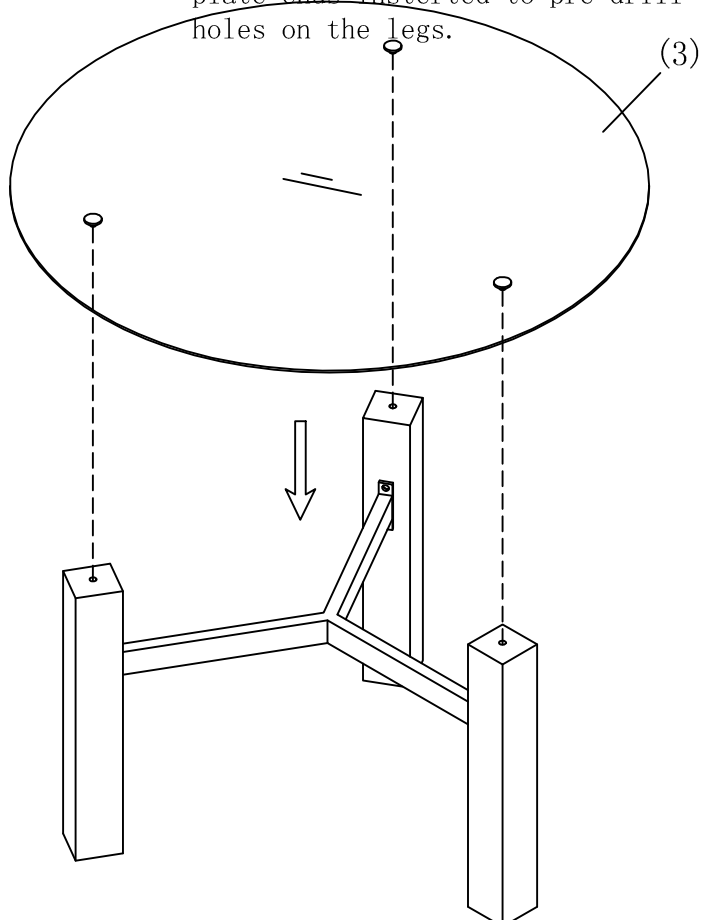
(D) Allen Wrench-1
(Ø1/4")

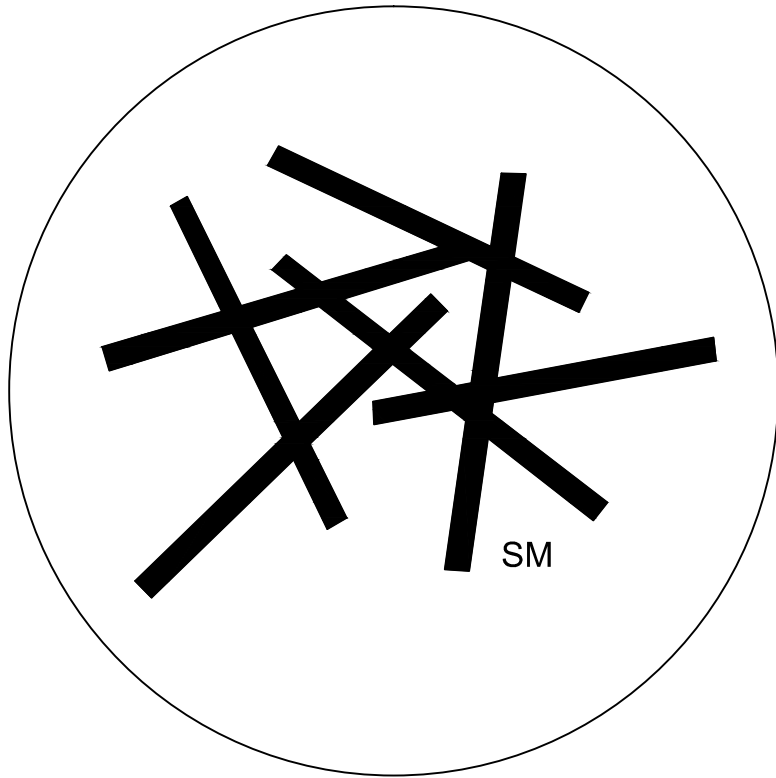
STEP-BY-STEP ASSEMBLY:

Step 1: Attach legs (2) to metal collection bar (1) by A, B, C with allen wrench (D).



Step 2: Put glass top (3) on the legs, make sure the small metal plate ends inserted to pre-drill holes on the legs.





For assistance with assembly, please contact customer service
1-888-880-4884