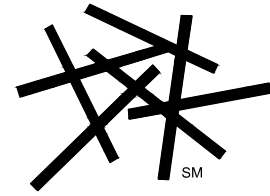
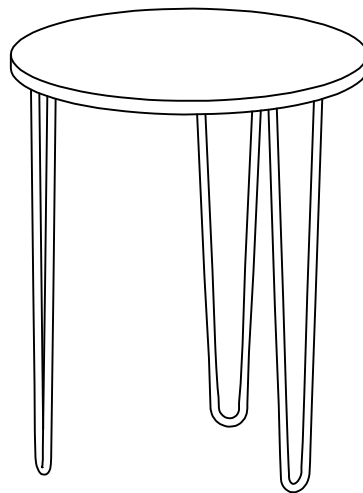


hayneedle



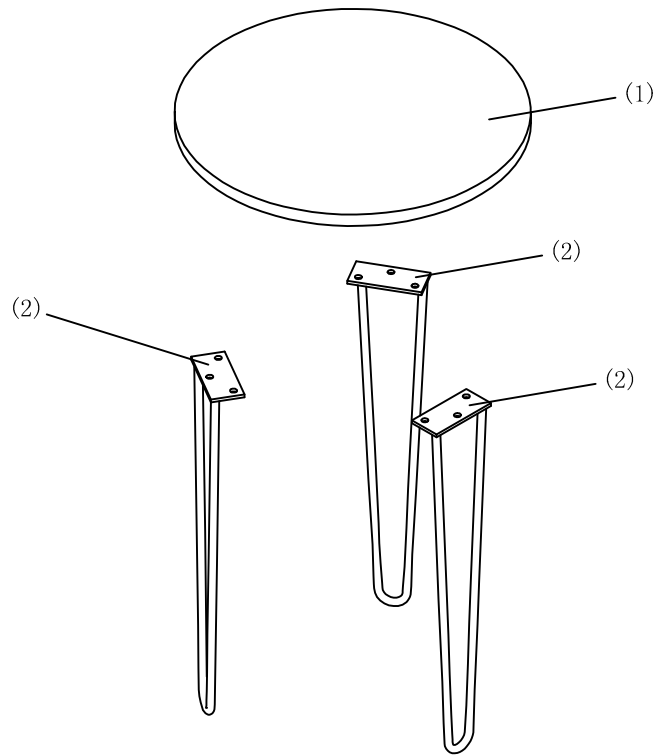
ITEN NAME : Finley Home Jacobson End Table with Hairpin Legs

SKU : MEGG064-1



For assistance with assembly, please contact
Hayneedle Customer Care Center
1-888-880-4884

STRUCTURAL DIAGRAM:



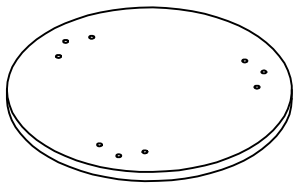
PRE-ASSEMBLY PREPARATION:



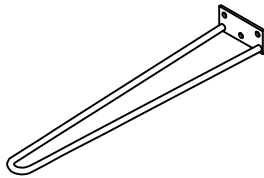
THIS PACKAGE MAY CONTAIN SMALL ITEMS WHICH SHOULD BE KEPT AWAY FROM CHILDREN

- Please check that all parts and hardware are included before beginning assembly.
- Save all packing materials until assembly is complete to avoid accidentally discarding smaller pieces or hardware.
- Read through the preparation and assembly instructions in full before beginning assembly.
- Please use CAUTION AND CARE WHEN LIFTING the product to avoid personal injury and (or) damage to the product.
- For ease of assembly, two adults are recommended.

PARTS AND FITTINGS IDENTIFICATION:

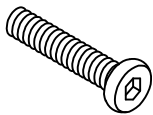


(1) Top Panel-1



(2) Leg-3

HARDWARE LIST:



(A) Bolt-9
(Ø1/4" * 5/8")

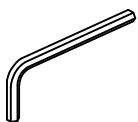


(B) Spring Washer-9
(Ø1/4")



(C) Flat Washer-9
(Ø1/4" * 16mm)

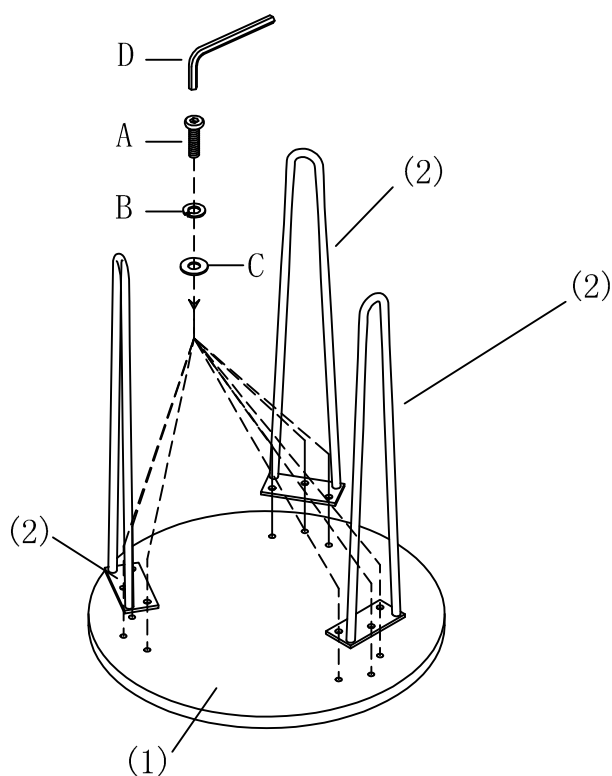
TOOLS REQUIRED:

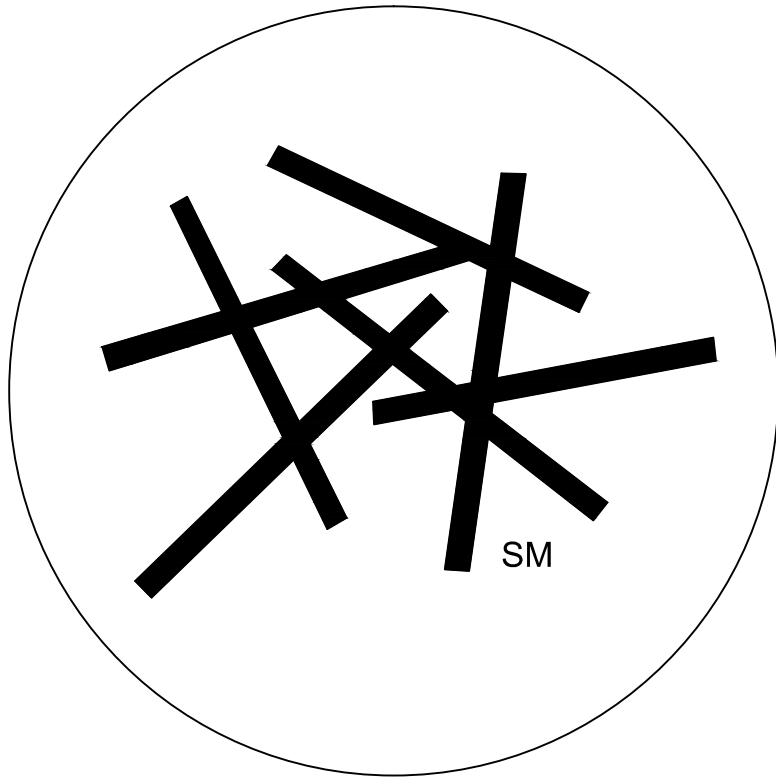


(D) Allen Wrench-1
(Ø1/4")

STEP-BY-STEP ASSEMBLY:

Step 1: Put top(1) up side down on a soft surface, attach leg(2) to top (1) with A, B, C by allen wrench (D).
Step 2: Turn over the top and enjoy our product.





For assistance with assembly, please contact customer service
1-888-880-4884