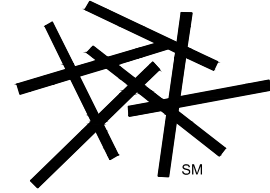
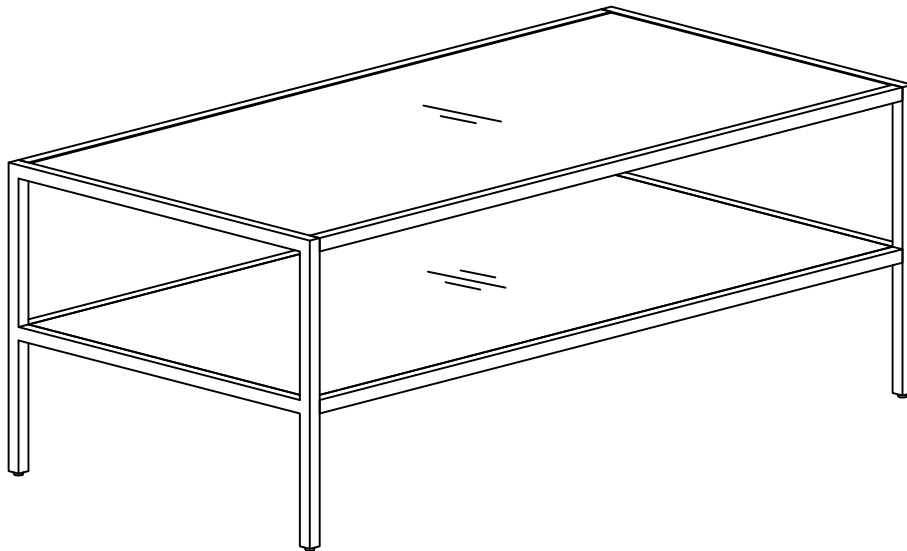


hayneedle



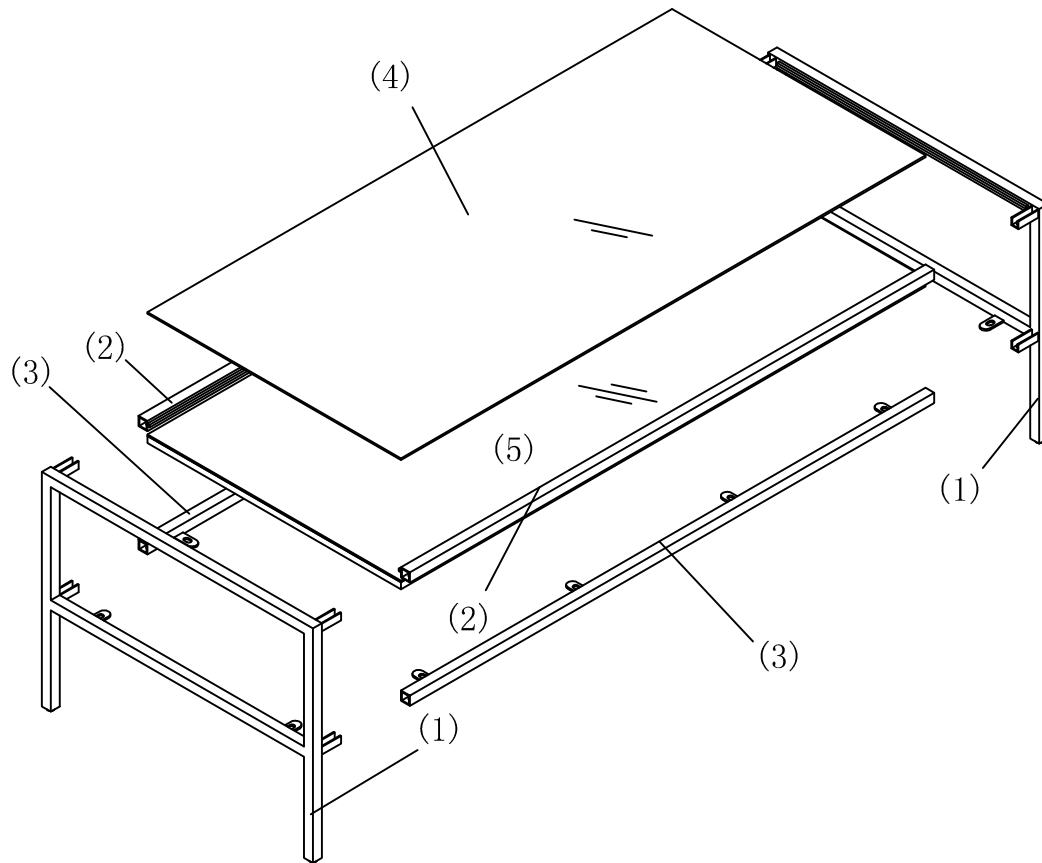
ITEN NAME : Belham Living Lamont Coffee - Black

SKU : MEGG062-1



For assistance with assembly, please contact
Hayneedle Customer Care Center
1-888-880-4884

STRUCTURAL DIAGRAM:



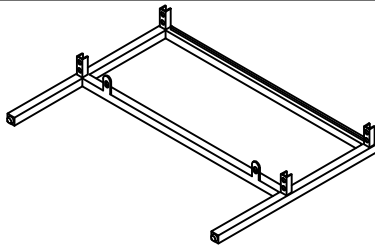
PRE-ASSEMBLY PREPARATION:



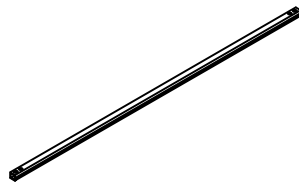
THIS PACKAGE MAY CONTAIN SMALL ITEMS WHICH SHOULD BE KEPT AWAY FROM CHILDREN

- Please check that all parts and hardware are included before beginning assembly.
- Save all packing materials until assembly is complete to avoid accidentally discarding smaller pieces or hardware.
- Read through the preparation and assembly instructions in full before beginning assembly.
- Please use CAUTION AND CARE WHEN LIFTING the product to avoid personal injury and (or) damage to the product.
- For ease of assembly, two adults are recommended.

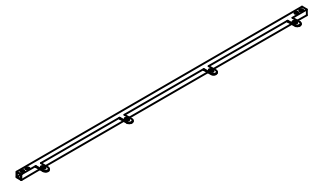
PARTS AND FITTINGS IDENTIFICATION:



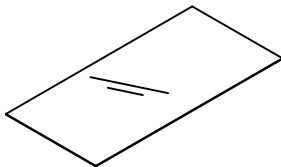
(1) Side Panel=2



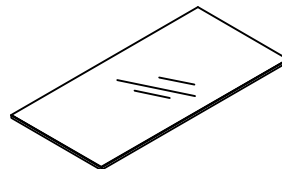
(2) Upper Cross Bar=2



(3) Lower Cross Bar=2



(4) Glass Top=1



(5) Mirror Shelf=1

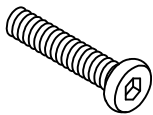
PRE-ASSEMBLY PREPARATION:



THIS PACKAGE MAY CONTAIN SMALL ITEMS WHICH SHOULD BE KEPT AWAY FROM CHILDREN

- Please check that all parts and hardware are included before beginning assembly.
- Save all packing materials until assembly is complete to avoid accidentally discarding smaller pieces or hardware.
- Read through the preparation and assembly instructions in full before beginning assembly.
- Please use CAUTION AND CARE WHEN LIFTING the product to avoid personal injury and (or) damage to the product.
- For ease of assembly, two adults are recommended.

HARDWARE LIST:



(A) Bolt=16
(Ø1/4"*1/2")

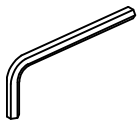


(B) Spring Washer-16
(Ø1/4")



(C) Flat Washer-16
(Ø1/4"*16mm)

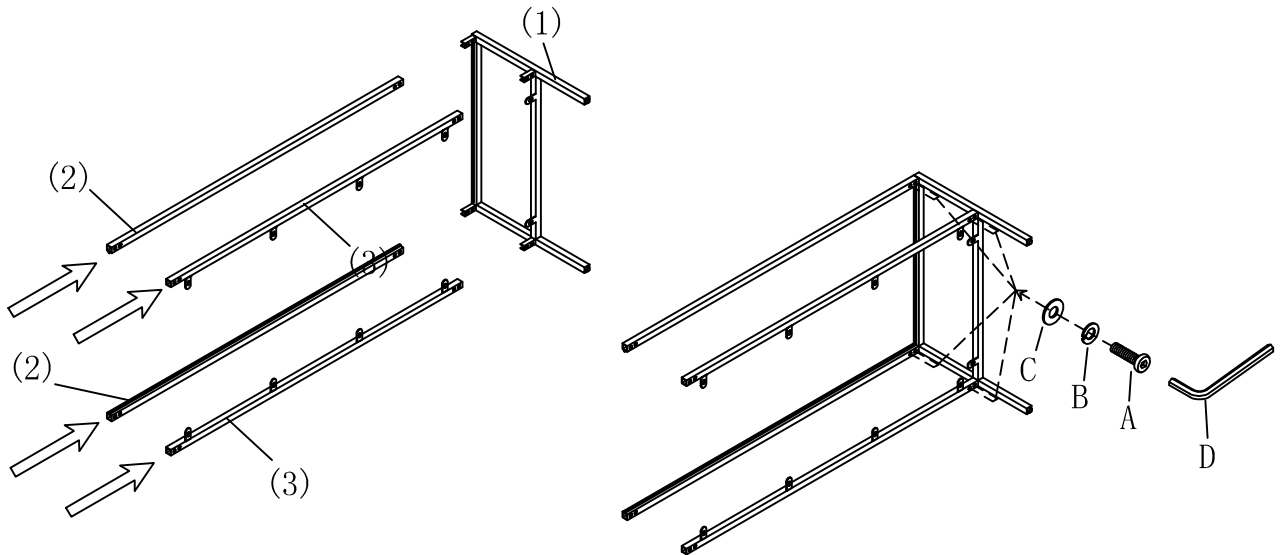
TOOLS REQUIRED:



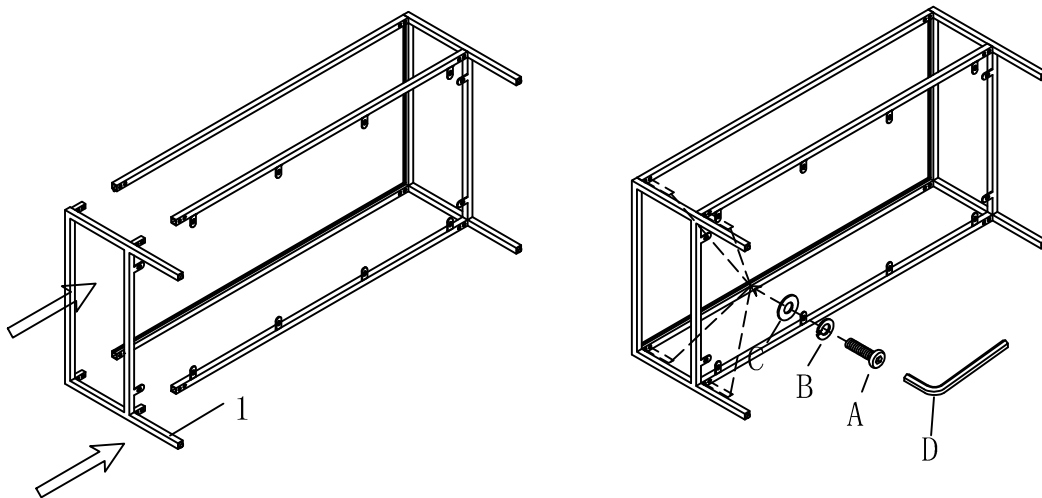
(D) Allen Wrench-1
(Ø1/4")

STEP-BY-STEP ASSEMBLY:

Step 1: Put side panel (1) on a soft surface; attach to cross bars (2) & (3) by A, B, C with allen wrench (D).

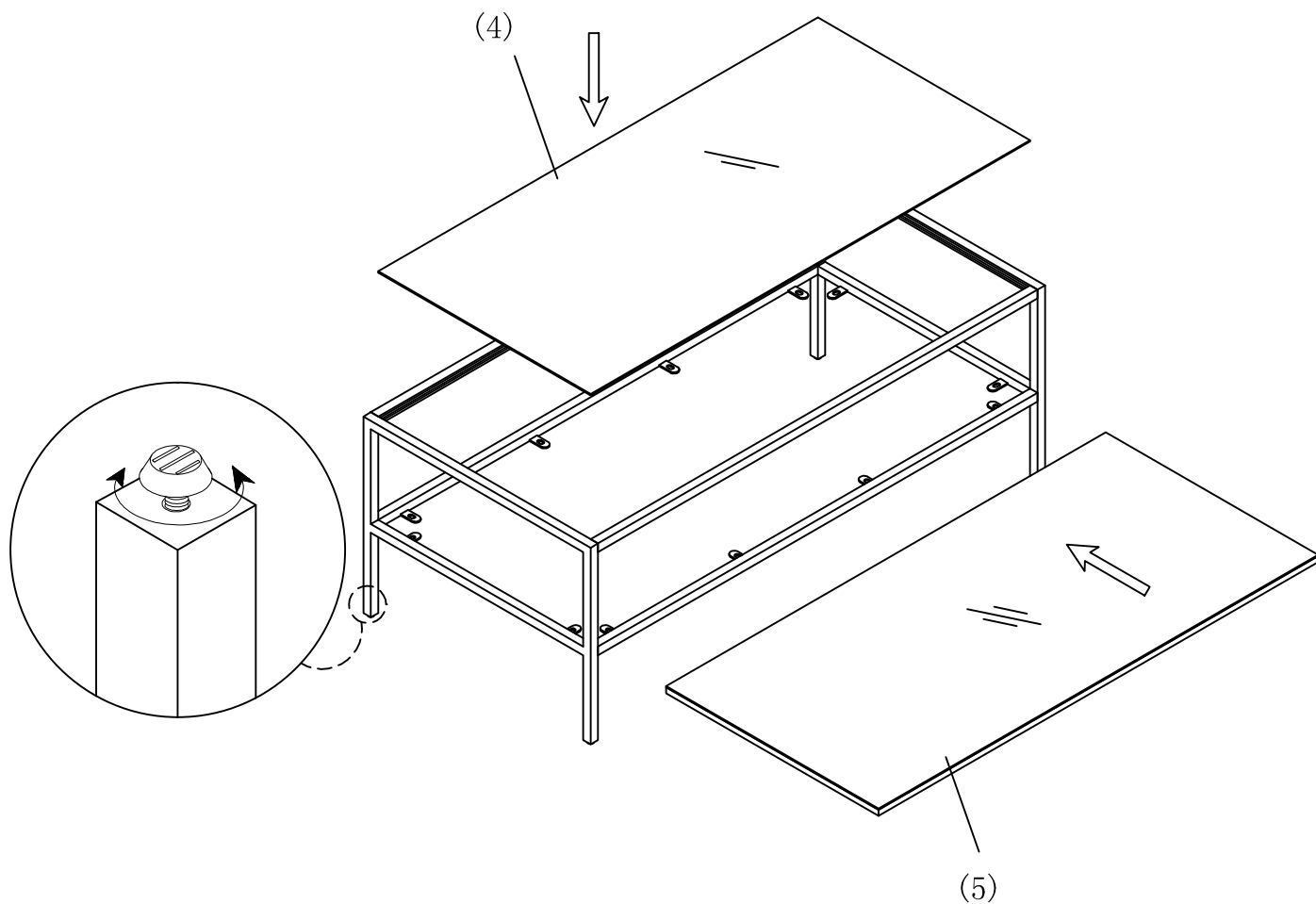


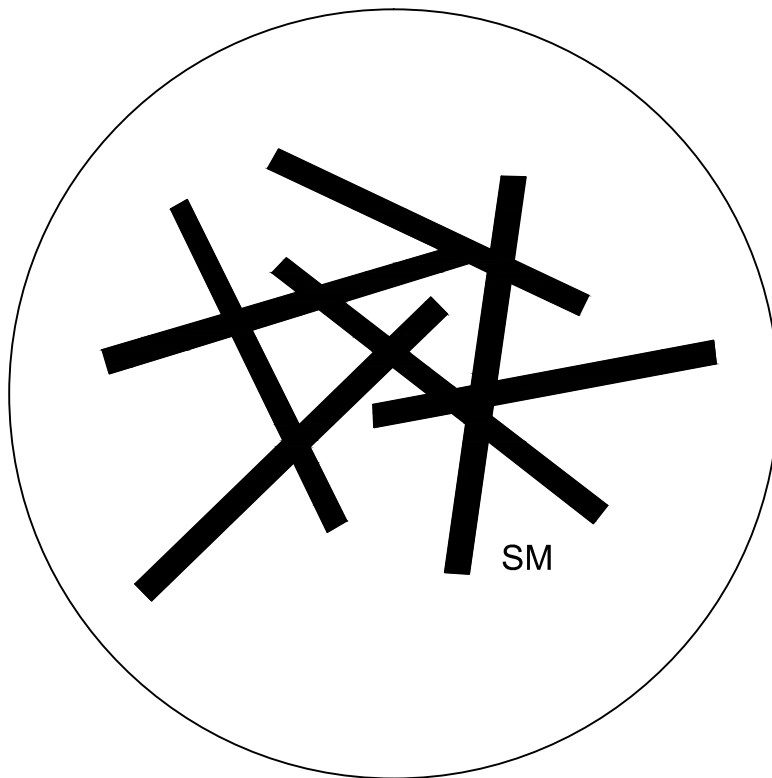
Step 2: Attach another side panel (1) with cross bars (2) & (3) by A, B, C with allen wrench (D).



STEP-BY-STEP ASSEMBLY:

Step 3: Put glass top on the metal frame; put mirror shelf underneath, adjust the leverlers at the bottom of legs if needed.





For assistance with assembly, please contact customer service
1-888-880-4884