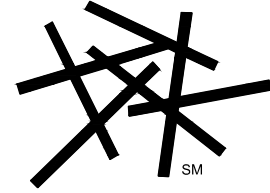
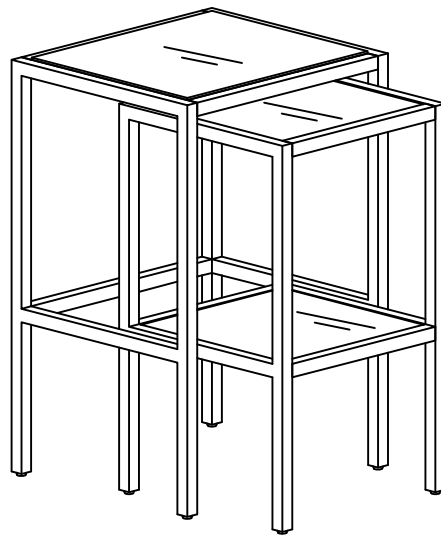


# hayneedle



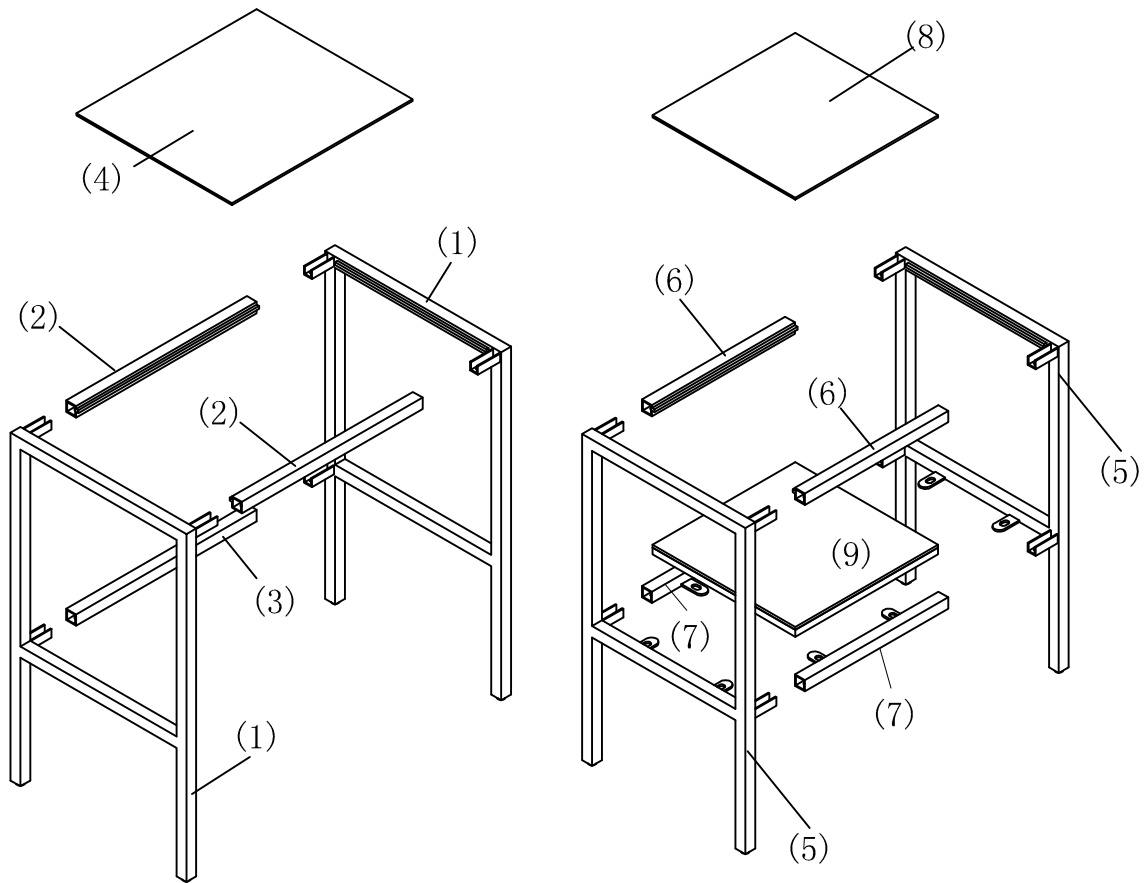
ITEN NAME : Belham Living Lamont Nesting End Tables - Black

SKU : MEGG047-1



For assistance with assembly, please contact  
Hayneedle Customer Care Center  
1-888-880-4884

STRUCTURAL DIAGRAM:



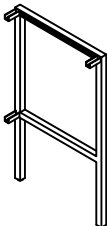
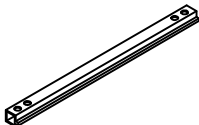
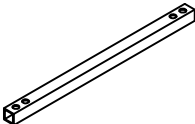
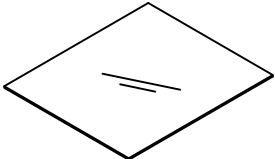
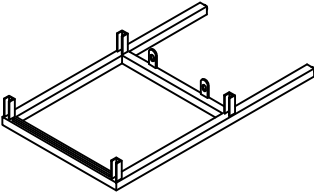
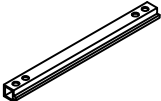
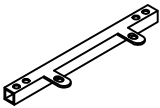
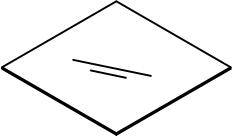
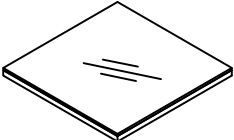
## PRE-ASSEMBLY PREPARATION:



THIS PACKAGE MAY CONTAIN SMALL ITEMS WHICH SHOULD BE KEPT AWAY FROM CHILDREN

- Please check that all parts and hardware are included before beginning assembly.
- Save all packing materials until assembly is complete to avoid accidentally discarding smaller pieces or hardware.
- Read through the preparation and assembly instructions in full before beginning assembly.
- Please use CAUTION AND CARE WHEN LIFTING the product to avoid personal injury and (or) damage to the product.
- For ease of assembly, two adults are recommended.

## PARTS AND FITTINGS IDENTIFICATION:

 <p>(1) Larger side panel=2</p>	 <p>(2) Larger Upper Cross Bar=2</p>	 <p>(3) Larger Lower Cross Bar=1</p>
 <p>(4) Larger Glass Top=1</p>	 <p>(5) Smaller side panel=2</p>	 <p>(6) Smaller Upper Cross Bar=2</p>
 <p>(7) Smaller Lower Cross Bar=2</p>	 <p>(8) Smaller Glass Top=1</p>	 <p>(9) Mirror Shelf=1</p>

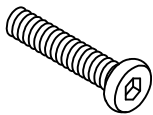
## PRE-ASSEMBLY PREPARATION:



THIS PACKAGE MAY CONTAIN SMALL ITEMS WHICH SHOULD BE KEPT AWAY FROM CHILDREN

- Please check that all parts and hardware are included before beginning assembly.
- Save all packing materials until assembly is complete to avoid accidentally discarding smaller pieces or hardware.
- Read through the preparation and assembly instructions in full before beginning assembly.
- Please use CAUTION AND CARE WHEN LIFTING the product to avoid personal injury and (or) damage to the product.
- For ease of assembly, two adults are recommended.

## HARDWARE LIST:



(A) Bolt-28  
(Ø1/4" \* 1/2")

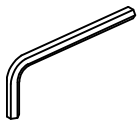


(B) Spring Washer-28  
(Ø1/4")



(C) Flat Washer-28  
(Ø1/4" \* 16mm)

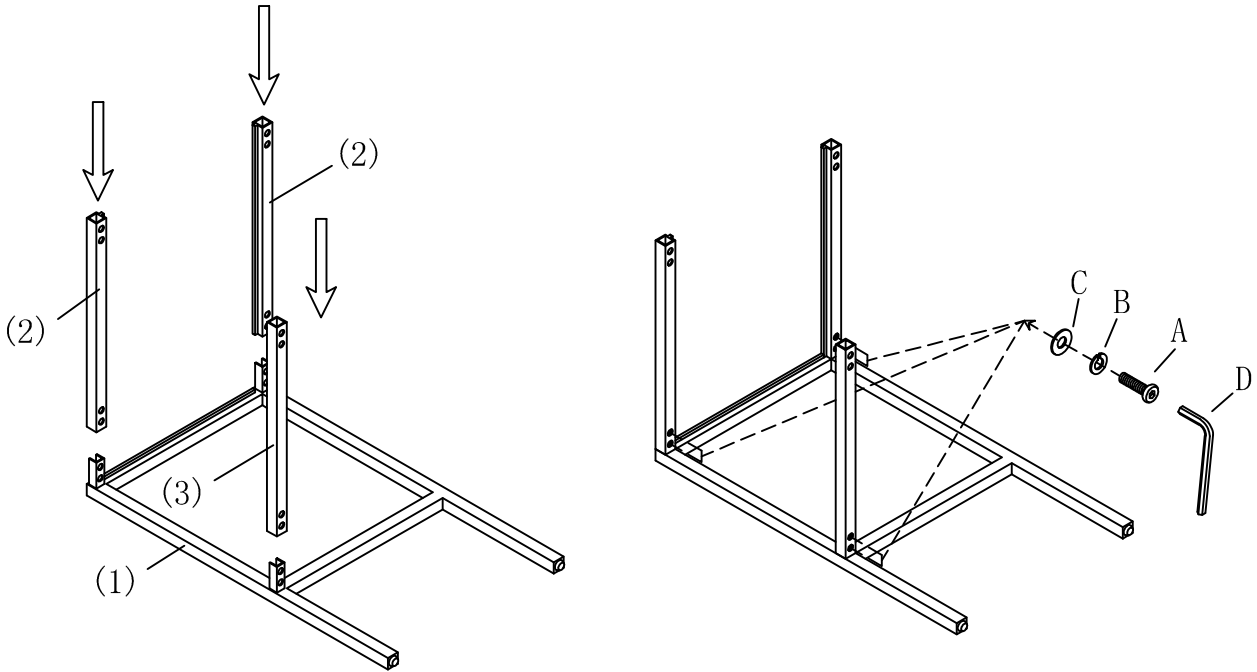
## TOOLS REQUIRED:



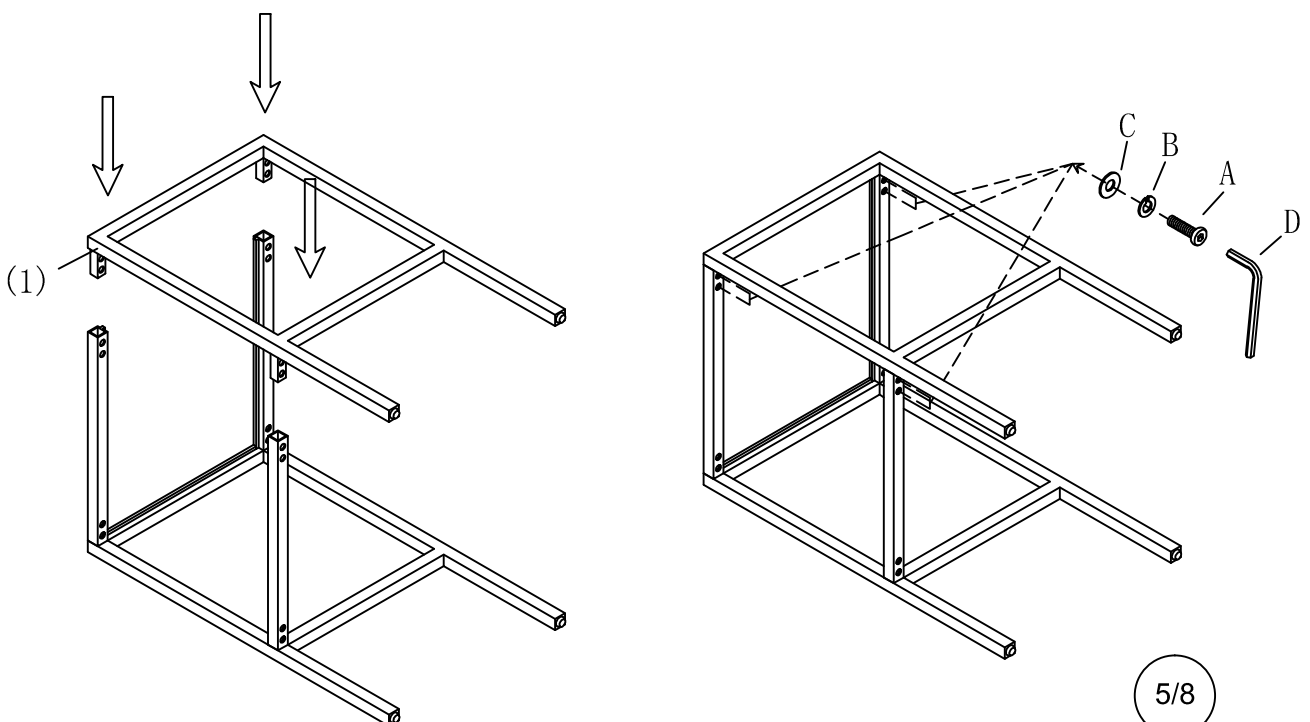
(D) Allen Wrench-1  
(Ø1/4")

**STEP-BY-STEP ASSEMBLY:**

Step 1: Put larger side panel (1) on a soft surface, attach to cross bars (2) & (3) by A, B, C with allen wrench (D).

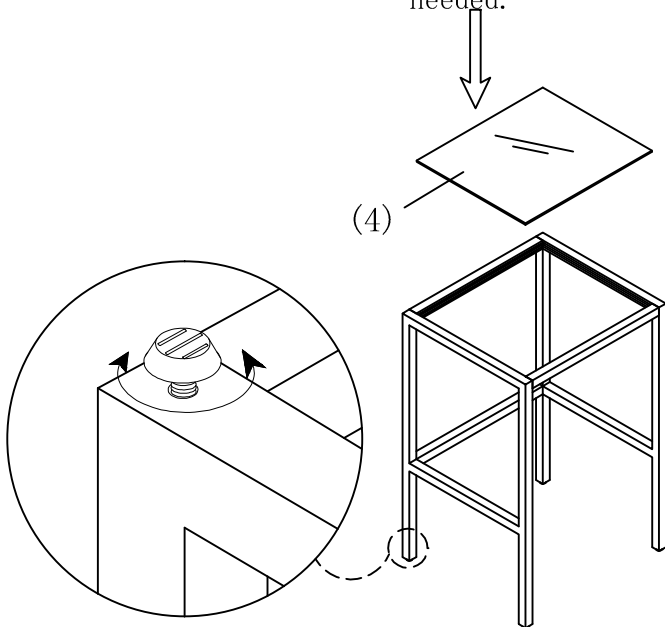


Step 2: Attach another larger side panel (1) to cross bars (2) & (3) by A, B, C with allen wrench (D).

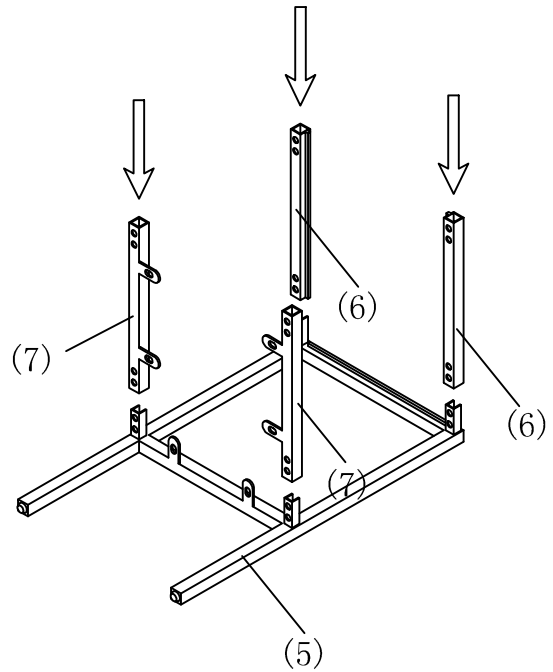


## STEP-BY-STEP ASSEMBLY:

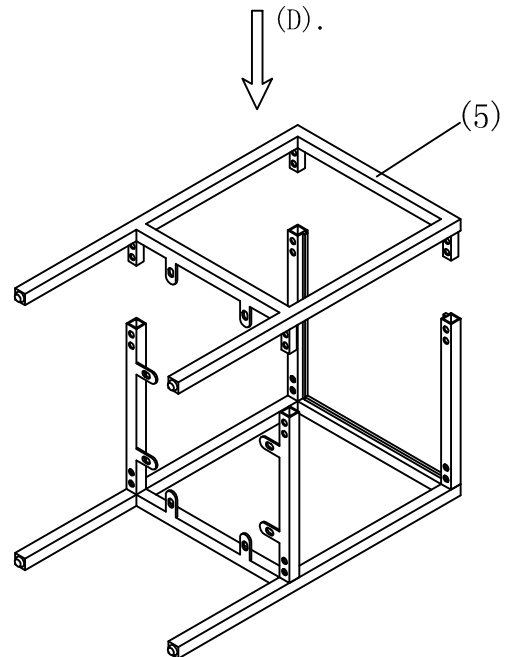
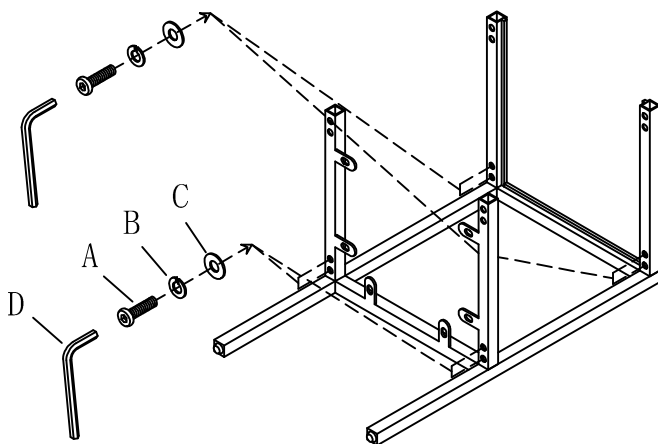
Step 3: Put larger glass top (4) on the metal frame, adjust the leverler at the bottom of legs if needed.



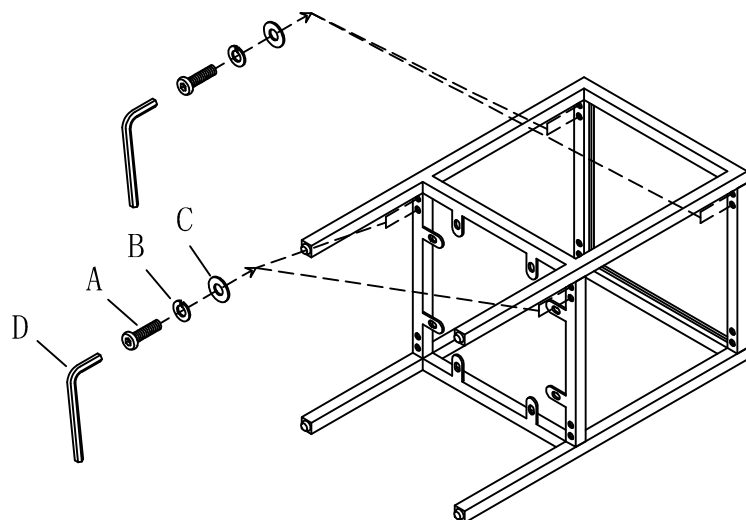
Step 1: Put smaller side panel (5) on a soft surface, attach to cross bar (6) & (7) by A, B, C with allen wrench (D).



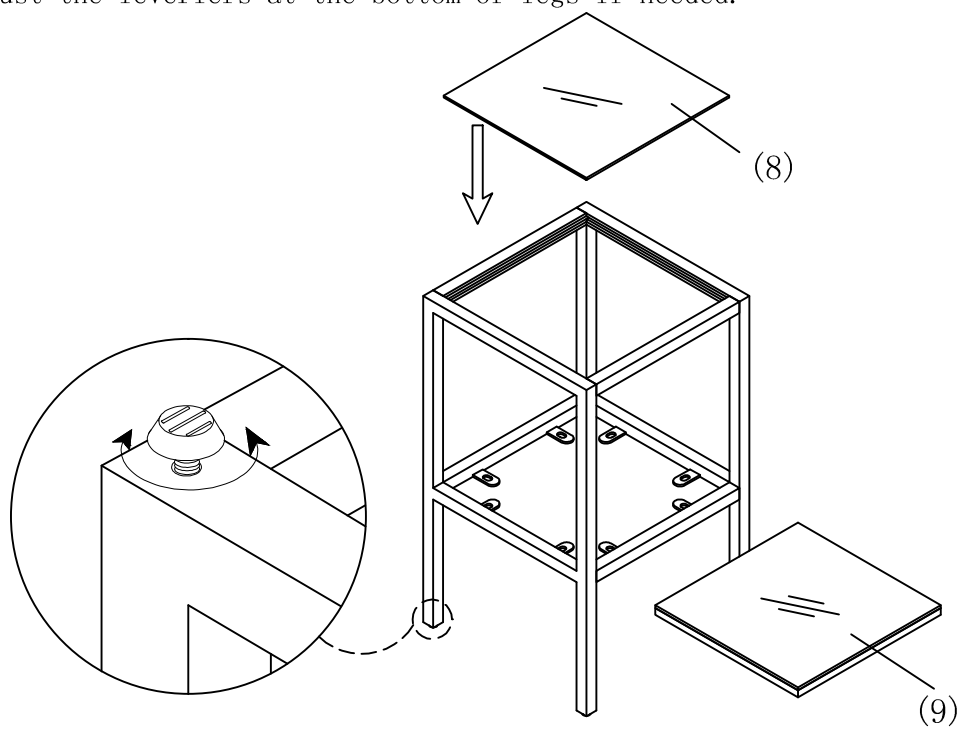
Step 2: Attach another smaller side panel (5) to cross bars (6) & (7) by A, B, C with allen wrench (D).

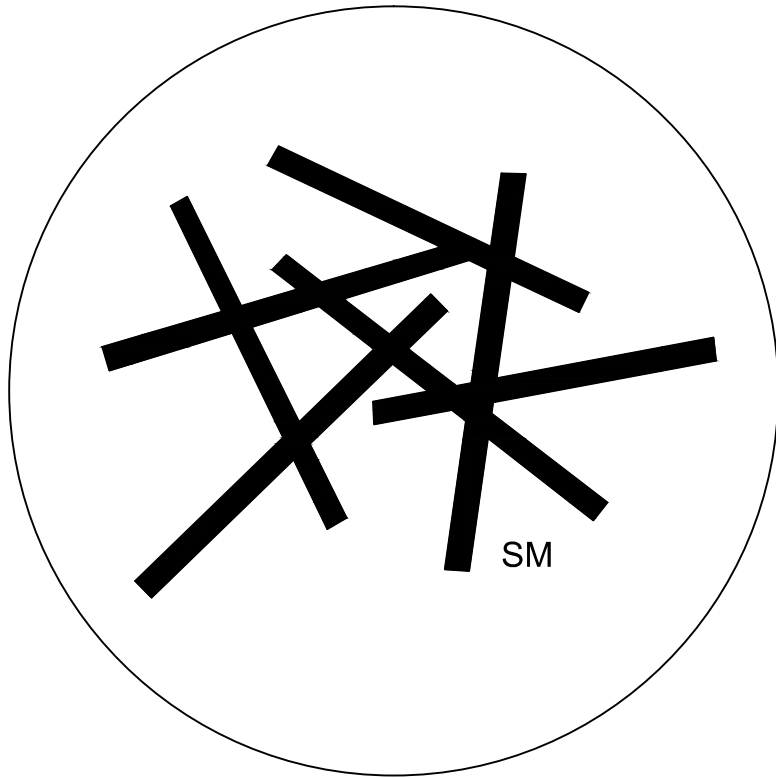


STEP-BY-STEP ASSEMBLY:



Step 3: Put smaller glass top (8) on the metal frame; Put mirror shelf(9) underneath, adjust the leverlers at the bottom of legs if needed.





For assistance with assembly, please contact customer service  
1-888-880-4884