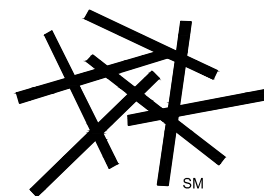
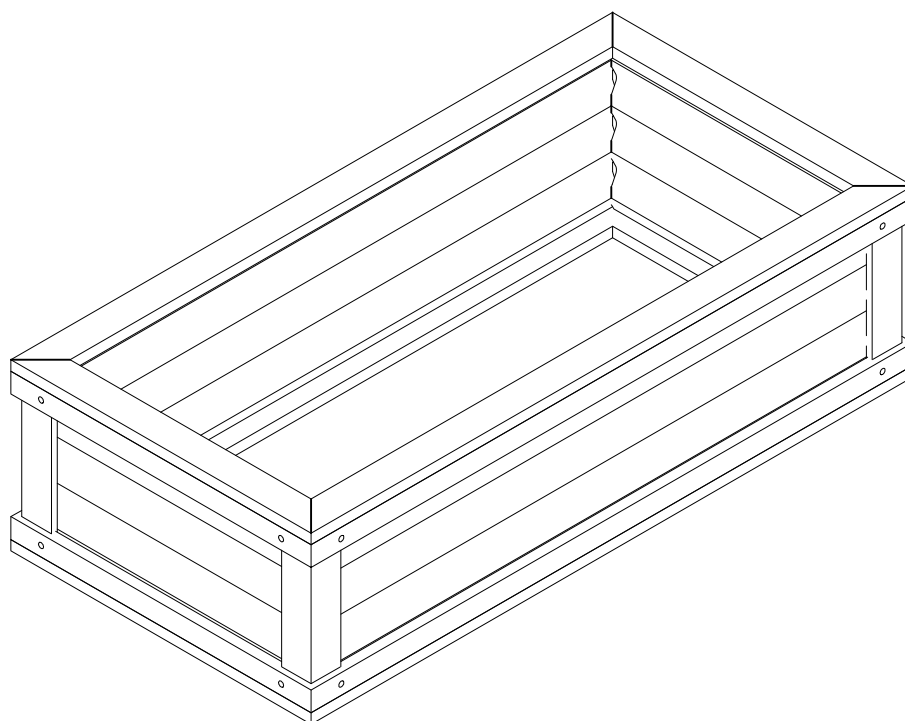


hayneedle



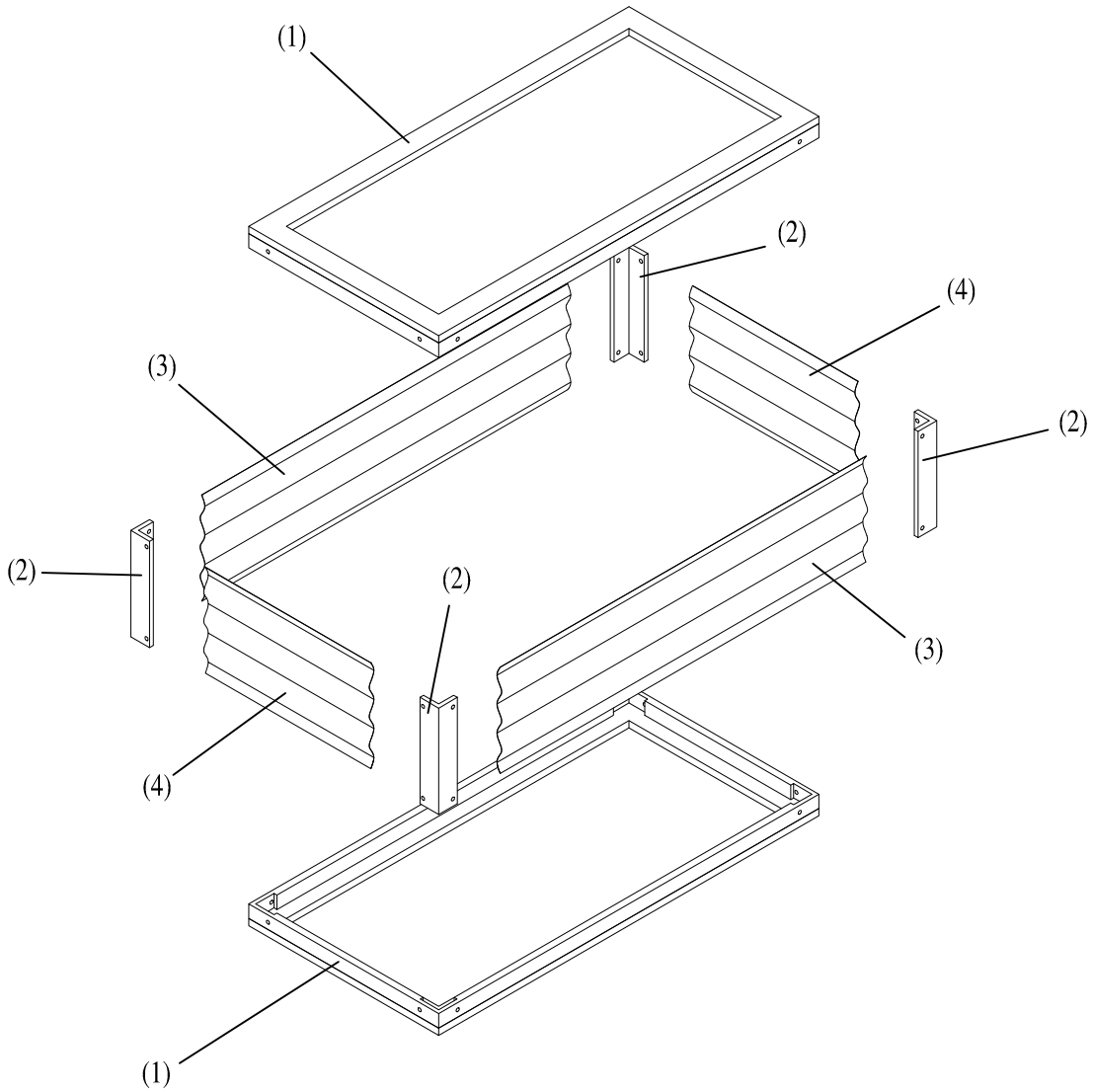
ITEN NAME: Coral Coast Guthrie Corrugated Metal & Wood Raised Garden Bed

SKU: MEGG004-1



For assistance with assembly, please contact
Hayneedle Customer Care Center
1-888-880-4884

STRUCTURAL DIAGRAM:



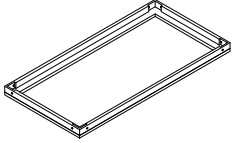

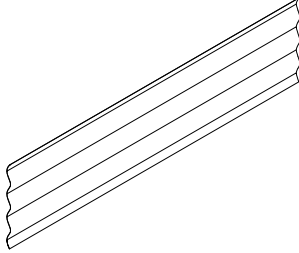
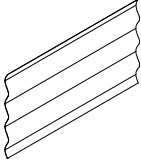
PRE-ASSEMBLY PREPARATION:



THIS PACKAGE MAY CONTAIN SMALL ITEMS WHICH SHOULD BE KEPT AWAY FROM CHILDREN

- Please check that all parts and hardware are included before beginning assembly.
- Save all packing materials until assembly is complete to avoid accidentally discarding smaller pieces or hardware.
- Read through the preparation and assembly instructions in full before beginning assembly.
- Please use CAUTION AND CARE WHEN LIFTING the product to avoid personal injury and (or) damage to the product.
- For ease of assembly, two adults are recommended.

PARTS AND FITTINGS IDENTIFICATION:

 <p>(1) Frame-2</p>	 <p>(2) Rail-4</p>	 <p>(3) Front Iron Panel-2</p>
 <p>(4) Side Iron Panel-2</p>		

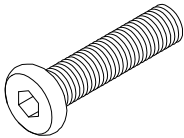



PRE-ASSEMBLY PREPARATION:



THIS PACKAGE MAY CONTAIN SMALL ITEMS WHICH SHOULD BE KEPT AWAY FROM CHILDREN

- Please check that all parts and hardware are included before beginning assembly.
- Save all packing materials until assembly is complete to avoid accidentally discarding smaller pieces or hardware.
- Read through the preparation and assembly instructions in full before beginning assembly.
- Please use CAUTION AND CARE WHEN LIFTING the product to avoid personal injury and (or) damage to the product.
- For ease of assembly, two adults are recommended.

HARDWARE LIST:

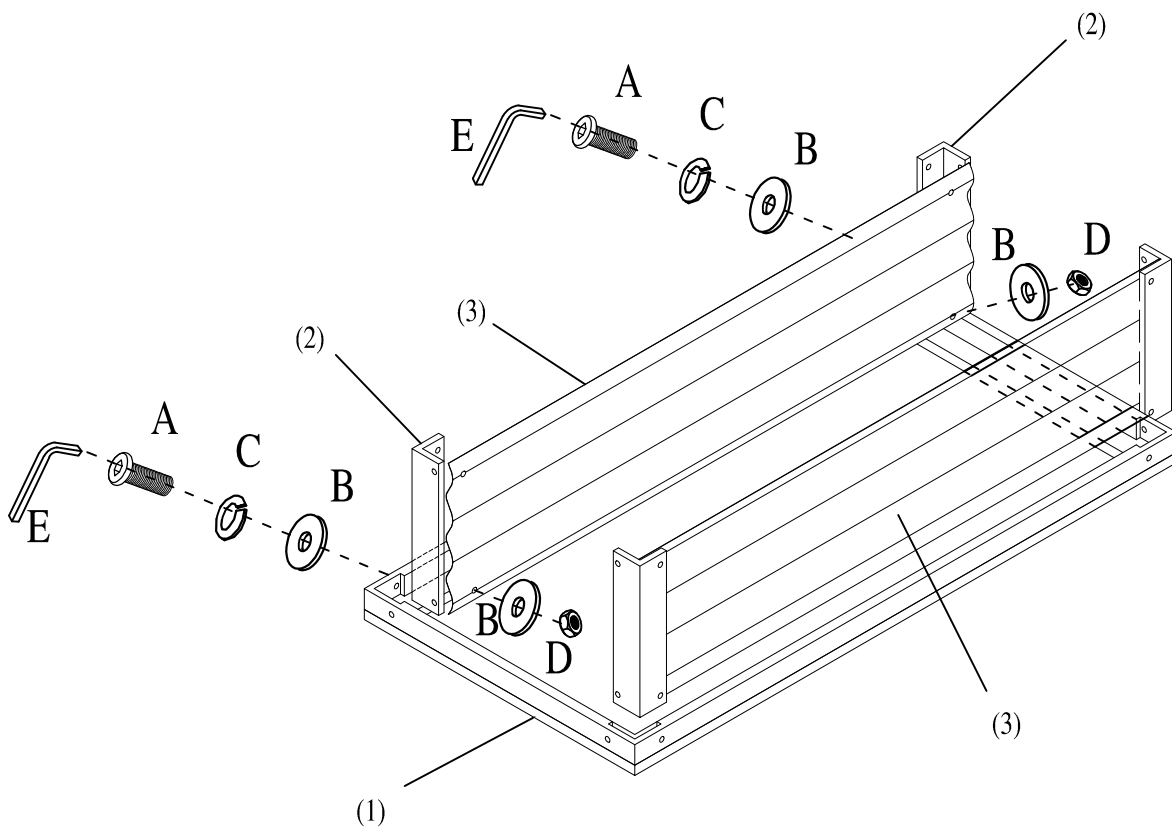
 A Bolt-16 (Ø 1/4" x 1-3/4")	 B Flat Washer-32 (Ø 1/4" * 16mm)	 C Lock Washer-16 (Ø 1/4")
 D Nut-16 (Ø 1/4")		

TOOLS REQUIRED:

 E Allen Wrench-1 (Ø 1/4")		
--	--	--

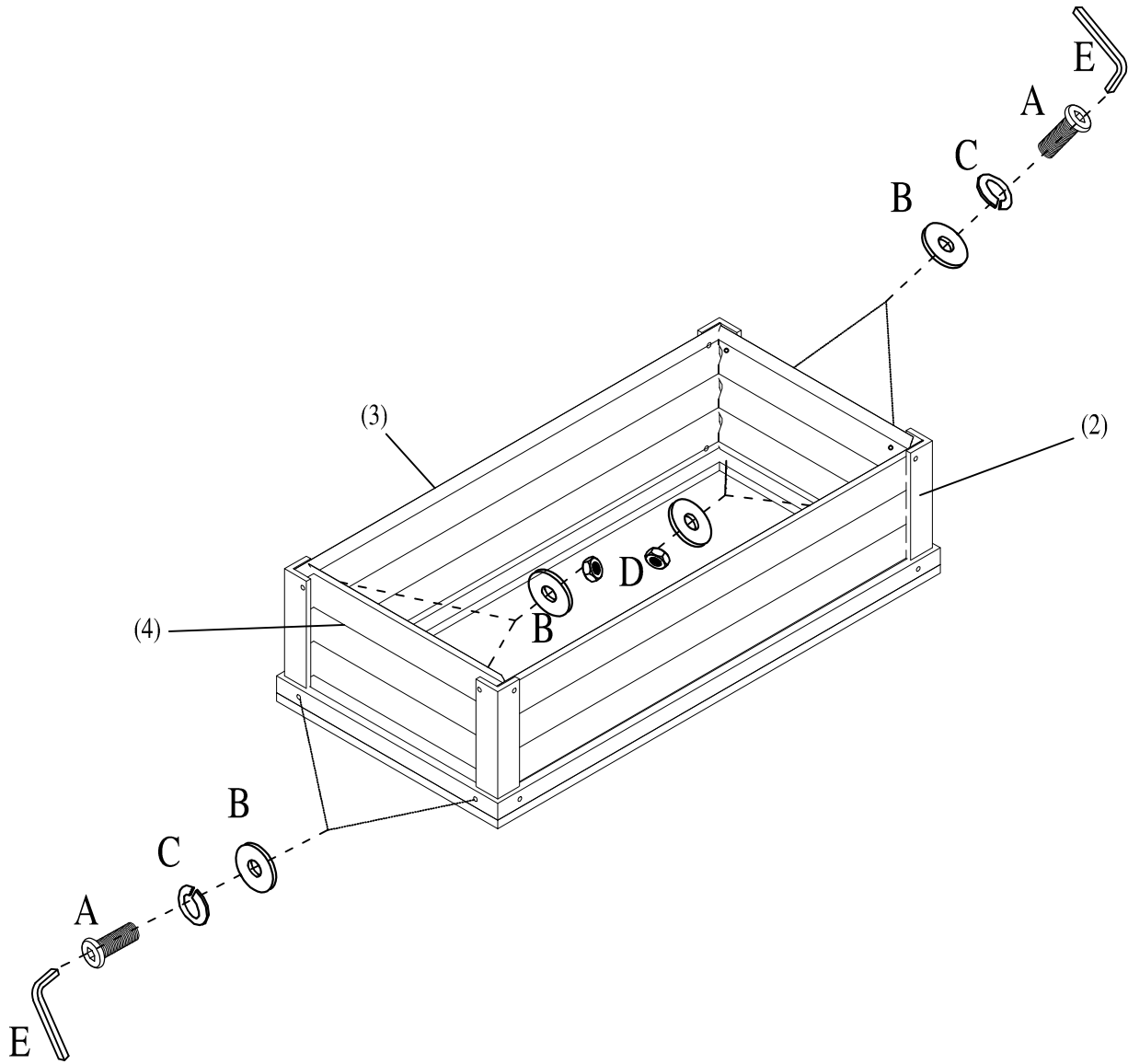
STEP-BY-STEP ASSEMBLY:

Step 1: Attach frame (1) with rail (2) and front iron panel (3) by A, C, B from outwards side and B, D from inwards side.



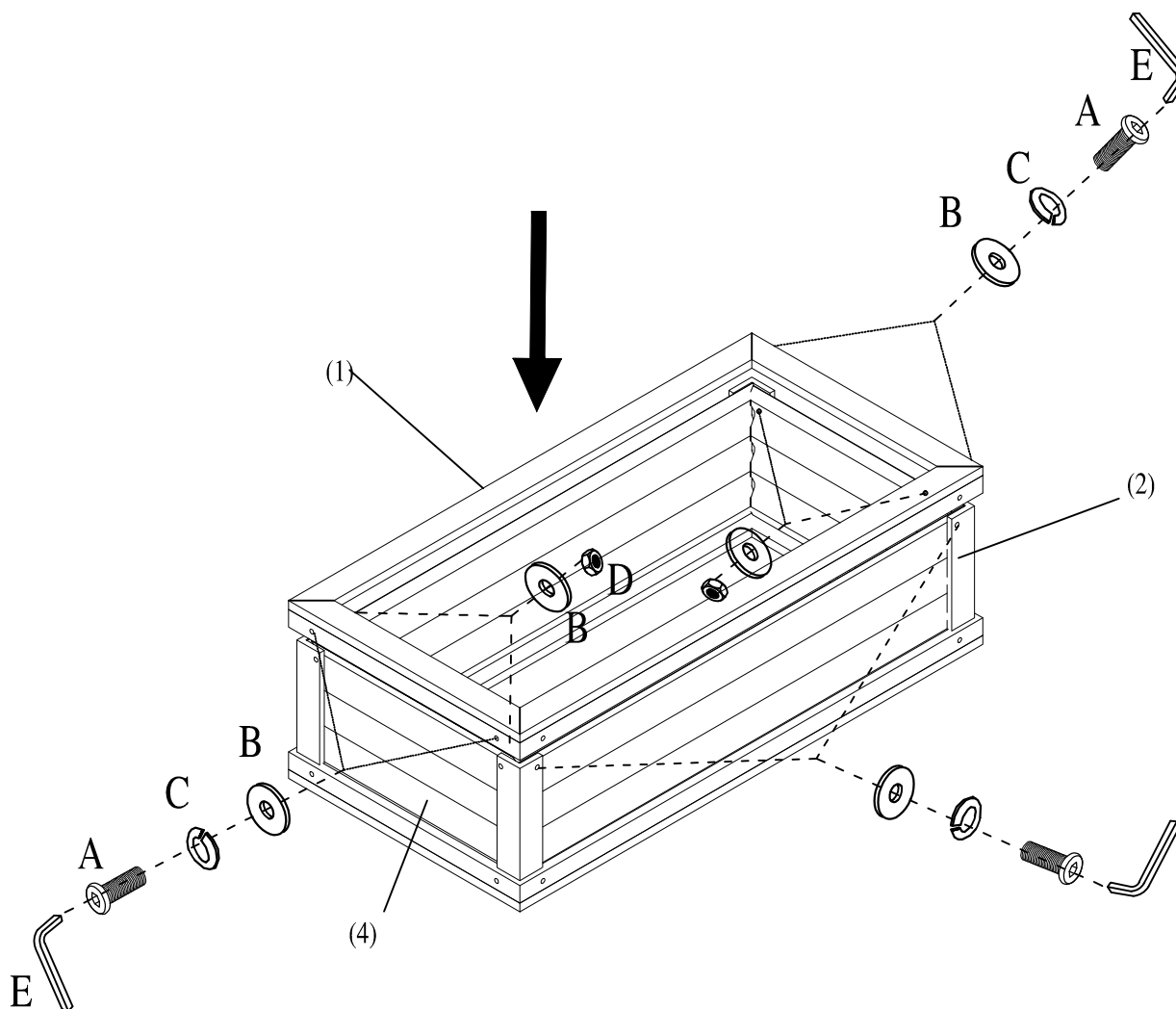
STEP-BY-STEP ASSEMBLY:

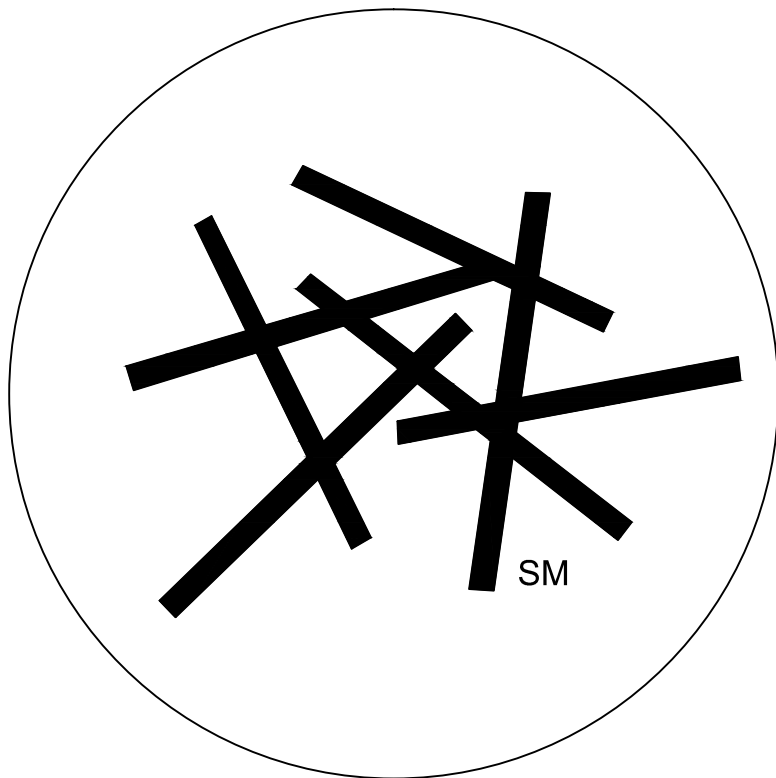
Step 2: Attach frame (1) with rail (2) and side iron panel (4) by A, C, B from outwards side and B, D from inwards side.



STEP-BY-STEP ASSEMBLY:

Step 3: Attach top frame (1) with rail (2), iron panels (3) and (4) by A, C, B from outwards side and B, D from inwards side.





For assistance with assembly, please contact customer service
1-888-880-4884