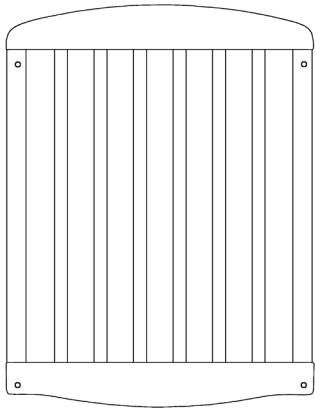


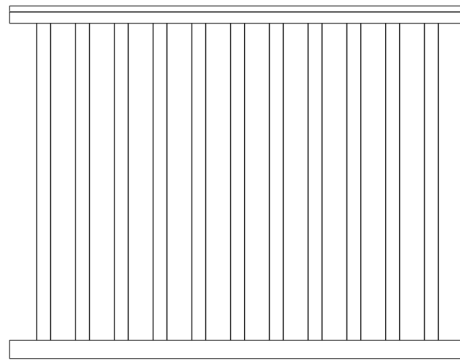
Congratulations on purchasing a Million Dollar Baby Product. This crib will provide many years of service if you adhere to the following guidelines for assembly, maintenance, and operation. This crib is for residential use only. Any institutional use is strictly prohibited.

Please be sure to follow the instructions for proper assembly. Use a Phillips head screwdriver for assembling the crib in addition to the Allen wrench included in the hardware box. Do not use power screwdrivers. All of our cribs are made from natural woods. Please understand that natural woods have color variations which are the result of nature and not defects in workmanship.

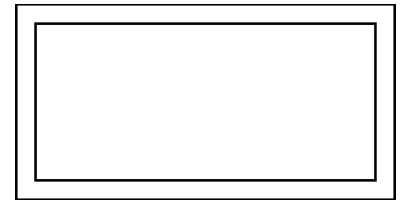
DO NOT SUBSTITUTE PARTS. ALL MODELS HAVE THE SAME QUANTITY OF PARTS AND HARDWARE. YOUR MODEL MAY LOOK DIFFERENT FROM THE ONE ILLUSTRATED DUE TO STYLISTIC VARIATIONS.



A. Headboard (2)



B. Side panels (2)

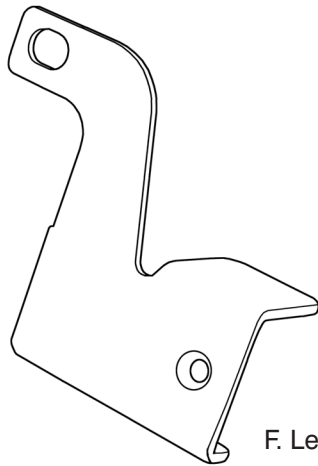


C. Mattress support board (1)

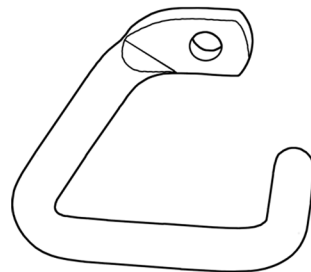


D. Mattress pad (1)

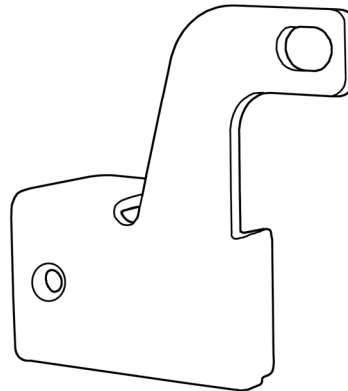
## HARDWARE



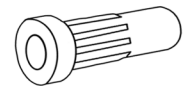
F. Left mattress support bracket (2)



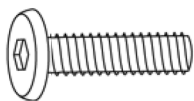
E. Rocking stop (2)



G. Right mattress support bracket (2)



R. Caster sleeve (4)



H. 7/8" Allen head bolt (4)



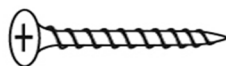
K. 3/4" panhead woodscrew (2)



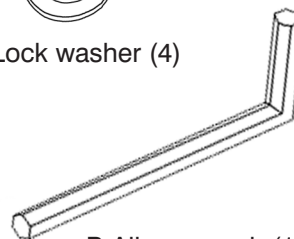
N. Lock washer (4)



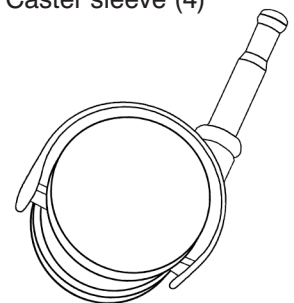
J. 1 1/2" Allen head bolt (8)



M. 1" flathead woodscrew (4)

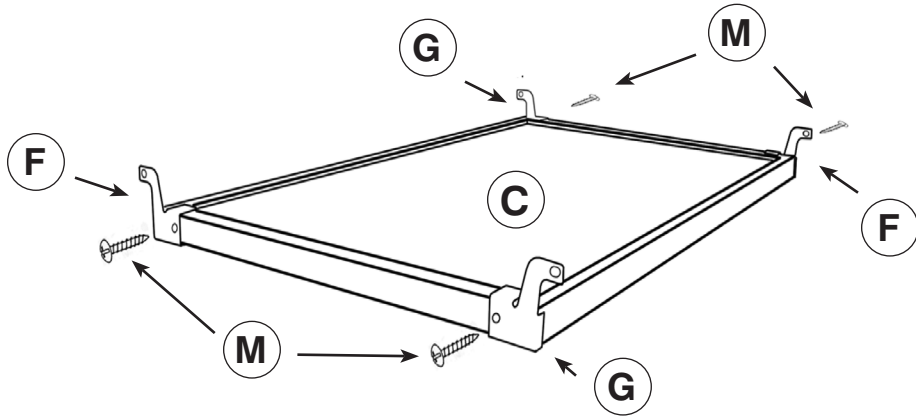


P. Allen wrench (1)



S. Caster (4)

The Alpha Porta Crib is designed to serve your child from infancy until they are 35" (90cm) tall or are able to climb out of the crib unaided. From birth until the child is able to roll over, about three months, use the Porta Crib as a cradle with the mattress support at the highest position. Then use the Porta Crib as a crib with the mattress support lowered and the casters inserted.

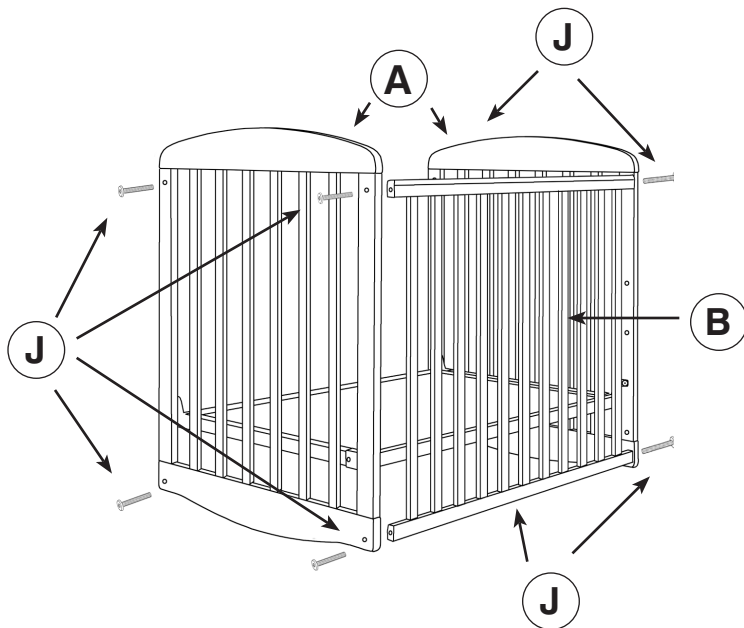
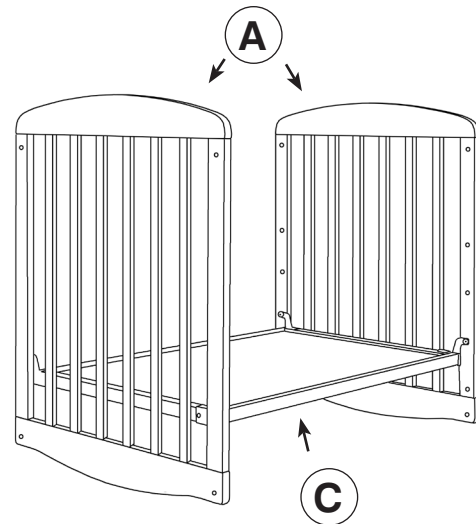
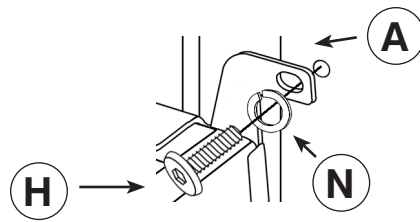


**STEP 1.**

Using your Phillips head screwdriver and four 1" flathead woodscrews (M) attach the Left (F) and Right (G) mattress support brackets to the Mattress support board (C).

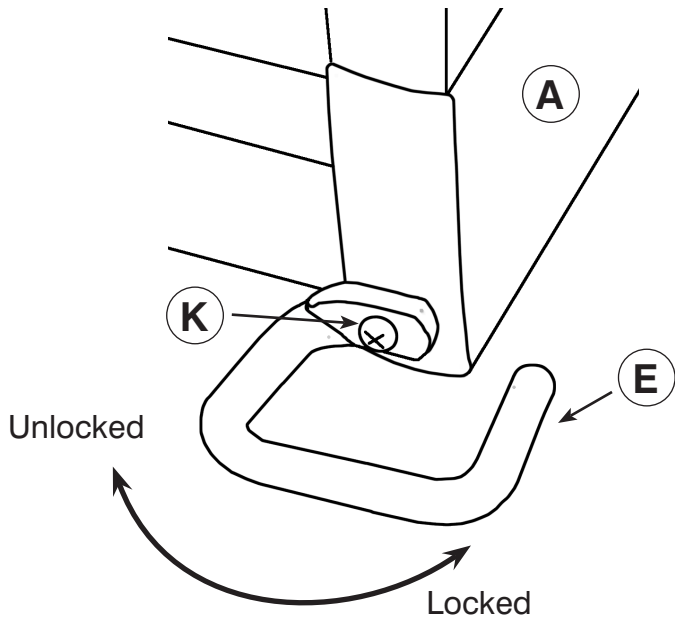
**STEP 2.**

Attach the mattress board assembly (C) to the Headboards (A) using the four 3/4" Allen head bolts (H) and four Lock washers (N). Tighten the bolts with the provided Allen wrench (P). For use as a cradle use the uppermost set of holes. For use as a crib choose a lower set of holes.



**STEP 3.**

Attach the two Side panels (B) to the Headboards (A) using the eight 1 1/2" Allen head bolts (J). Tighten the bolts with the provided Allen wrench (P). Be sure the plastic teething rail is towards the top.

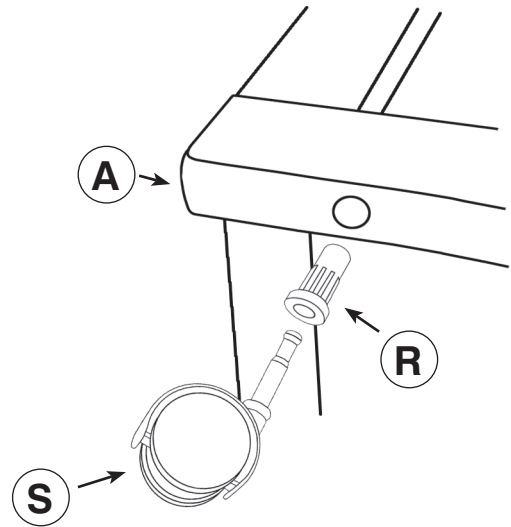


**STEP 4.**

Using your Phillips head screwdriver and two 3/4” Pan head woodscrews (K) attach the two Rocking stops (E). The rocking stop is shown in the locked position, to allow the cradle to rock rotate the stop clockwise.

**STEP 5.**

For crib use, slide the four Caster sleeves (R) into the holes on the bottom of the Headboards (A) then insert the Casters (S). Push them firmly into place. Do not use the casters when using the Porta Crib as a cradle.



**READ ALL INSTRUCTIONS BEFORE ASSEMBLING CRIB. KEEP THE MANUAL FOR FUTURE USE.**

**! WARNING:**

**Infants Can Suffocate** in gaps between a mattress too small or too thick and crib sides.

Please refer to the label (sample below) on the inside face of the headboard. Record the model/ item number and serial number of your crib, the name of the store where you made the purchase , the date of purchase and the wood finish in the box to the lower right.

**WE WILL ASK YOU FOR YOUR SERIAL NUMBER FOR ALL WARRANTY AND REPLACEMENT PART REQUESTS. PLEASE REFER TO THE LAST PAGE OF THIS INSTRUCTION SHEET FOR WARRANTY INFORMATION. KEEP THIS MANUAL INSIDE THE PLASTIC HOLDER ATTACHED TO THE MATTRESS SUPPORT FOR FUTURE REFERENCE.**

**“CAUTION: ANY MATTRESS USED IN THIS CRIB MUST BE AT LEAST 36.5 INCHES BY 23 INCHES WITH A THICKNESS NOT EXCEEDING 5 INCHES.”**

MODEL/ITEM NUMBER	XXXXXXXX
SERIAL NUMBER	XXXX
DATE OF MANUFACTURE	XX/XX

THIS PRODUCT CONFORMS TO THE APPLICABLE REGULATIONS OF THE CONSUMER PRODUCTS SAFETY COMMISSION.



855 WASHINGTON BLVD.  
MONTEBELLO, CA 90640  
www.milliondollarbaby.com

SAMPLE LABEL

Model Number: \_\_\_\_\_

Serial Number: \_\_\_\_\_

Store Where Purchased: \_\_\_\_\_

Date of Purchase: \_\_\_\_\_

Wood Finish: \_\_\_\_\_

**Please read the Caution and Warning Statements insert before using your crib.**



## WARNING:

Failure to follow these warnings and assembly instructions could result in serious injury or death.



## WARNING:

- Strings can cause strangulation! Do not place items with a string around a child's neck, such as hood strings or pacifier cords. do not suspend strings over a crib or attach strings to toys.
- **DO NOT** place a crib near a window where cords from blinds or drapes may strangle a child.
  - Always provide the supervision necessary for the continued safety of your child. When used for playing never leave child unattended.
  - To reduce the risk of SIDS, pediatricians recommend healthy infants be placed on their back to sleep, unless otherwise advised by your physician.
  - Keep wall decoration, especially those with strings, completely out of a child's reach.
  - Before each usage or assembly, inspect crib for damaged hardware, loose joints, missing parts or sharp edges. **DO NOT** use the crib if any parts are missing or broken. Ask your dealer or contact manufacturer for replacement parts and instructional literature if needed. **DO NOT** substitute parts.
  - Check fasteners periodically for tightness. Do not overtighten. This may cause distortion or breakage.
  - When a child is able to climb out, reaches the height of 35 inches (90cm) or when the height of the side rail is less than 3/4 of the child's height, the crib shall no longer be used.
  - If refinishing, use only a non-toxic finish specified for children's products.
  - When a child is able to pull to a standing position, set the mattress to the lowest position and remove bumper pads, large toys and other objects that could serve as steps for climbing out.
  - Never use plastic shipping bags or other plastic films as mattress covers because they can cause suffocation.
  - **DO NOT** use a water mattress with this crib.
  - Replace teething rail(s) if damaged, cracked or loose.
  - Use a crib as a crib, not as a play pen. Remember that a crib is not a substitute for a parent's supervision.
  - Parents should ensure a safe environment for their child by checking the crib regularly before placing the child in the product. Please make sure that every component is properly and securely in place.
  - When re-assembling the crib for your second child, please keep in mind that the screw holes will need to be filled in order for the screws to grip the wood, Talk to your local hardware store or lumber yard about how to do this properly.

## ONE YEAR LIMITED WARRANTY:

We will replace any missing parts at the time of purchase or any defective item within a one year period from the date of original purchase. Please keep your receipt so that we may process your warranty request. This warranty only covers new units with original packaging and ownership, and is not transferable. It does not cover any used, secondhand or demo models.

This warranty does not cover any damaged or defective parts that result from installation and assembly, normal wear and tear, abuse, negligence, improper use or alteration to the finish, design, and hardware of the crib. The specific legal rights of this warranty may vary from state to state. Some states do not allow any exclusion or limitation of incidental damages. Some states do not allow limitation on how long an implied warranty lasts.

**Registering your product is even easier than before. You can register your product on our website at [www.milliondollarbaby.com](http://www.milliondollarbaby.com)**

### Care and Cleaning:

Do not scratch or chip the finish. Do not use abrasive chemicals for cleaning. Clean with mild soap on a soft rag. rinse and dry thoroughly. If you ever refinish this furniture, be sure to use only a non-toxic finish specified for children's products. If you choose to refinish this furniture, the warranty will be voided.

IF YOU WOULD LIKE TO ORDER REPLACEMENT OR MISSING PARTS PLEASE VISIT US AT:  
**WWW.MILLIONDOLLARBABY.COM**

OR YOU CAN CONTACT US BY MAIL

**MILLION DOLLAR BABY  
855 WASHINGTON BLVD.  
MONTEBELLO, CA 90640**