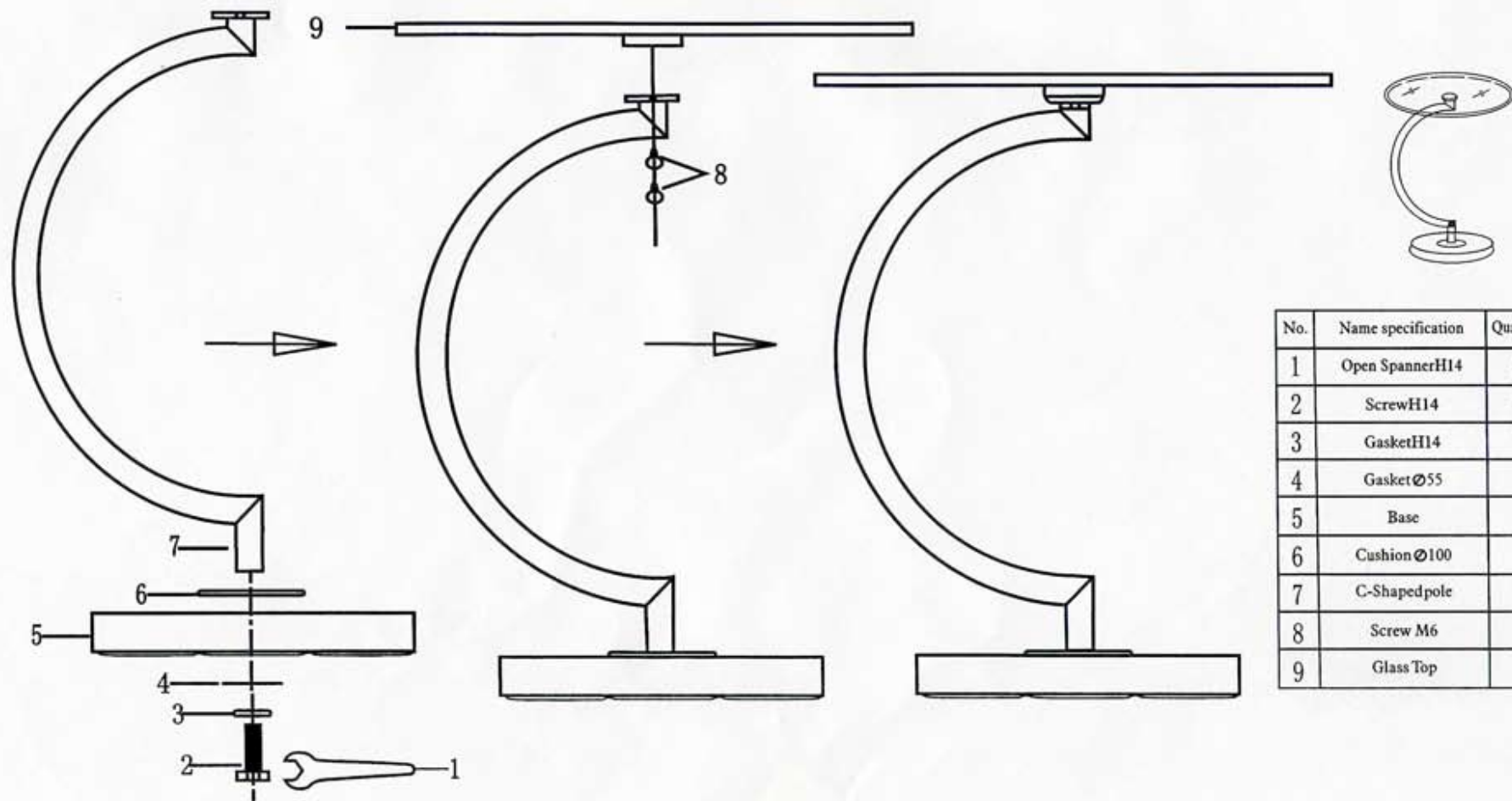


Part # TB-C

13-1111

INSTRUCTION TB-"C" TABLE

LumiSource, Inc.



No.	Name specification	Quantity
1	Open SpannerH14	1
2	ScrewH14	1
3	GasketH14	1
4	Gasket Ø55	1
5	Base	1
6	Cushion Ø100	1
7	C-Shapedpole	1
8	Screw M6	2
9	Glass Top	1