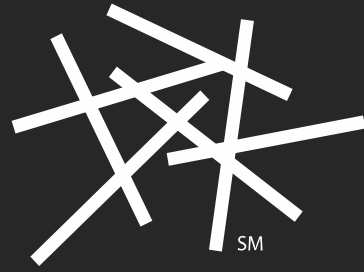
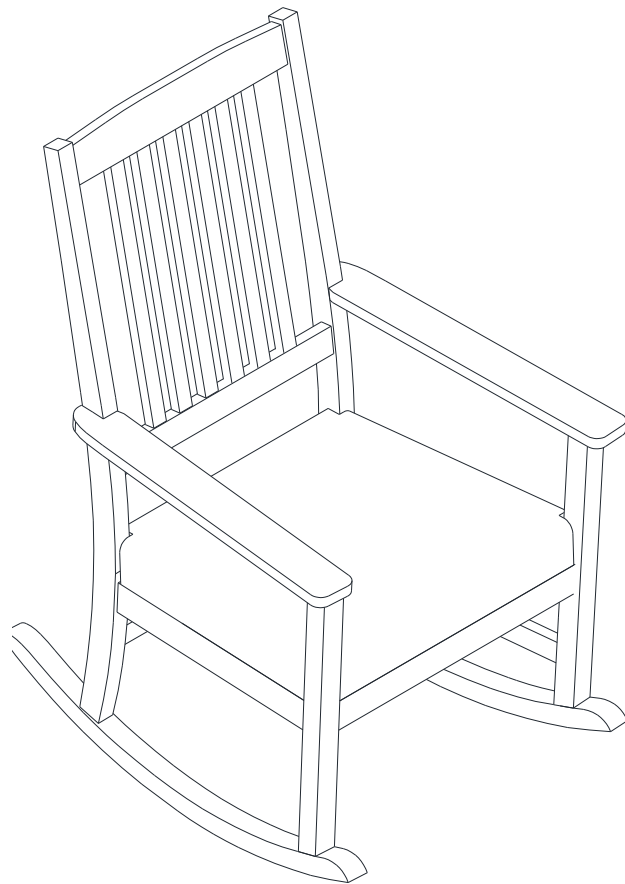


# hayneedle



**ITEM NAME:** FINLEY HOME UPHOLSTERED MISSION ROCKER

**SKU:** LIV033-1, LIV034-1



**For assistance with assembly, please contact  
Hayneedle Customer Care Center  
1-888-880-4884**

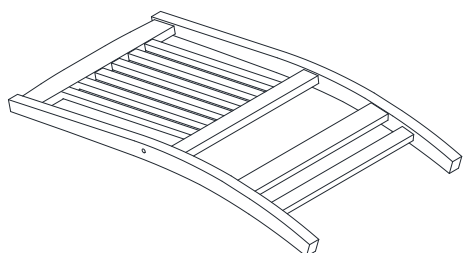
## PRE-ASSEMBLY PREPARATION:



THIS PACKAGE MAY CONTAIN SMALL ITEMS WHICH SHOULD BE KEPT AWAY FROM CHILDREN

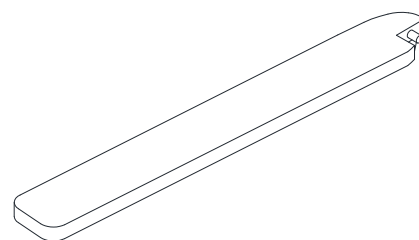
- Please check that all parts and hardware are included before beginning assembly.
- Save all packing materials until assembly is complete to avoid accidentally discarding smaller parts or hardware.
- Read through the preparation and assembly instructions in full before beginning assembly.
- Please use CAUTION AND CARE WHEN LIFTING the product to avoid personal injury and (or) damage to the product.
- For ease of assembly, two adults are recommended.

## PARTS IDENTIFICATION:



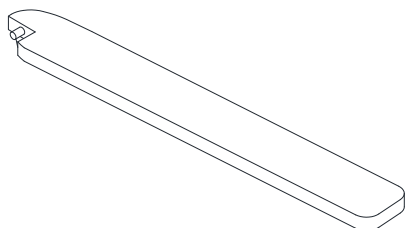
CHAIR BACK (A)  
1057 x 533 105 mm

Qty: 1



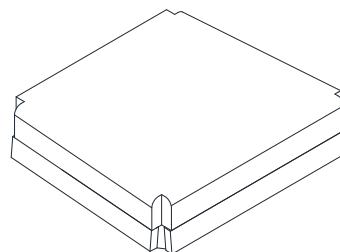
LEFT ARM (B1)  
615x 80 x 20mm

Qty: 1



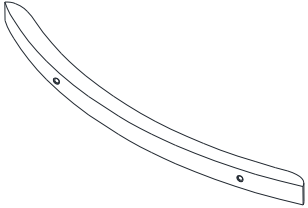
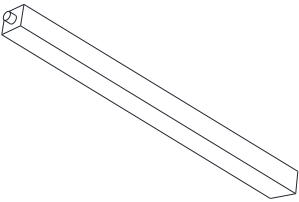
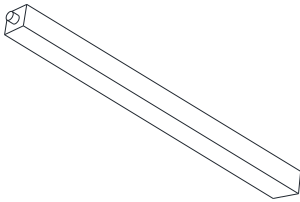
RIGHT ARM (B2)  
615 x 80x 20 mm

Qty: 1

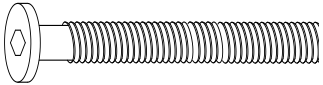
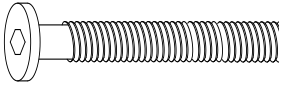
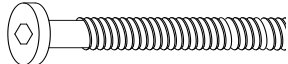

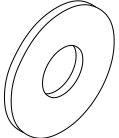

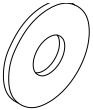
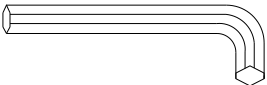



CHAIR SEAT (C)  
491x 590 x 58 mm

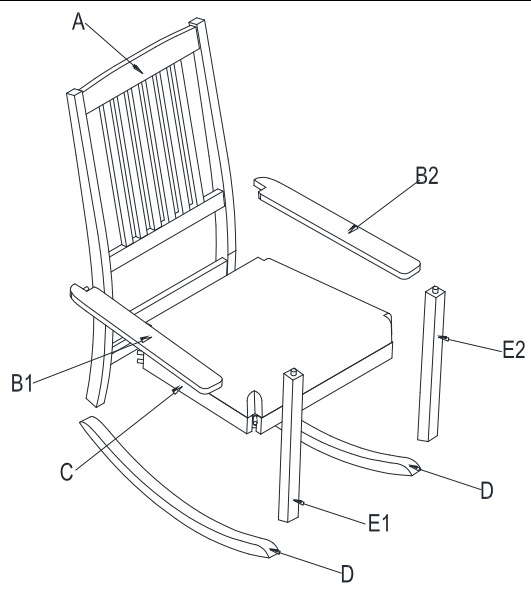
Qty: 1

 <p>BASE (D) Qty:2 832 x 36 x 40 mm</p>	 <p>FRONT LEFT LEG (E1) Qty:1 549 x 40x 40 mm</p>	 <p>FRONT RIGHT LEG (E2) Qty:1 549 x 40 x 40 mm</p>
--	--	--

**HARDWARE LIST:** Scaled to Actual Size

<p>← 5/16"x75 →</p>  <p>Long Bolt (1) Qty: 8</p>	<p>← 5/16"x38 →</p>  <p>Short Bolt (2) Qty: 2</p>	<p>← 1/4"x50 →</p>  <p>Thin Bolt (3) Qty: 4</p>
<p>← 13.0 →</p>  <p>Big Lock Washer (4) Qty: 10</p>	<p>← 19 →</p>  <p>Big Flat Washer (5) Qty: 10</p>	<p>← 10.5 →</p>  <p>Small Lock Washer (6) Qty: 4</p>
<p>← 12.0 →</p>  <p>Small Flat Washer (7) Qty: 4</p>	<p>← M4x60 →</p>  <p>Allen Key (8) Qty: 1</p>	<p>← M4x38 →</p>  <p>Screw (9) Qty: 4</p>

**STRUCTURAL DIAGRAM:**



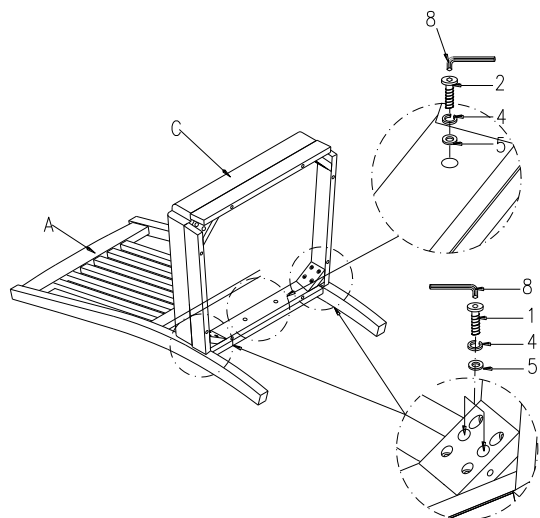
**Additionally Assembly Notes:**

- Read these instructions carefully before assembling.
- Wait to dispose of the packing material until assembly is complete and all parts and hardware are accounted for.
- More than one person might be required for assembly. Check fasteners periodically to be sure they do not loosen.

**STEP-BY-STEP ASSEMBLY:**

**1**

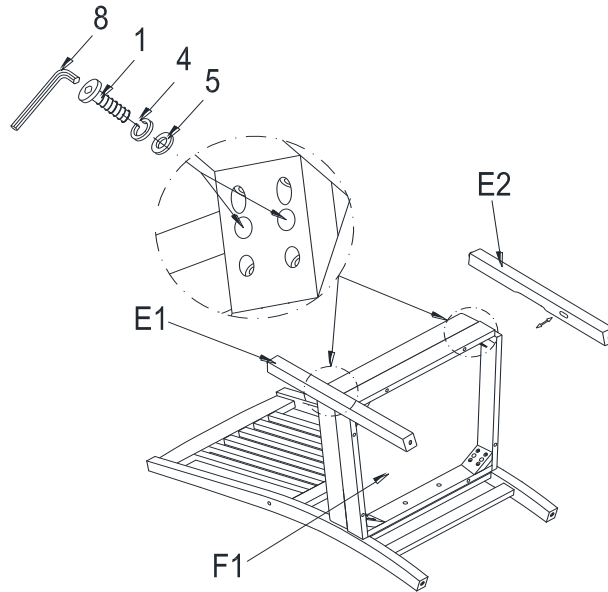
**STEP 1:** Place chair back (A) lie down on soft surface, align and fasten chair seat (C) to chair back using short bolt (2), big lock washer (4) and big flat washer (5) for 2 pre-holes at the middle of the seat, tighten all bolt with Allen Key (8). Then, continue to use long bolt (1), Big lock washer (4) and Big flat washer (5) to fasten the seat to the back at the corner block, tighten All Bolts with Allen key (8).







2 PCS	4PCS	6 PCS	6 PCS	1 PC
Short Bolt (2) 5/16 "x38mm	Long Bolt (1) 5/16 "x75mm	Big Lock Washer (4) 5/16 "x13mm	Small Flat Washer (5) 5/16 "x19mm	Allen Key (8) M4x60mm

2

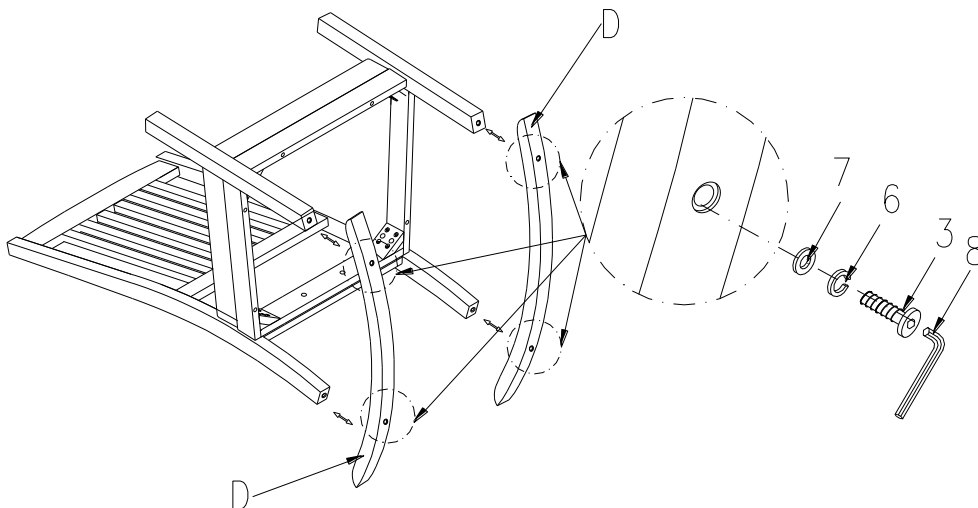
**STEP 2:** Align and fasten Front Left Leg and Front Right Leg (E1)(E2) to chair Seat (C) using long bolt (1), big lock washer (4) and Big flat washer (5), tighten with Allen key (8).







4 PCS	4 PCS	4 PCS	1 PC
			
Long Bolt (1) 5/16 "x75mm	Big Lock Washer (4) 5/16 "x13mm	Big Flat Washer (5) 5/16 "x19mm	Allen Key (8) M4x60mm

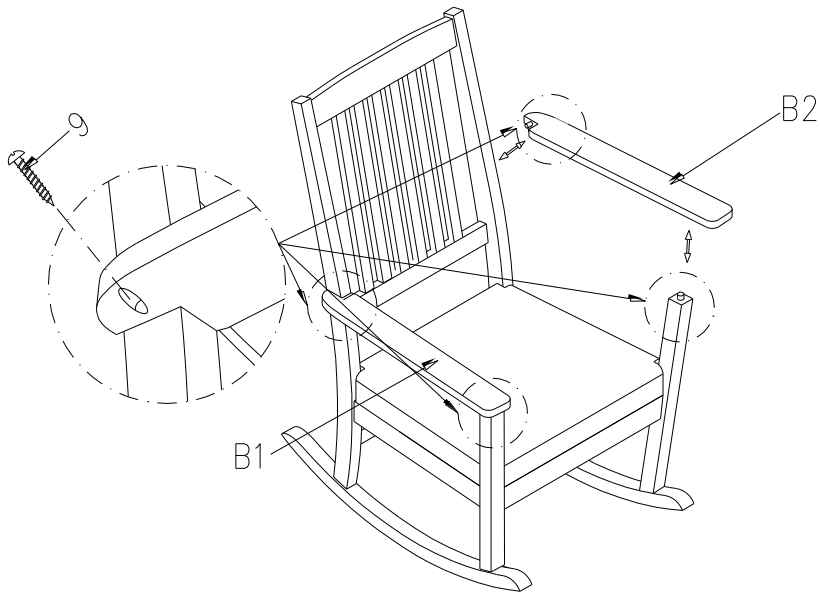
3

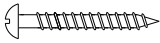
**STEP 3:** Fasten the Base (D) to the front leg (E1)(E2) and chair back (A) using thin bolt (3), small lock washer (6) and small flat washer (7) and tighten with Allen Key (8).



4 PCS	4 PCS	4 PCS	1 PC
			
Thin Bolt (3) 1/4" x50mm	Small Lock Washer (6) 1/4" x10.5mm	Small Flat Washer (7) 1/4" x12mm	Allen Key (8) M4x60mm

**4** **STEP 4:** Stand the chair up then align and fasten Left and Right Arm **(B1)(B2)** to chair back **(A)** and front leg **(E1)(E2)**, using screw **(9)**.



4 PCS

Screw (9) M4x38mm



**For assistance with assembly, please contact customer service  
1-888-880-4884**