

ASSAMBLY INSTRUCTION CHALKBOARD DESK & CHAIR

Style # 554

Adult assembly required, Age 3 and up

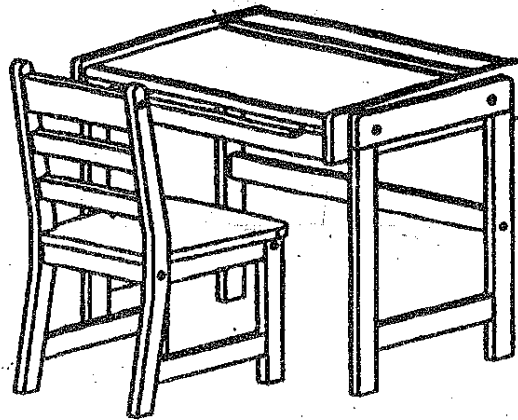
Lipper

International Inc.

235 Washington Street, Wallingford, CT 06492

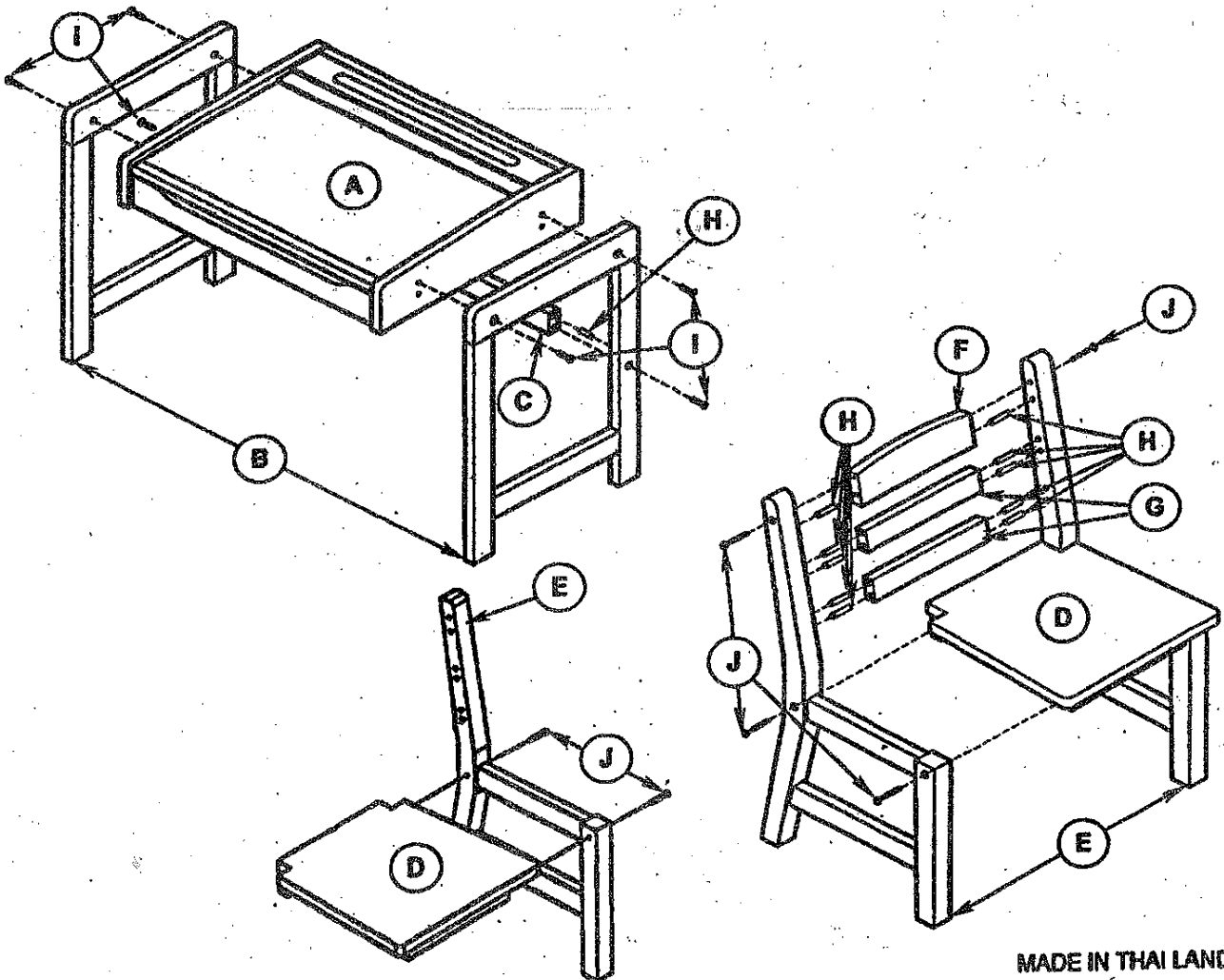
PART LIST

A	DESK TOP	1	PC.
B	DESK LEG FRAME	2	PCS.
C	LEG SUPPORT	1	PC.
D	SEAT	1	PC.
E	CHAIR LEG FRAME	2	PCS.
F	TOP BACK REST	1	PC.
G	MIDDLE BACK REST	2	PCS.
H	WOOD DOWEL	12	PCS.
I	SHORT SCREW	6	PCS.
J	LONG SCREW	6	PCS.
K	ALLEN KEY	1	PC.



INSTRUCTION

- 1 Attach Desk leg frame "B" to the side of the Desk top "A" using Short screw "I" and Wood dowel "H".
- 2 Attach Seat "D" to one of the Chair leg frame "E" using Long screw "J".
- 3 Attach Top back rest "F" & Middle back rest "G" to the Chair leg frame "E" using Wood dowel "H" and Long screw "J". Repeat step 1 on the other side of the Chair leg frame "E".



MADE IN THAI LAND