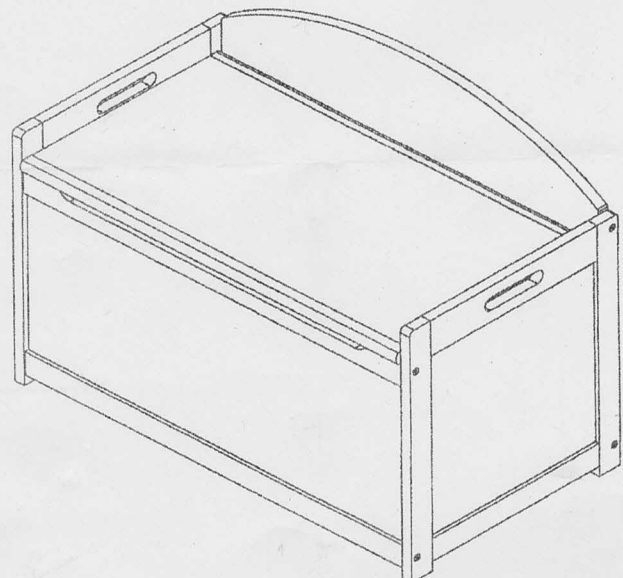
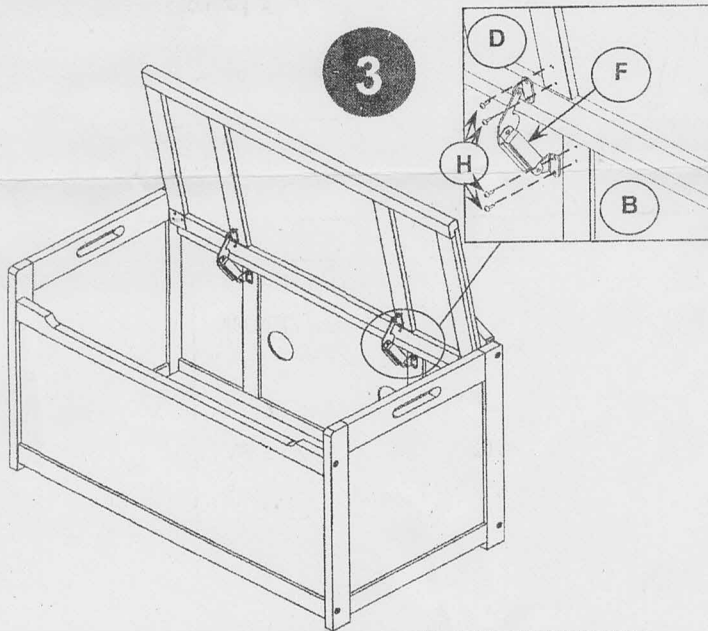
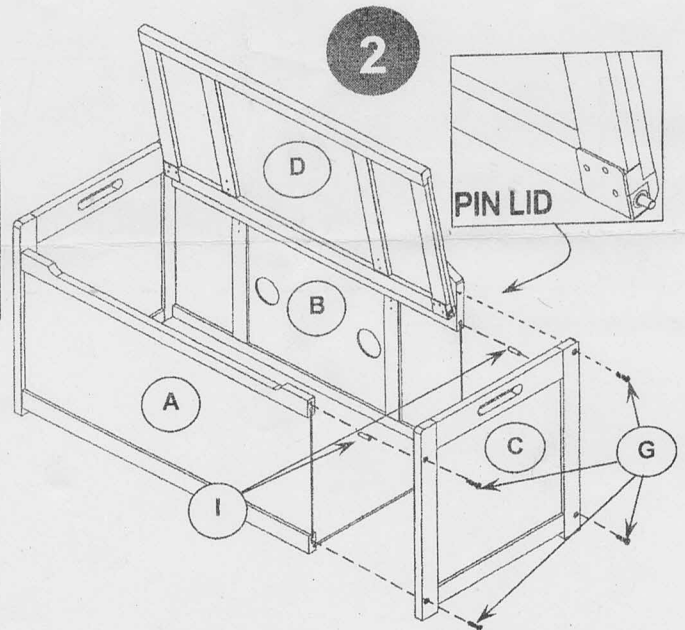
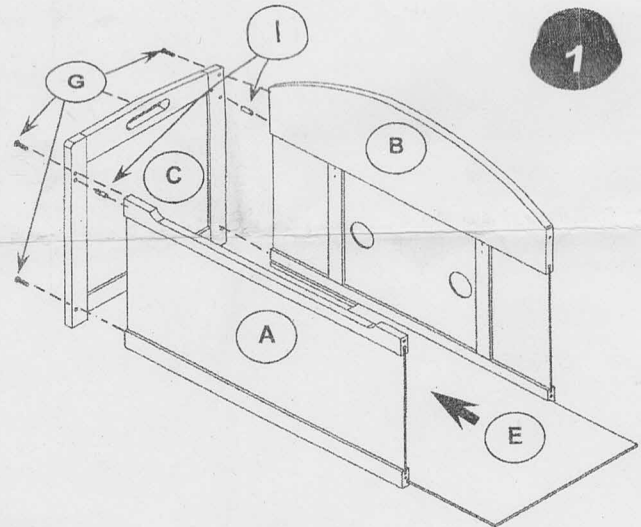


ASSEMBLY INSTRUCTIONS
TOY CHEST
 Style # 598

Lipper
 International Inc.

235 Washington Street, Wallingford, CT 06492
 Tel. (800) 243 - 3129

1. ATTACH SIDE PANEL (C) TO FRONT PANEL (A) AND BACK PANEL (B) USING 1 1/2" SCREWS (G) AND WOOD DOWEL (I), TIGHTEN WITH ALLEN KEY (J) INSERT BASE (E) INTO GROOVE BETWEEN FRONT PANEL (A) AND BACK PANEL (B)
2. INSERT LID PIN AT THE BOTTOM OF LID (D) INTO PIVOT HOLES IN SIDE PANEL (C), THEN REPEAT STEP 1 ON THE OTHER SIDE OF SIDE PANEL (C)
3. ATTACH LID SUPPORT (ALSO KNOWN AS SAFETY RELEASE HINGE) (F) TO THE BACK PANEL (B), AND THEN ATTACH TO THE LID (D) USING 1/2" SCREWS (H), TIGHTEN WITH PHILLIPS HEAD SCREWDRIVER. *** MUST BE ATTACHED LID SUPPORT WITH BACK PANEL FIRST.



PARTS LIST

QTY	NO	DESCRIPTION
1	A	FRON PANEL
1	B	BACK PANEL
2	C	SIDE PANEL
1	D	LID
1	E	BASE
2	F	LID SUPPORT (ALSO KNOWN AS SAFETY RELEASE HINGE)
8	G	1 1/2" SCREW
8	H	1/2" SCREW
4	I	WOOD DOWEL