



## Assembly Instructions

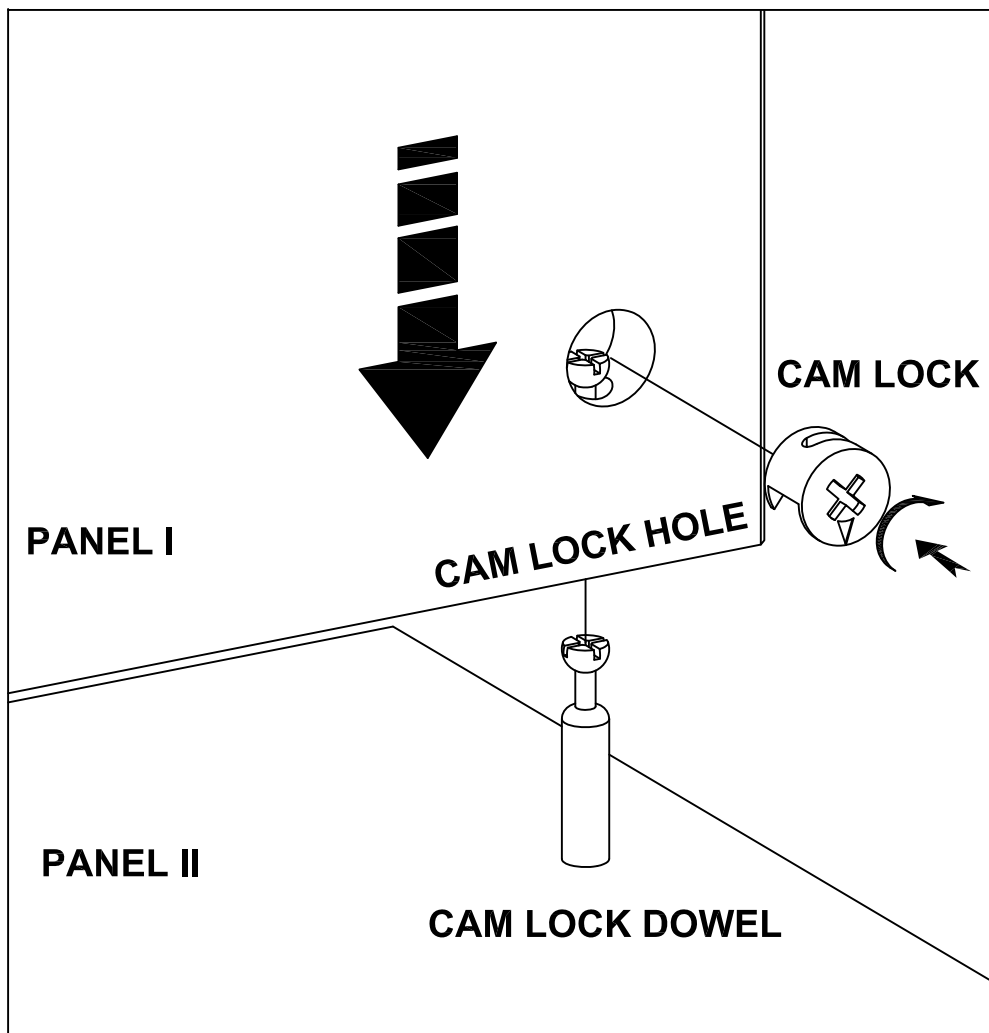
ITEM Number :	LFY269-6	(Vanilla)
	LFY269-7	(Espresso)
	LFY269-8	(Pecan)
	LFY269-9	(Blue Jean)
	LFY269-10	(Pink Parfait)

Product Name: Single Stacking Cubby

### PRE-ASSEMBLY PREPARATION:

- Read the Assembly Instructions in full before you begin to assemble.
- Please check all contents of this package before attempting to assemble the product.
- Please use **CAUTION AND CARE WHEN LIFTING** the product to avoid personal injury and (or) damage to the product.
- For ease of assembly, two people are recommended.
- The expected time required for assembly is about 20-30 minutes.
- The hardware packet contains **SMALL ITEMS** which should be **KEPT AWAY FROM CHILDREN**.
- A full checklist of components is provided. If any components are missing, please contact the retailer from whom you have purchased this product or Hayneedle's Customer Care Center.

**ADULT ASSEMBLY REQUIRED.**



## **CAM LOCK INSTRUCTION:**

### **STEP 1:**

- \*THIS CABINET IS ASSEMBLED WITH CAM LOCK SET.
- \*SCREW CAM LOCK DOWEL INTO PANEL II.
- \*INSERT CAM LOCK INTO PRE-DRILLED HOLE IN PANEL I
- \*ROTATE CAM LOCK UNTIL ARROW IS IN LINE WITH HOLE ON PANEL EDGE.

### **STEP 2:**



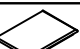



- \*ALIGN CAM LOCK DOWEL TO CAM LOCK HOLE ON PANEL I, AND PRESS PANEL I & II TOGETHER.

### **STEP 3:**

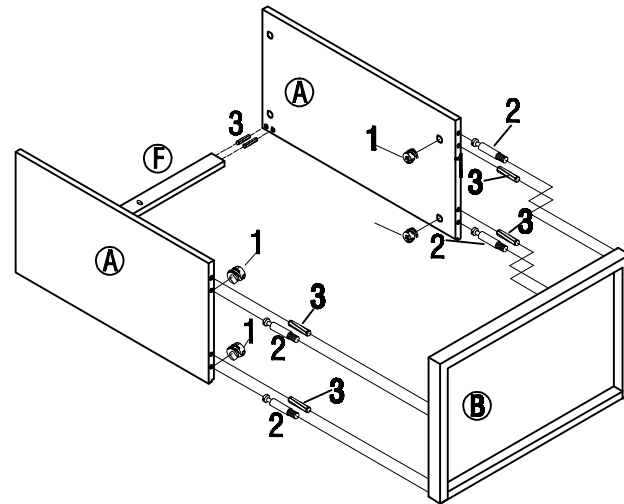
- \*LOCK PANELS TOGETHER BY TURNING CAM LOCK CLOCKWISE UNTIL TIGHT.

# ASSEMBLY INSTRUCTION

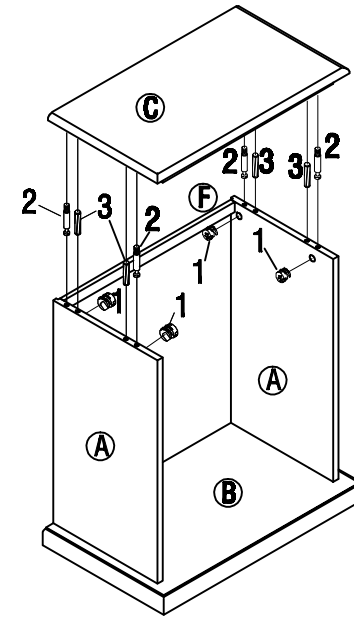
ITEM NO:





	PARTS	QTY
A		2PC
B		1PC
C		1PC
D		1PC
E		1PC
F		1PC

①

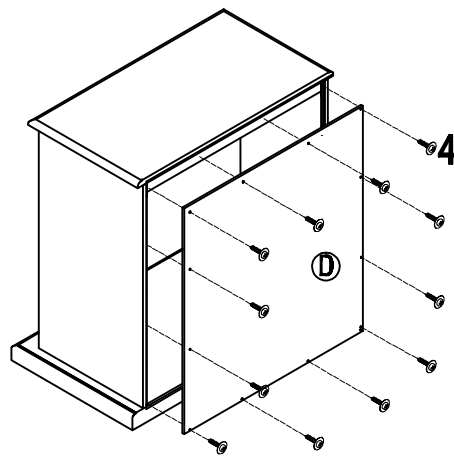


②



1		8PCS
2		8PCS
3	 Ø6*30	12PCS
4		16PCS

③



④

