

hayneedle



1.888.880.4884

Assembly Instructions

ITEM Number : LFY120-1 / LFY121-1 / LFY122-1 (Vanilla, Pecan, Espresso)

Product Name: Classic Playtime Deluxe Activity table












PRE-ASSEMBLY PREPARATION:








- Please check all contents of this package before attempting to assemble the product.
- A full checklist of components is provided. If any components are missing, please contact the retailer from whom you have purchased this product. Read the Assembly Instructions in full before you begin to assemble.
- The expected time required for assembly is about 20-30 minutes.
- Please use **CAUTION AND CARE WHEN LIFTING** the product to avoid personal injury and (or) damage to the product.
- For ease of assembly, two people are recommended.
- The hardware packet contains **SMALL ITEMS** which should be **KEPT AWAY FROM CHILDREN**.

ADULT ASSEMBLY REQUIRED.

Parts B, C and D are set of 17" high legs; Parts I, J and K are set of 22" high legs, you could select each set to assemble.

Panel and Fittings Identification:

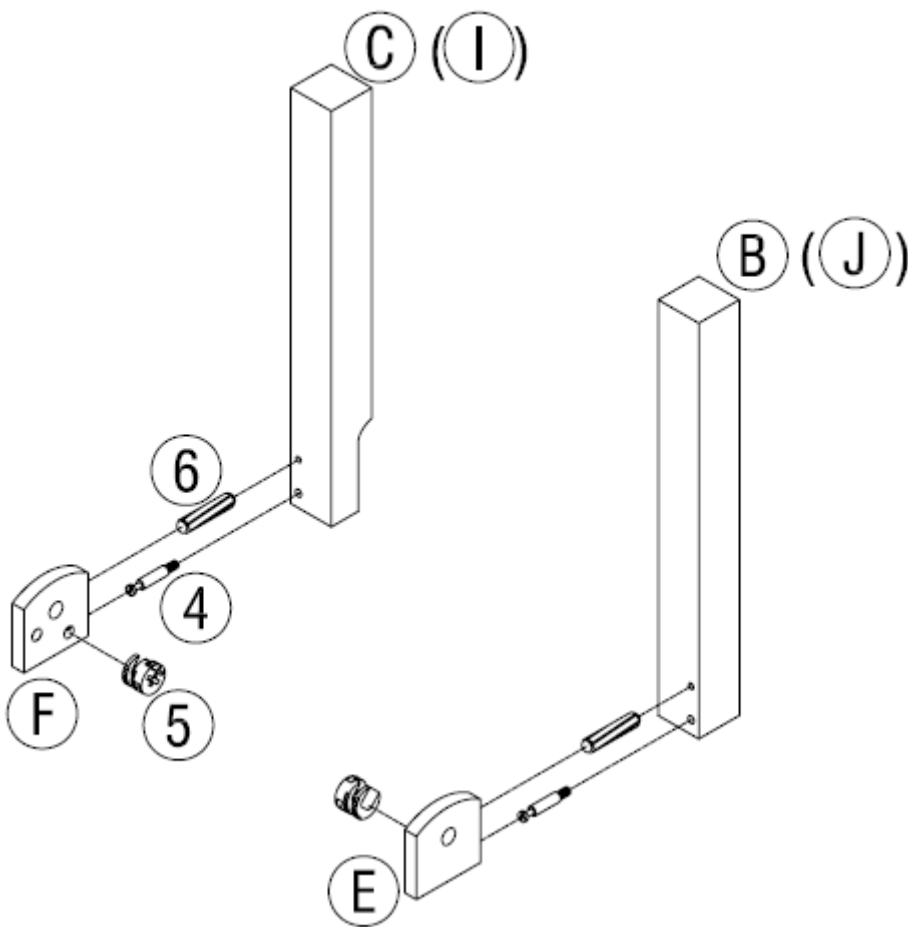
	PARTS	Q'TY
A		1PC
B	 17"	1PC
C	 17"	1PC
D	 17"	2PCS
E		1PC
F		1PC
G		2PCS
H		1PC
I	 22"	1PC
J	 22"	1PC
K	 22"	2PC

	PARTS	Q'TY
1		8PCS
2		8PCS
3		8PCS
4		4PCS
5		4PCS
6		2PCS
7		1PC

Step By Step Assembly Instructions

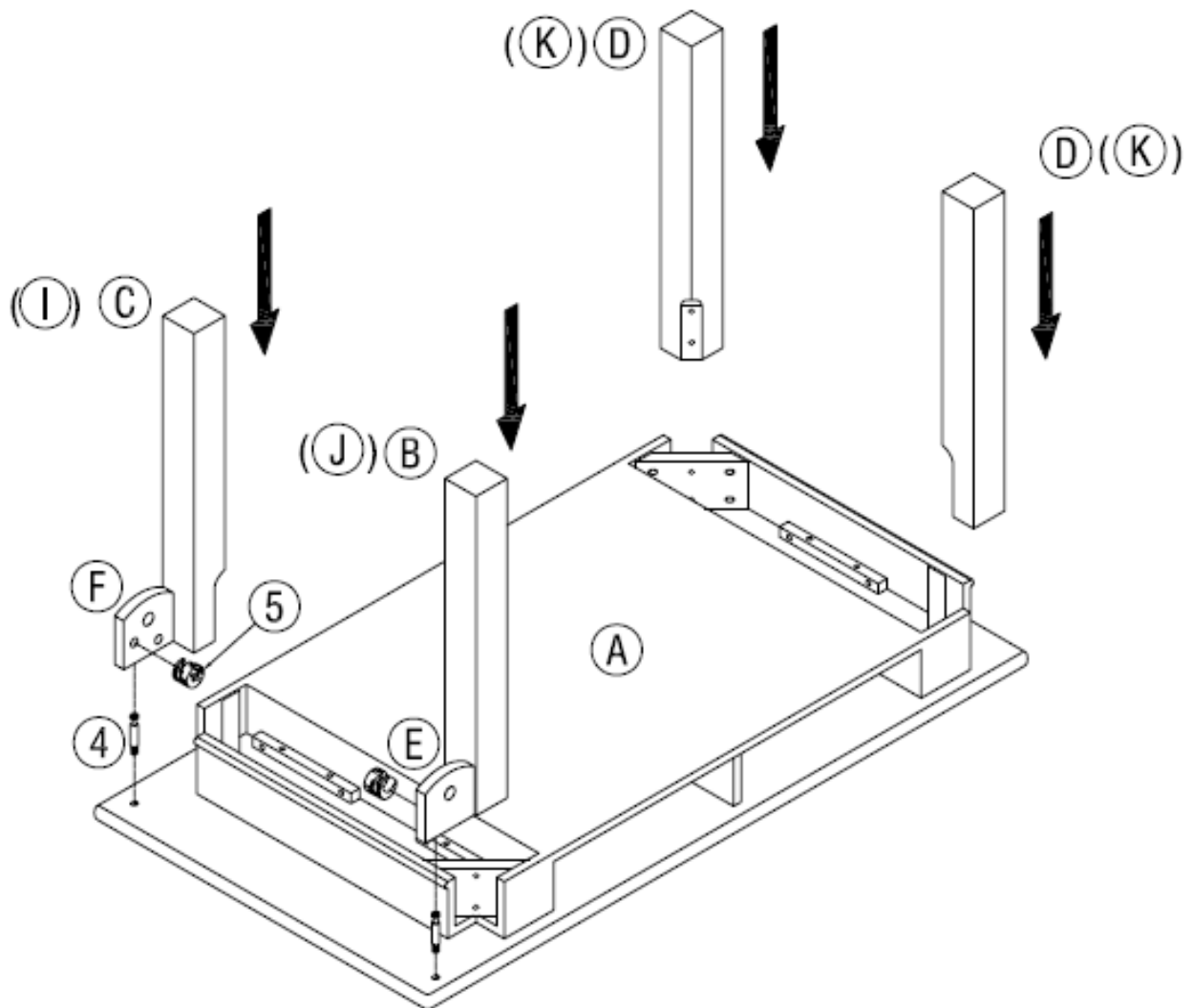
Step 1:

Pre-assemble Legs (B, C or I, J) with 1 Pin (4) and 1 Dowel (6) respectively. Attach Bar Support Panel (F) to Leg(C or I) locks with 1 Cam (5). Attach Bar Support Panel (E) to Leg (B or J) locks with 1 Cam (5).



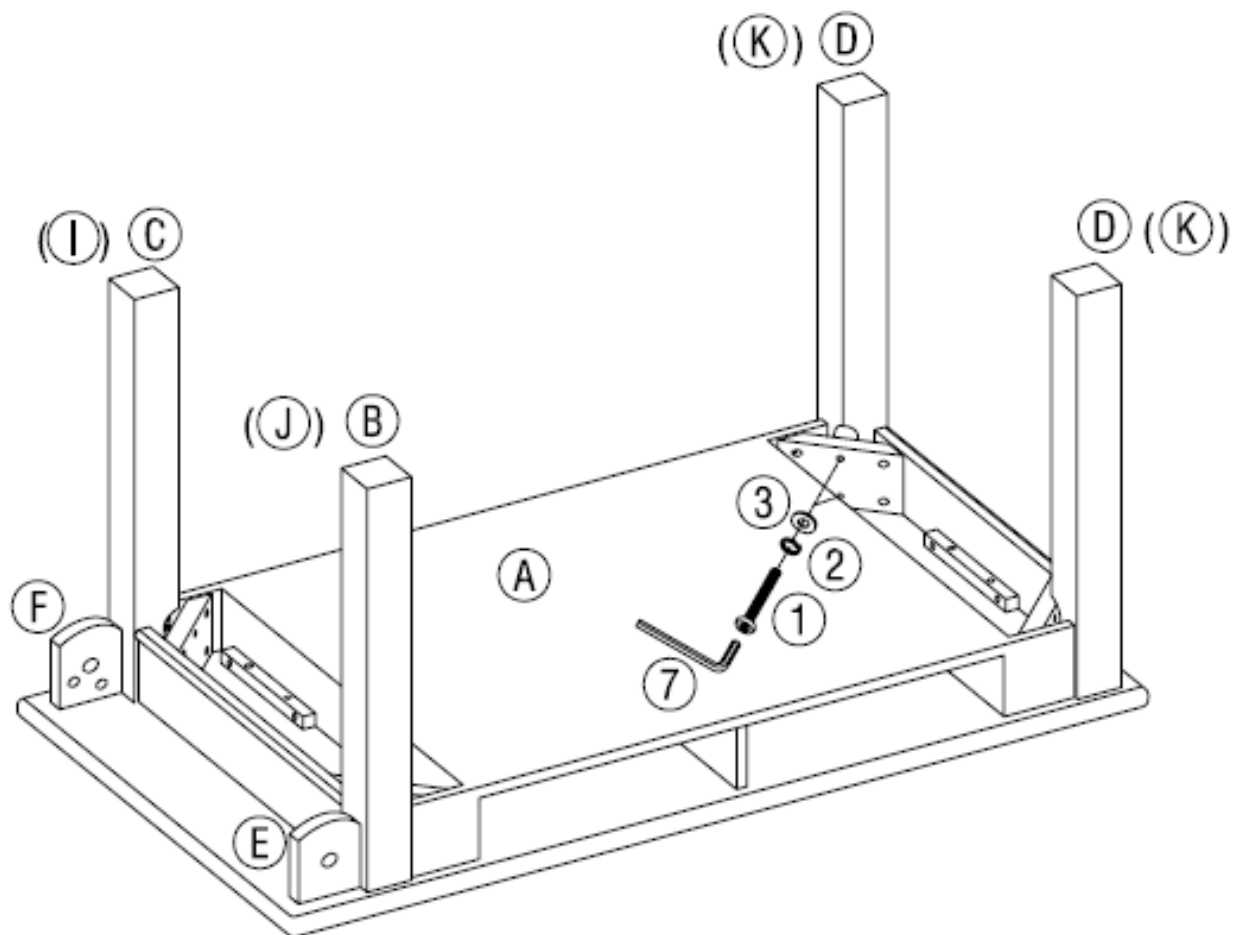
Step 2:

Identify the Legs' position to the Desk Top (A). Fasten 2 Pins (4) to the bottom side of Desk Top (A). Attach Legs (B, C or I, J) to the Desk Top (A) with 2 Cams (4).



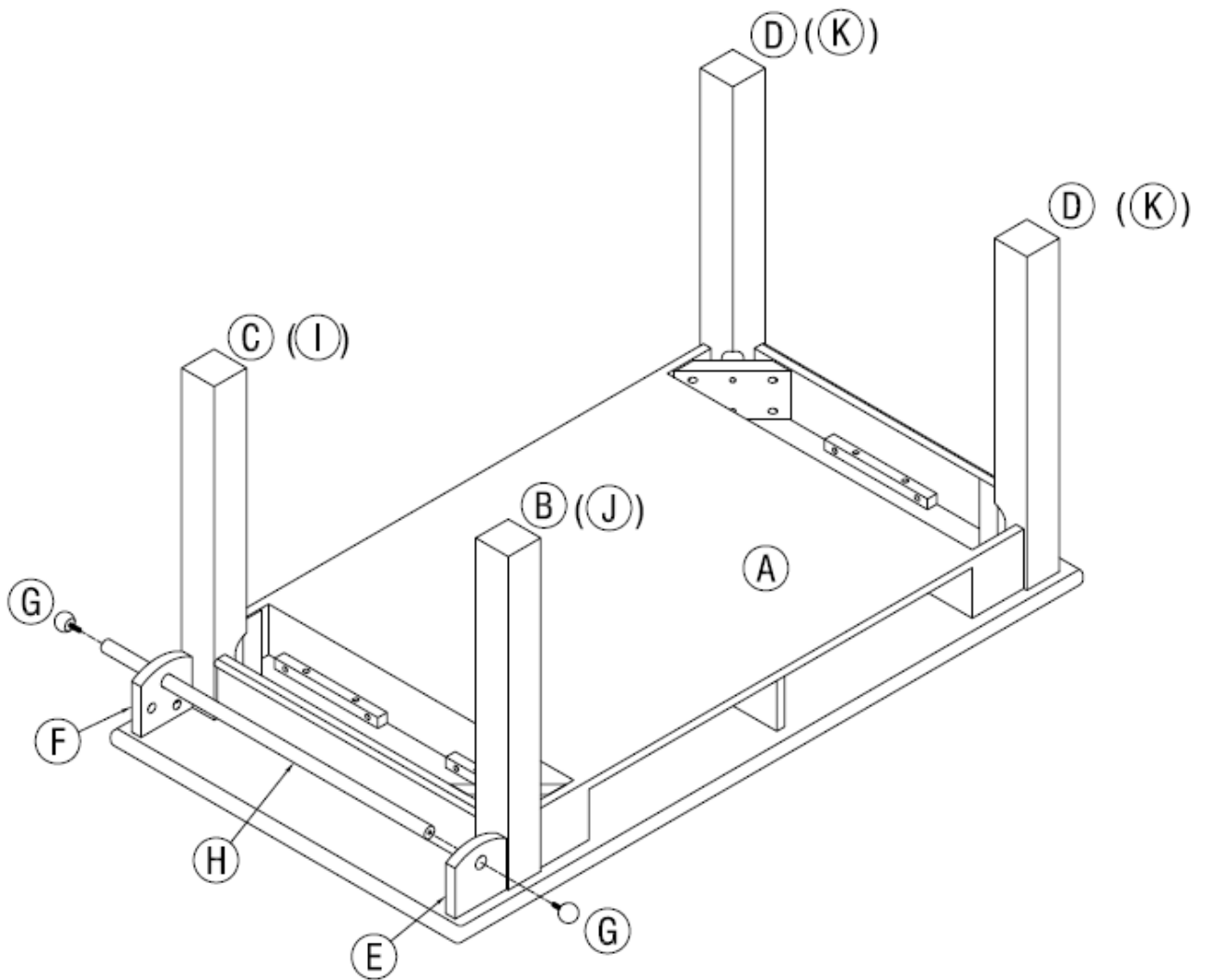
Step 3:

Fix 4 Legs (B, C, D or I, J, K) to Desk Top (A) with 4 Bolts (1), 4 Rings (2) and 4 Washers (3) by an Allen Wrench (7).

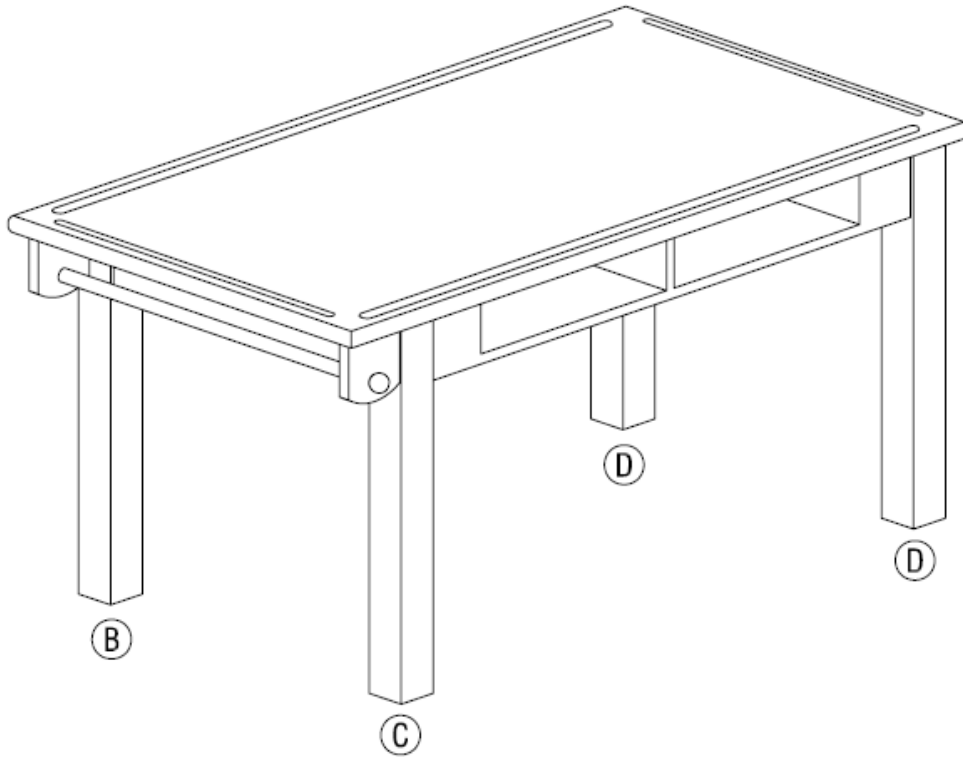


Step 4:

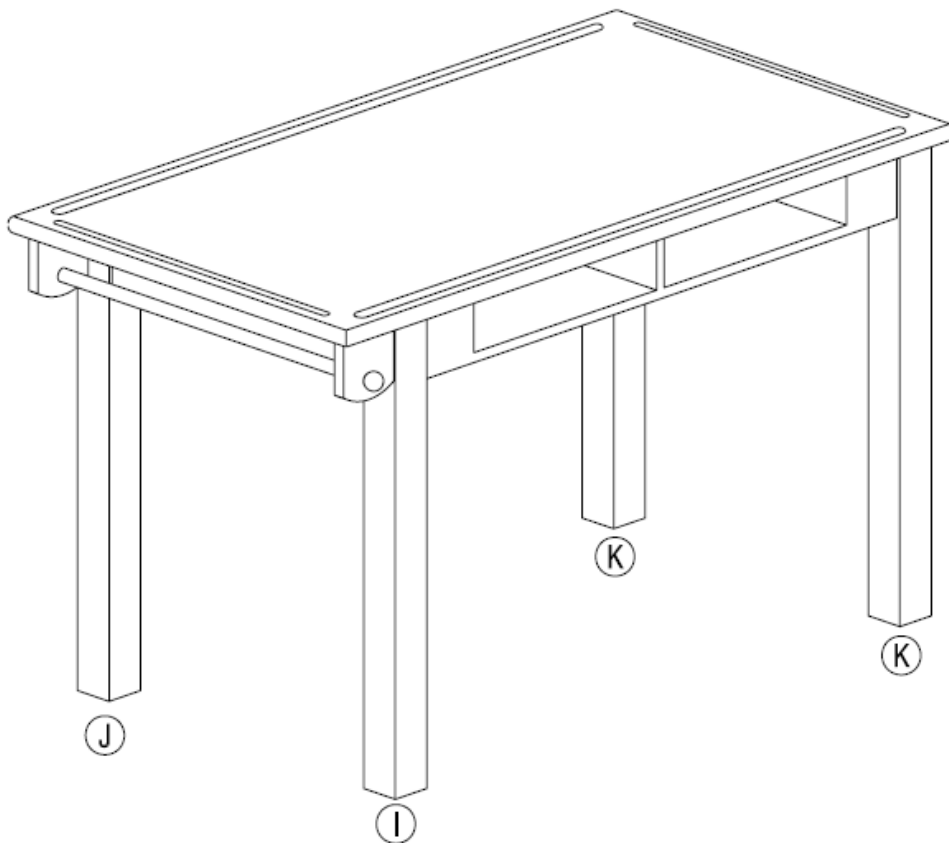
Insert Bar (H) to the Bar Support Panels (E, F), and fix the two ends with 2 Knobs (G).



Step 5:



Step 6:



Thank you for your Purchase.