



---

## **Assembly Instructions**

ITEM # LFY023-1/LFY024-1/LFY025-1(Vanilla, Espresso, Pecan)






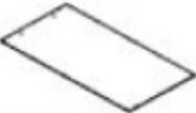

### **Storage Tower**








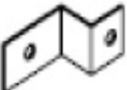

#### **PRE-ASSEMBLY PREPARATION:**

Please check all contents of this package before attempting to assemble the product. A full checklist of components is provided. If any components are missing, please contact the retailer from whom you have purchased this product. Read the Assembly Instructions in full before you begin to assemble. Please use CAUTION AND CARE WHEN LIFTING the product to avoid personal injury and (or) damage to the product. For ease of assembly, two people are recommended. The hardware packet contains SMALL ITEMS which should be KEPT AWAY FROM CHILDREN.

**ADULT ASSEMBLY REQUIRED.**

**Panel and Fittings Identification:**

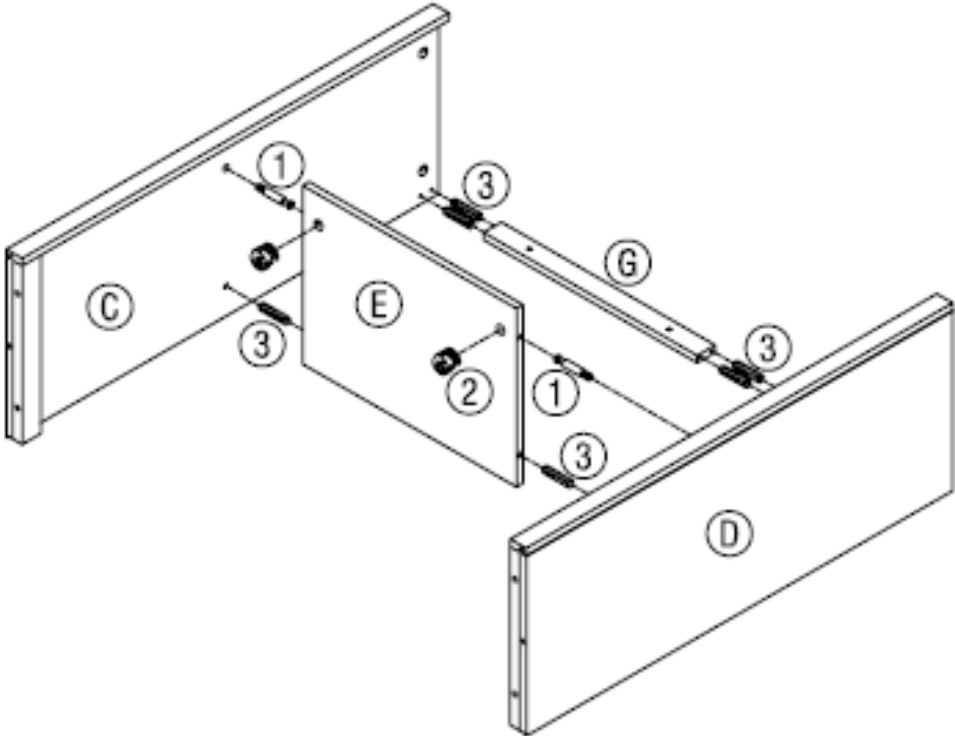
	PARTS	Q'TY
A		1PC
B		1PC
C		1PC
D		1PC
E		1PC
F		1PC
G		1PC

1		6PCS
2		6PCS
3		8PCS
4		16PCS
5		4PCS
6		1PC
7		4PCS
8		2PCS
9		1SET

**Step By Step Assembly Instructions**

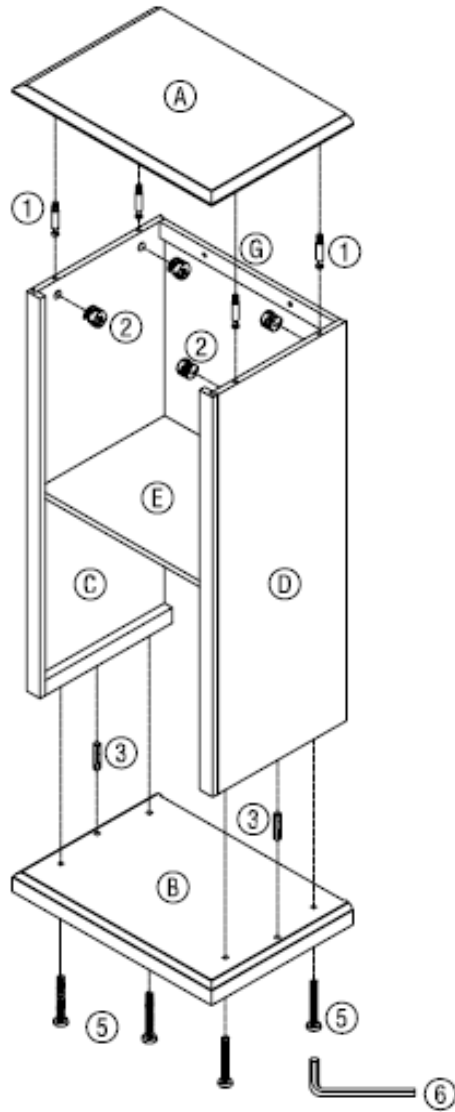
**Step 1:**

Pre-assemble Panel (C/D) with Pin (1) and Dowel (3). Assemble Panel (E) to Panel (C/D), Stretcher (G) to Panel (C/D), and lock with Cam (2) as shown.



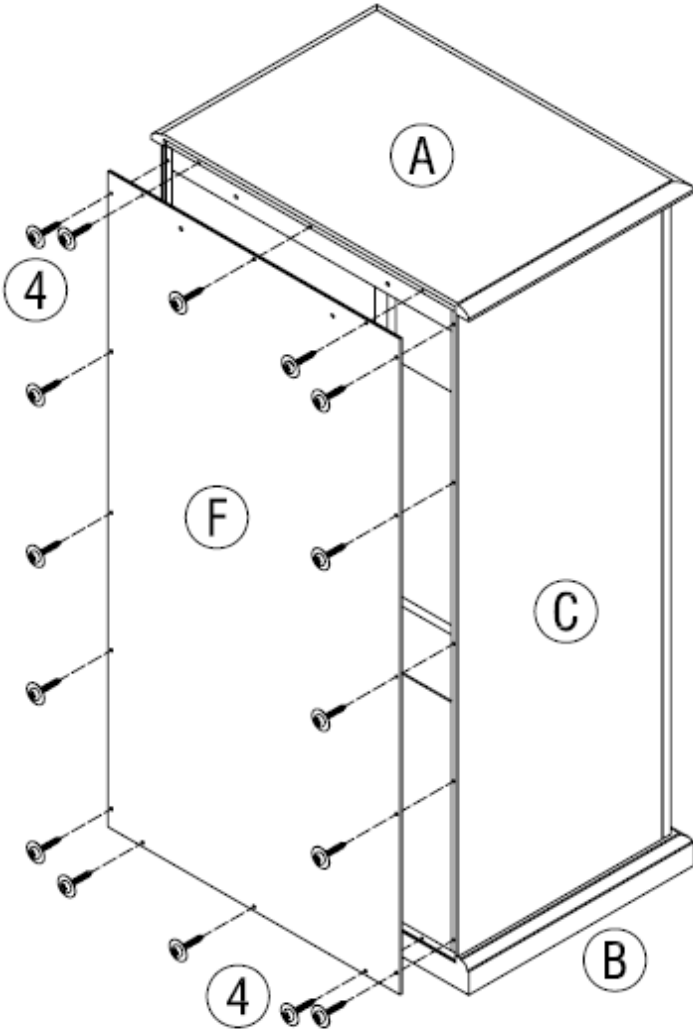
**Step 2:**

Pre-assemble Top Panel (A) with Pin (1), Bottom Panel (B) with Dowel (3). Assemble Top Panel (A) to Assembled unit, lock with Cam (2). Attach Bottom Panel (B) to assembled unit with Bolt (5) from bottom side by Allen Wrench (6).



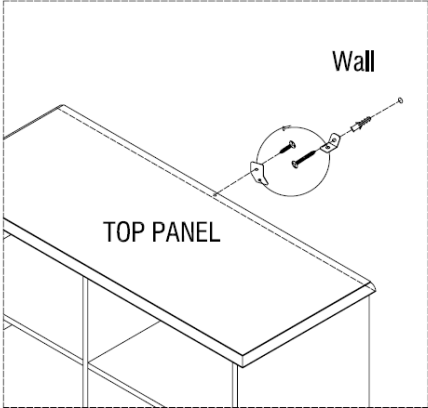
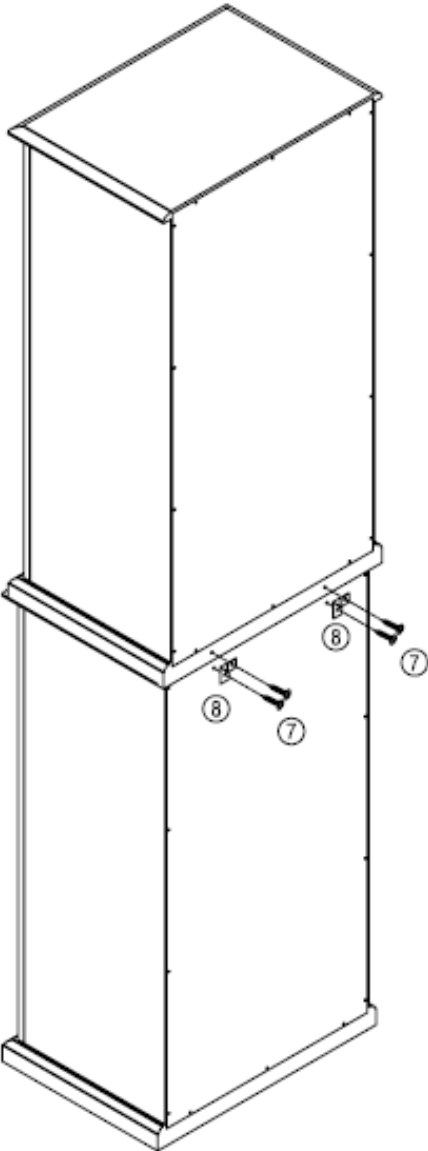
**Step 3:**

Attach Back Panel (F) to assembled unit with Bolt (4) by screwdriver.



**Step 4:**

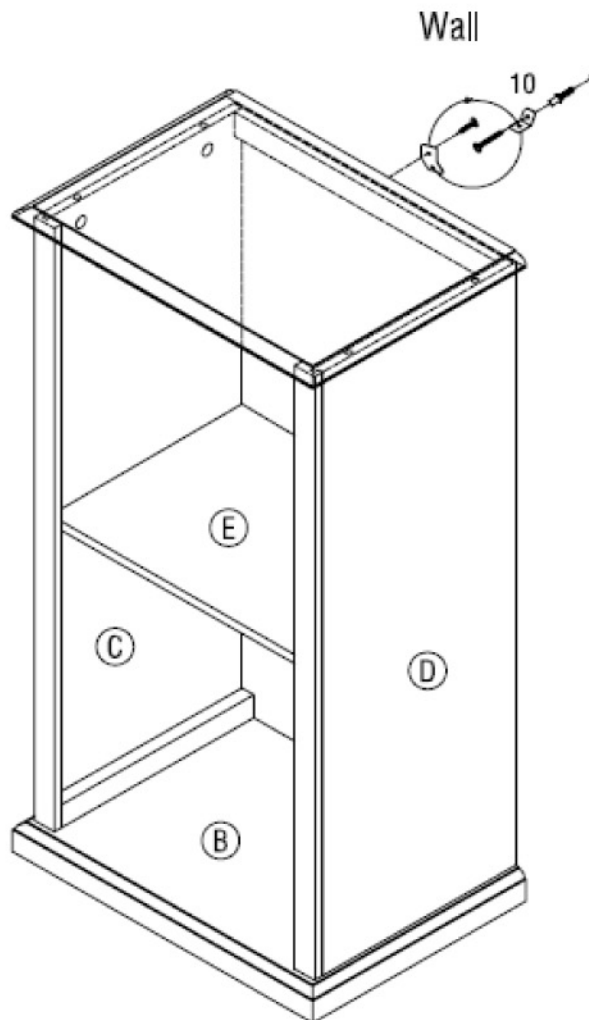
If stacking storage units together, please use anti-tipping kit and mending plate. We do not recommend stacking more than two units high.



### Step 5:

#### Assembly Instruction for Anti-Tipping Kit

1. Attach one of the mounting brackets near the top back edge of the furniture piece and insert the shorter screw.
2. Mark location on the wall approximately 2" below the bracket mounted to the back of the furniture.
3. Drill a starter hole into a wall stud and insert plastic anchor, and gently tap the anchor until the flange of the anchor is flush with the wall.
4. Attach the second bracket by inserting the longer screw through the bracket and into the wall.
5. Place the furniture so the bracket on the back edge is in line with the bracket on the wall.
6. Lace the end of the nylon restraint strap down through each bracket. Bring both ends together and slide the beaded end until it snap locks into the keyhole slot.
7. Make sure the strap is securely laced and locked to the brackets.



**Thank you for your Purchase.**