


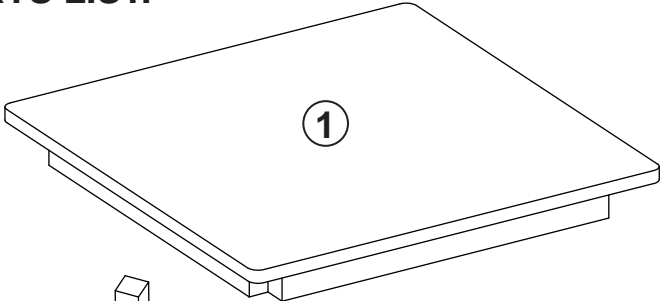
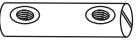
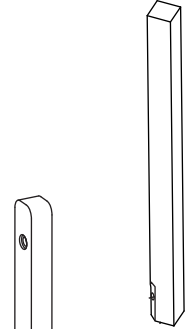

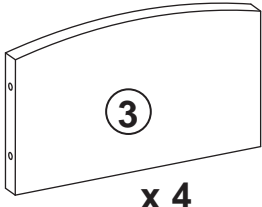

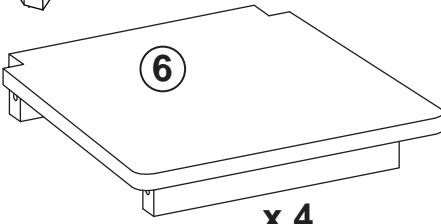

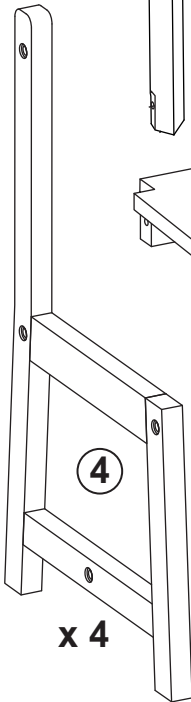

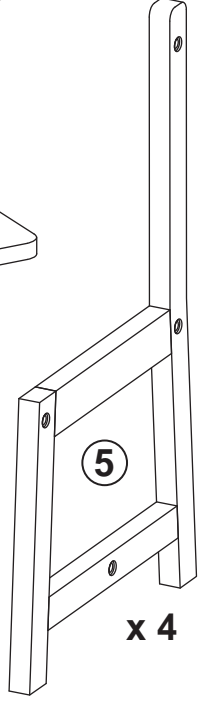

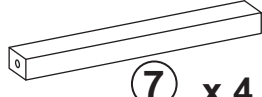

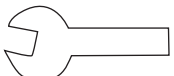

Farmhouse Table & Chair Set

Assembly Instructions

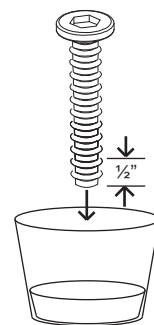
Item # 21421B Natural, 21431A Cherry,
21451A Pecan, 21453A Espresso

Please retain this information for future reference

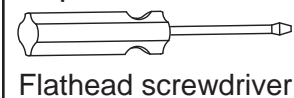
To order replacement parts, please visit www.kidkraft.com

HARDWARE:	PARTS LIST:
A. Threaded Rod x 8 	
B. Bolt Anchor x 4 	
C. Flat Washer x 8 	
D. Lock Nut x 8 	
E. Hex Screw x 24 (2 1/8 inches, 53 mm) 	
F. Cross Dowel Bolt x 8 (1 5/8 inches, 41 mm) 	
G. Cross Dowel Nut x 8 	
H. Wooden Dowel x 8 	
Wrench x 1 pc 	
Allen Wrench x 1 	

Helpful Hint: We recommend you dip the bottom 1/2" of the screws into dishwashing liquid immediately before you screw them into the product.

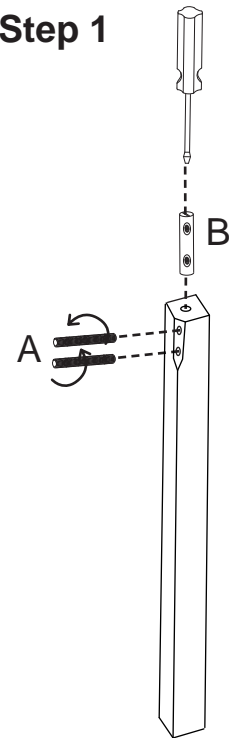


The following tool (not included) is required for assembly :

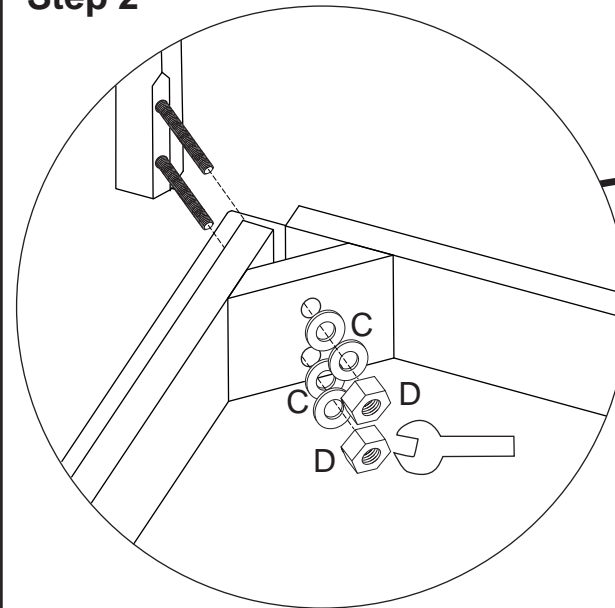


Flathead screwdriver

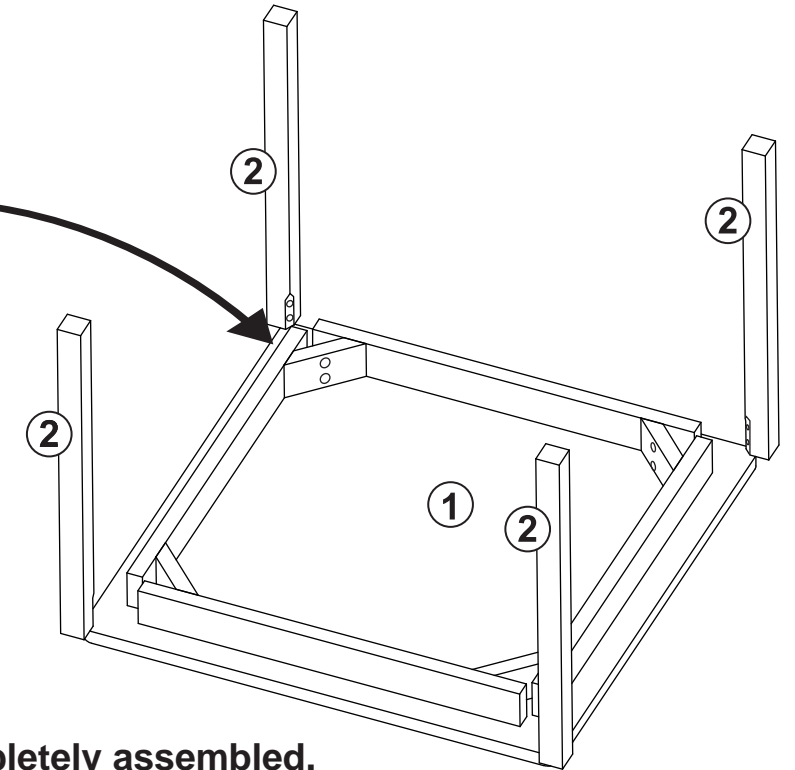
Table Assembly Step 1



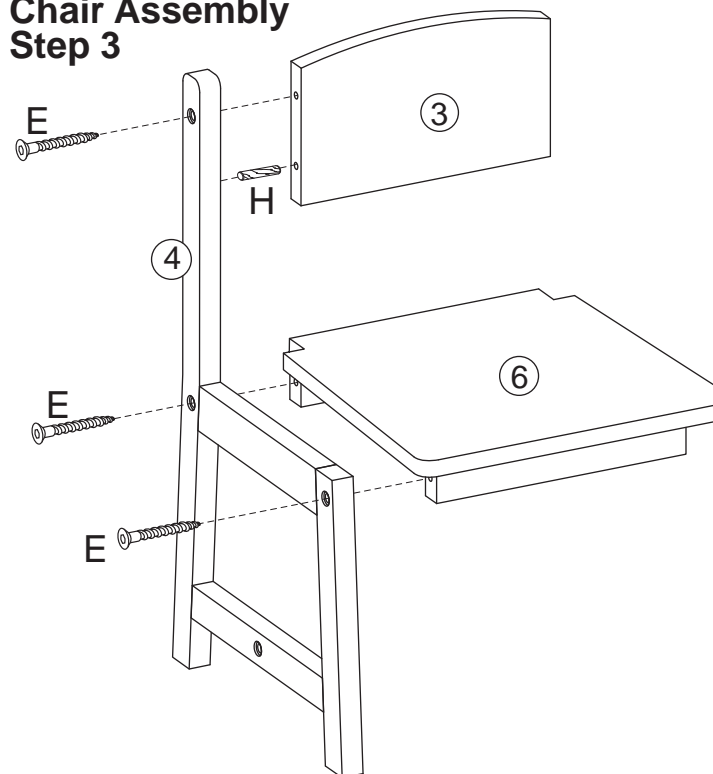
Step 2



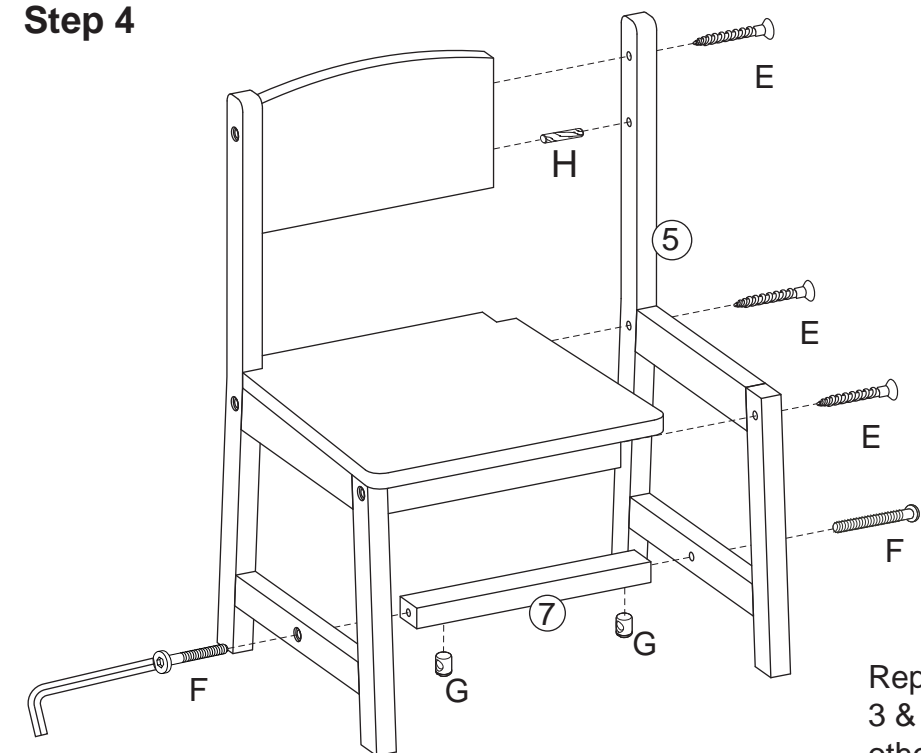
Do not tighten screws or bolts until completely assembled.



Chair Assembly Step 3



Step 4



Repeat steps 3 & 4 for other 3 chairs.

CAUTION:
ADULT ASSEMBLY REQUIRED. Hardware contains small screws with sharp points. Keep unassembled parts out of the reach of small children.

USE AND MAINTENANCE:
-Use on level surfaces only
-Please check assembly at regular intervals, and frequently tighten hardware if necessary. If maintenance is not carried out, the product could cease to function properly.

WARNING:
CHOKING HAZARD. Small parts and sharp points, not suitable for children under 3 years.

Before calling customer service, please locate the batch code number (example: 2693/65006/04) found on the bottom or back of your product.

Customer Service
1-800-933-0771
www.kidkraft.com