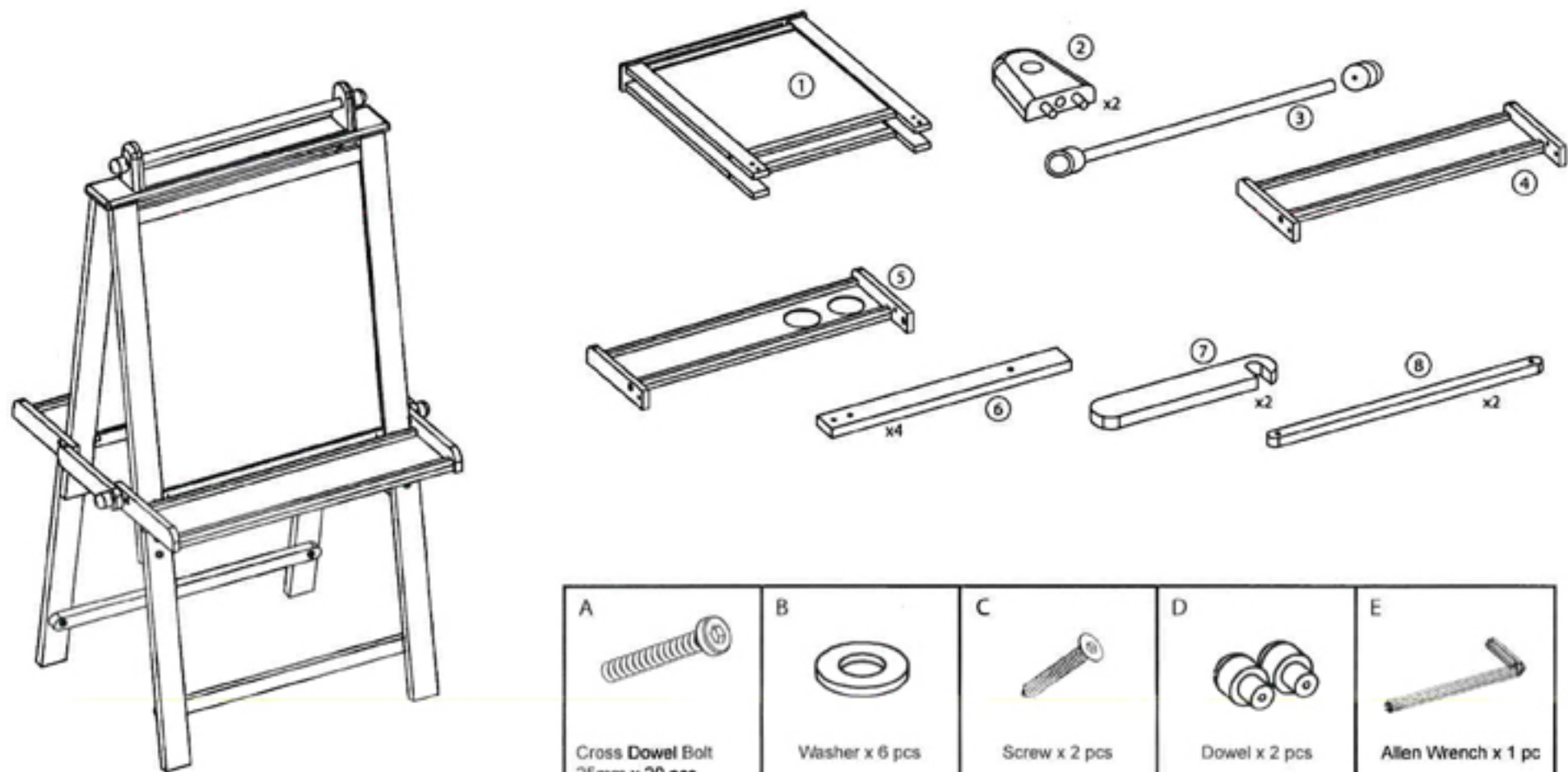


Easel

ASSEMBLY INSTRUCTIONS

Please retain this information for future reference.

Item# G9018



CAUTION: Adult assembly required.
Hardware contains small screws with sharp points. Keep unassembled parts out of the reach of small children. Parts of product can present dangers if it is not correctly assembled.

USE and MAINTENANCE:

- Use on level surfaces only.
- Please check assembly at regular intervals, and periodically tighten hardware if necessary. If maintenance is not carried out the product could overturn or fall.

WARNING: CHOKING HAZARD
Unassembled parts may be a choking hazard to children 3 years and younger.

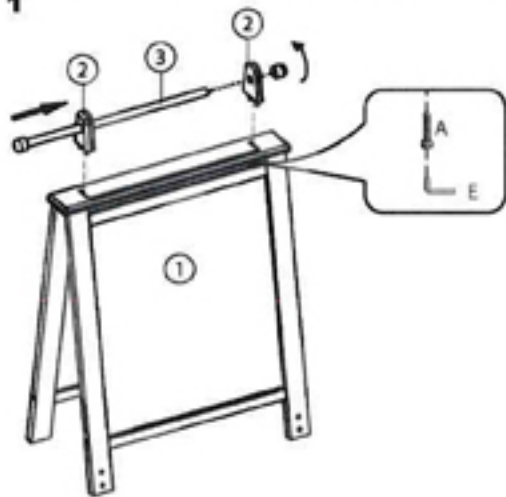
Easel

ASSEMBLY INSTRUCTIONS

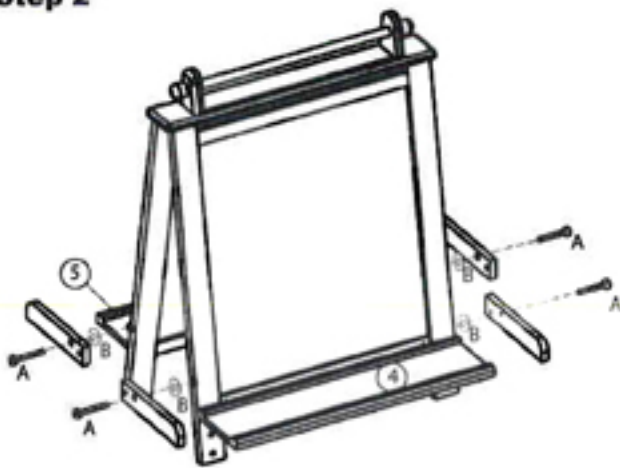
Please retain this information for future reference.

Item# G9018

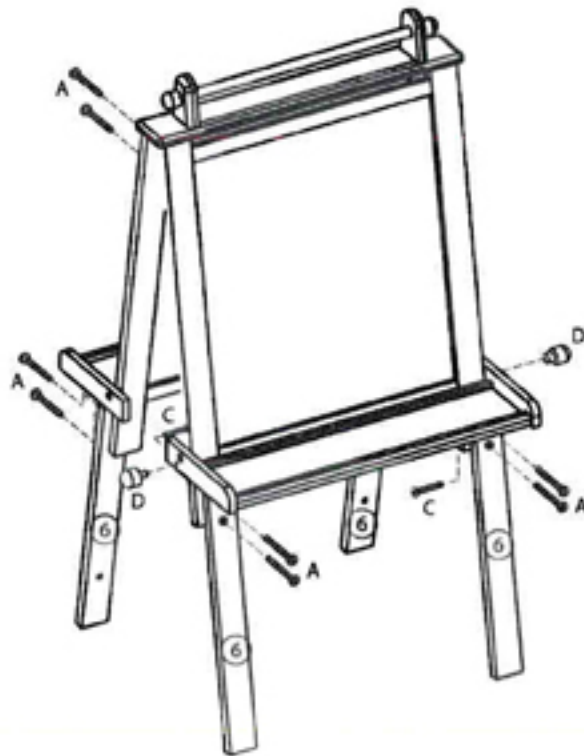
Step 1



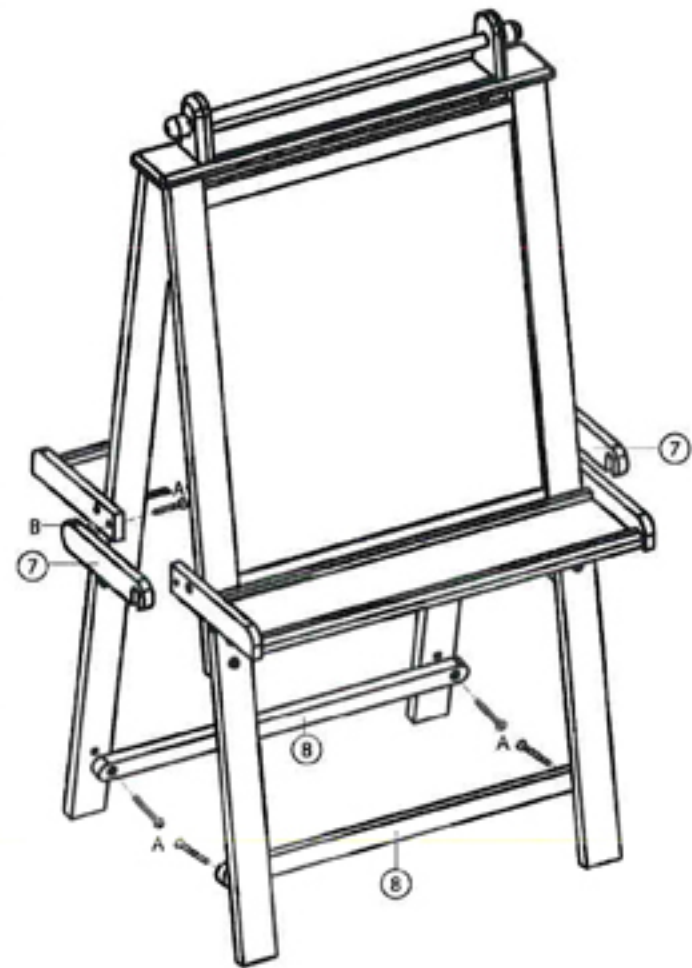
Step 2



Step 3



Step 4



CAUTION: Adult assembly required. Hardware contains small screws with sharp points. Keep unassembled parts out of the reach of small children. Parts of product can present dangers if it is not correctly assembled.

USE and MAINTENANCE:

- Use on level surfaces only.
- Please check assembly at regular intervals, and periodically tighten hardware if necessary. If maintenance is not carried out the product could overturn or fall.



WARNING; CHOKING HAZARD
Unassembled parts may be a choking hazard to children 3 years and younger.