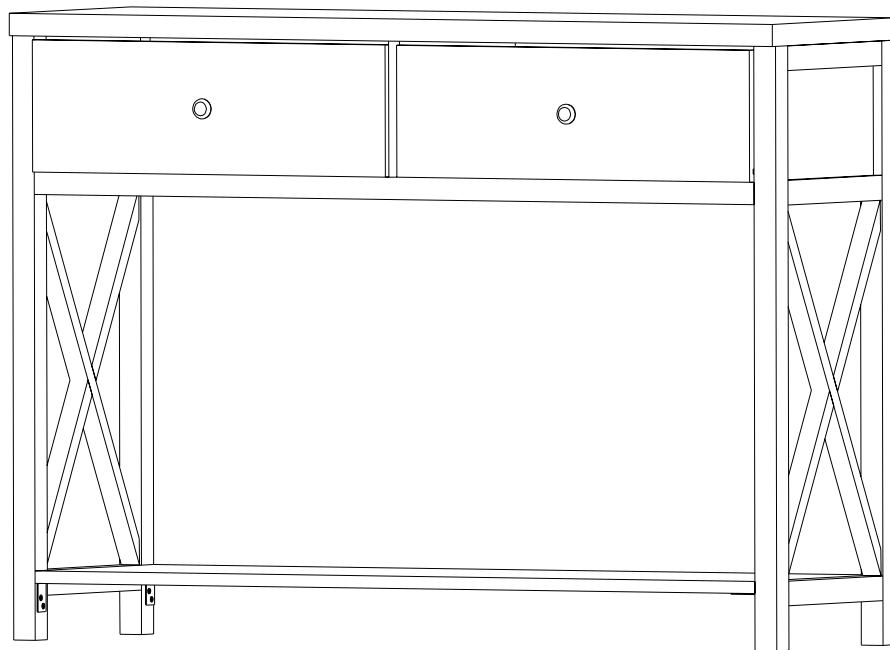


# ASSEMBLY INSTRUCTIONS

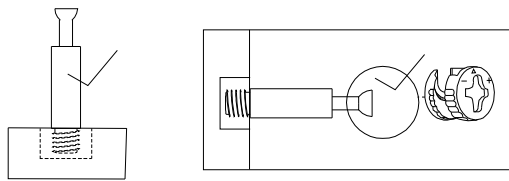
## Style # C1246 Console



### NOTE TO CUSTOMERS:

- For ease and speed of assembly we recommend that before you commence each step of the assembly that you identify all the parts required to complete that step.
- We recommend that where possible you allow sufficient space to assemble the item as close as possible to the place where it will be once assembled.
- For the protection of your furniture we recommend that the product is placed on protected surfaces during assembly to prevent any damage.
- During assembly do not over tighten, as this may damage the product.
- Please ensure you retain all the product packaging until the item completely assembled.
- Please periodically check all fittings and re-tighten as necessary.
- Never allow any liquids to remain on your furniture as absorption can cause the wood to warp or the finish to de-laminate.
- It is recommended that this item should be assembled by two adults.

**To use a cam lock: (Please read below instructions before assembling)**



1. Insert cam screw into hole as shown in diagram A .

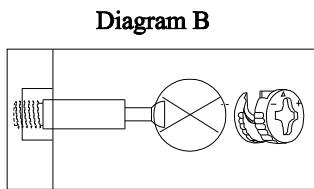


Diagram B

Make sure not to insert the cam screw:  
Too deep as shown in figure B as this will cause the cam screw to be misaligned and unable to interlock properly.

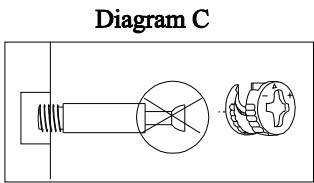
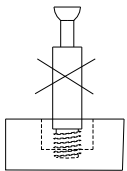
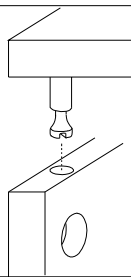
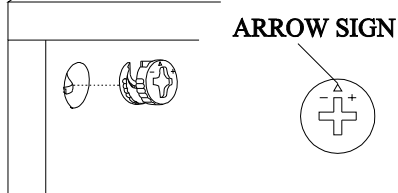


Diagram C

Also avoid inserting the cam screw too close to the surface of the hole as shown in figure C, as this will cause the cam lock to be too loose, and not interlock properly.

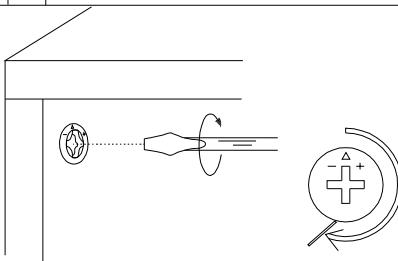


2. Connect the panels together.



ARROW SIGN

3. When inserting the cam lock make sure the arrow of the cam lock faces the cam screw.



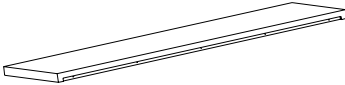
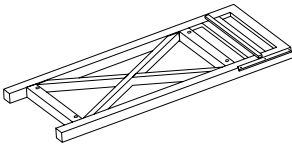
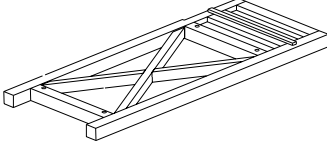

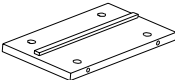
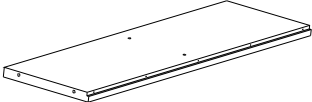

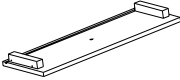



4. To tighten the cam lock turn the cam lock clockwise 90-180 degree or until the arrow is facing opposite the place cam lock was inserted.

**NOTE: DO NOT USE AN AUTOMATIC SCREWDRIVER TO TIGHTEN CAM LOCKS.**

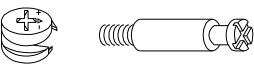






**Note:**

- Read these instructions carefully before assembling.
- Tools required : Phillips screwdriver, flat screwdriver.
- Find a clean, smooth area on which to work , such as a carpet, in order to avoid scratching the wood surfaces.
- Wait to dispose of the packing material until assembly is complete and all parts and hardware are accounted for.
- Two or more people might be required for assembly.


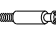
## Part list :


 <b>A1. Top Panel</b> Qty: 1	 <b>A2. Side Frame</b> Qty: 1
 <b>A3. Side Frame</b> Qty: 1	 <b>A4. Back Panel</b> Qty: 1
 <b>A5. Divider</b> Qty: 1	 <b>A6. Middle Shelf</b> Qty: 1
 <b>A7. Bottom Panel</b> Qty: 1	 <b>A8. Drawer Front Panel</b> Qty: 2
 <b>A9. Drawer Side Panel</b> Qty: 4	 <b>A10. Drawer Bottom Panel</b> Qty: 2
 <b>A11. Drawer Back Panel</b> Qty: 2	

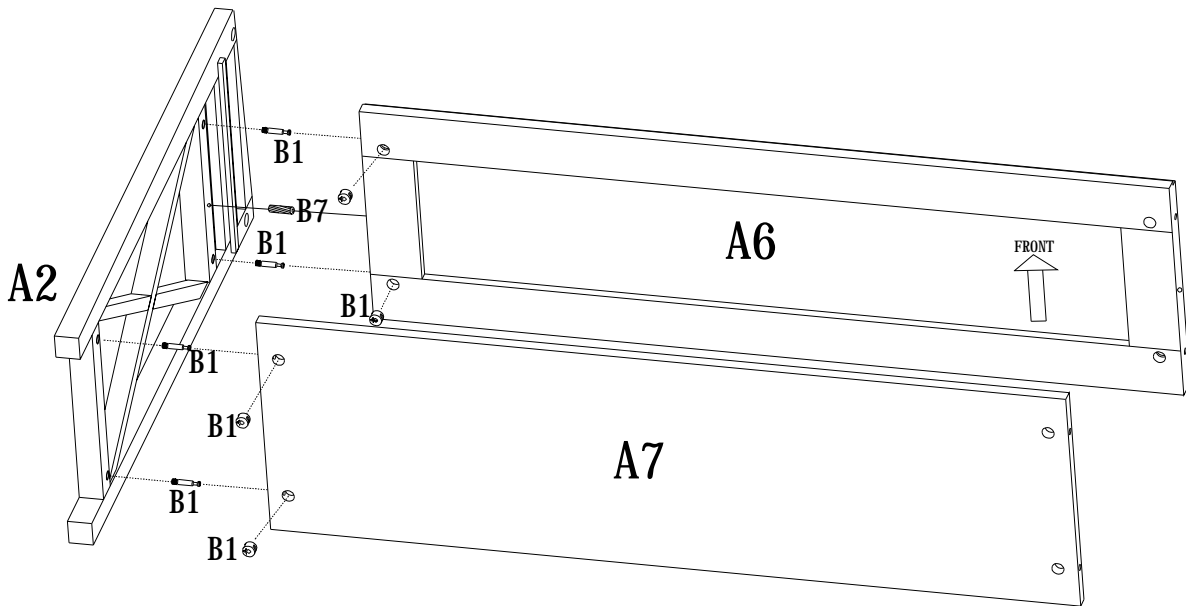
## Hardware list :

 <b>B1. Camlock</b> Qty: 16	 <b>B2. Screw</b> Qty: 14	 <b>B3. Stopper with screw</b> Qty: 2	 <b>B4. Metal bracket with screws</b> Qty: 4
 <b>B5. Screw</b> Qty: 16	 <b>B6. Knob with bolt</b> Qty: 2	 <b>B7. Wood Dowel</b> Qty: 8	



Step 1: Assemble the middle shelf A6 & bottom shelf A7 to the side frame A2 using camlocks B1 and Wood Dowel B7.


B1:   4SETS

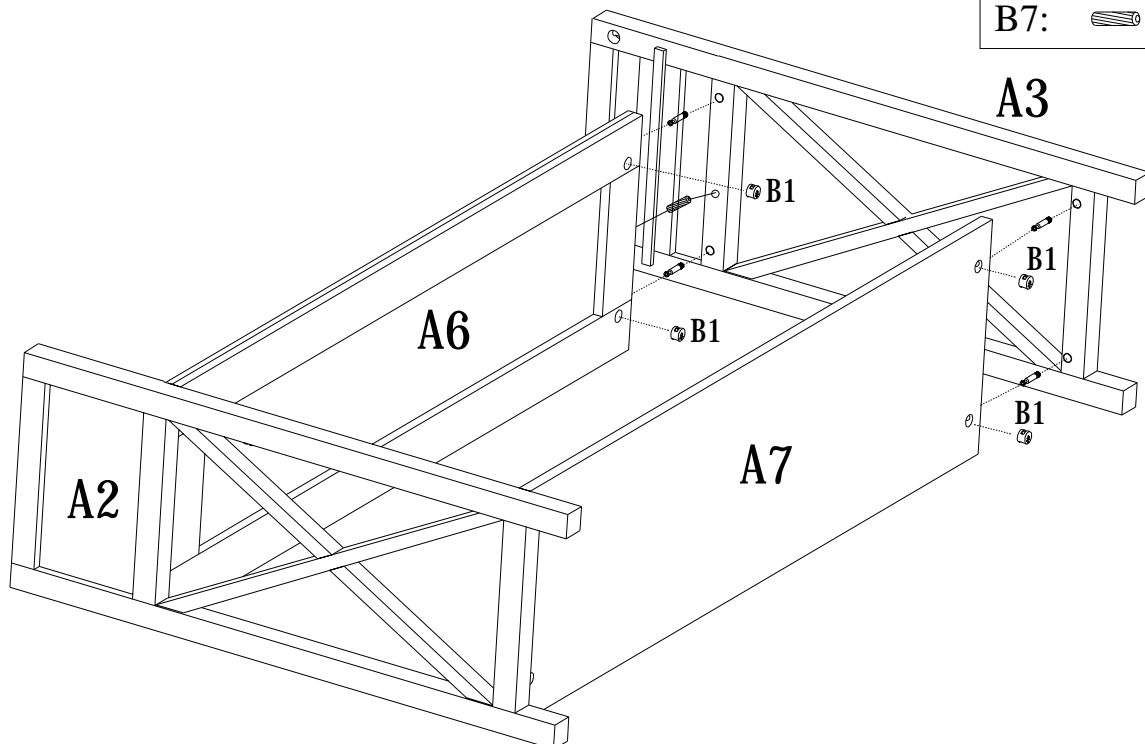
B7:  1PC






Step 2: Assemble the middle shelf A6 & bottom shelf A7 to the other side frame A3 using camlocks B1 and Wood Dowel B7.

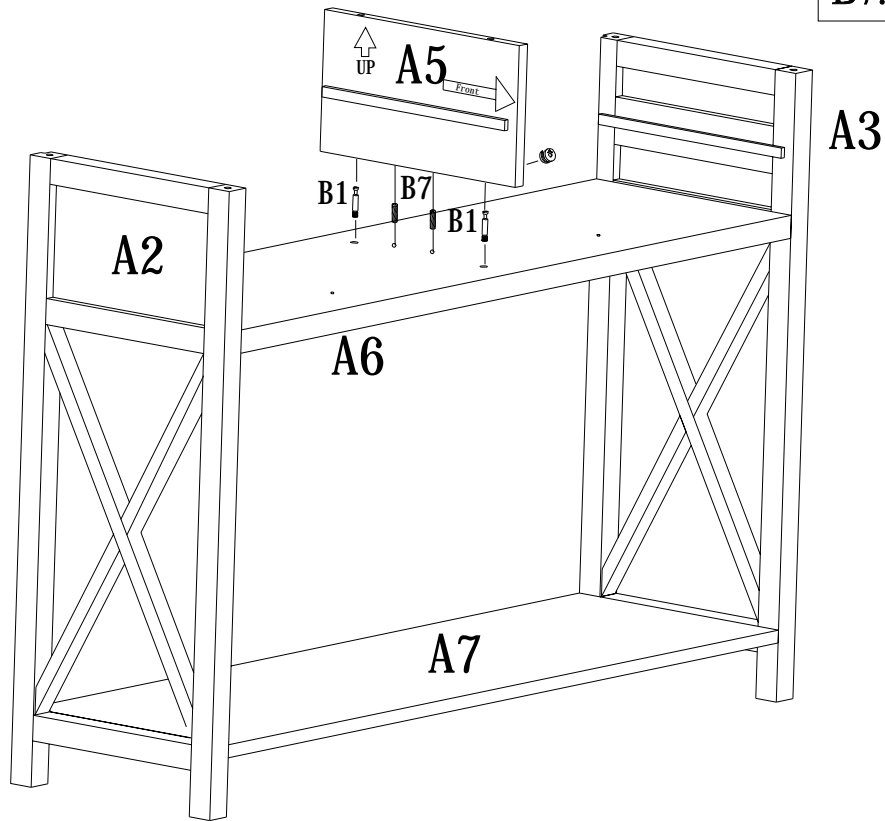
B1:   4SETS

B7:  1PC




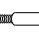


Step 3: Assemble divider A5 to the middle shelf A6 using camlocks B1 and Wood Dowel B7

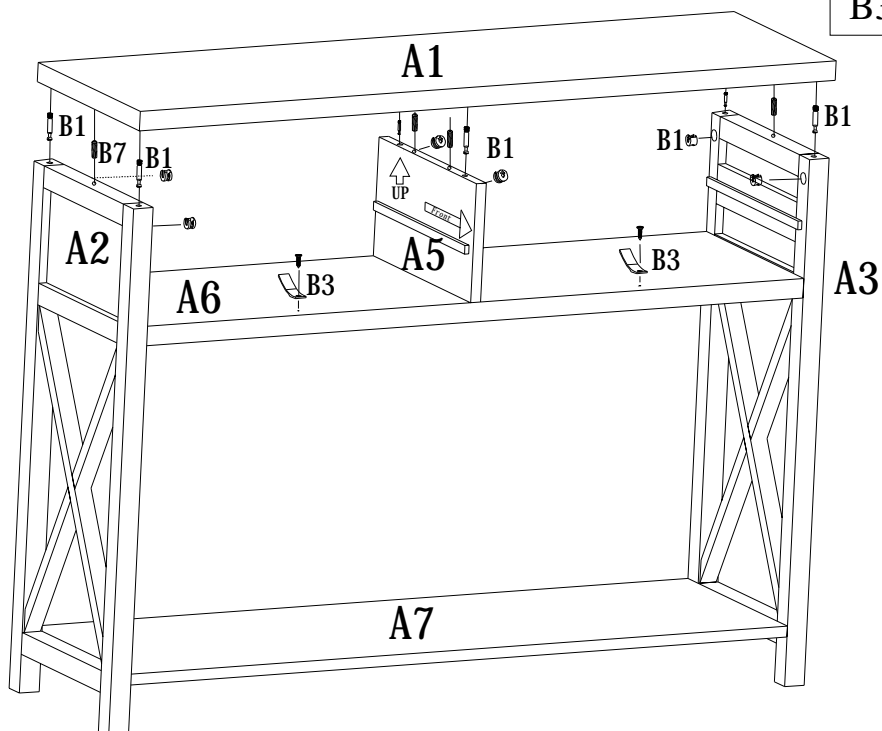
B1:   2SETS  
 B7:  2PCS



Step 4: Attach stoppers B3 to middle shelf A6 using included screws.

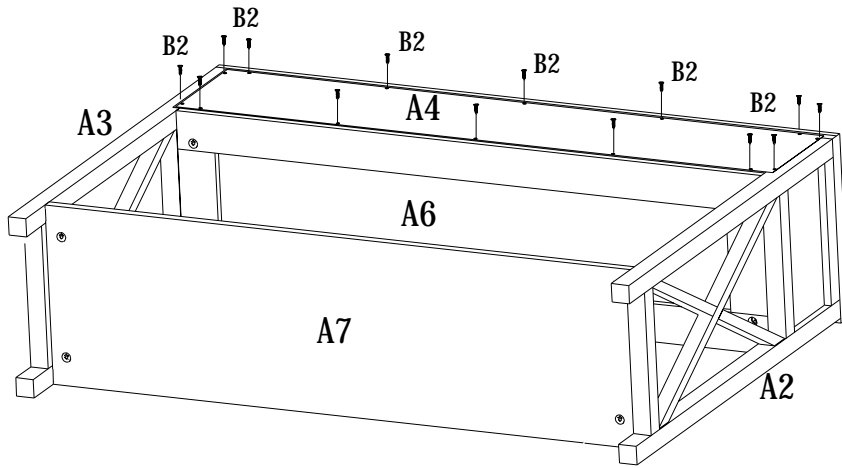
Step 5: Assemble top panel A1 to the side frames A2 ,A3 and divider A5 using camlocks B1 and wood dowels B7.

B1:   6SETS  
 B7:  4PCS  
 B3:  2SETS



Step 6: Attach the back panel A4 to side frames A2,A3 and top panel A1, divider A5 using screws B2.

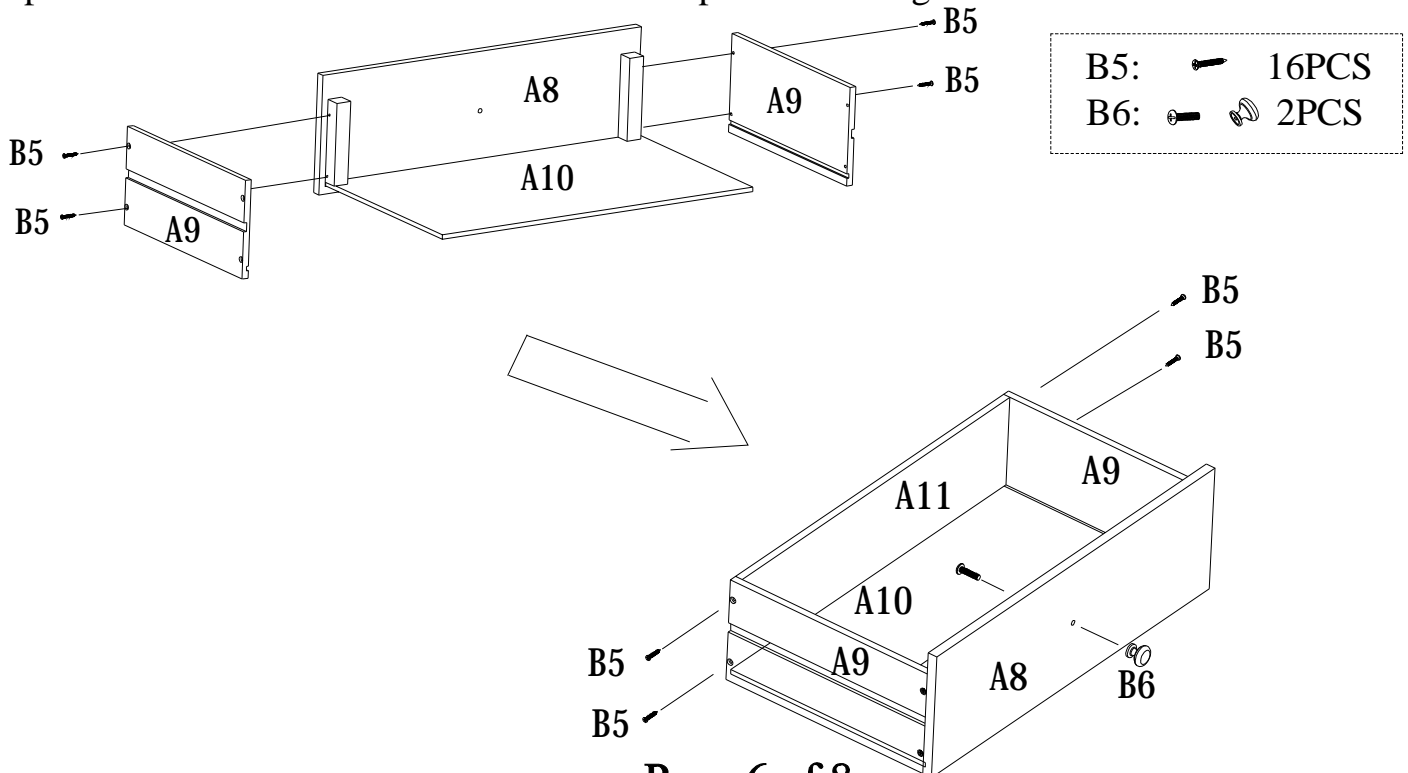
B2:  14PCS



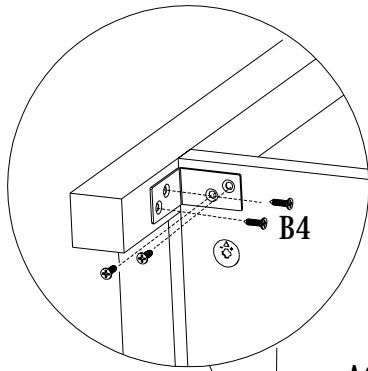
Step 7: Assemble drawer side panels A9 to the drawer front panel A8 using screws B5, then insert drawer bottom panel A10 into grooves on drawer side panels and drawer front panel.

Step 8: Attach the drawer back panel A11 to the drawer side panels A9 using screws B5.

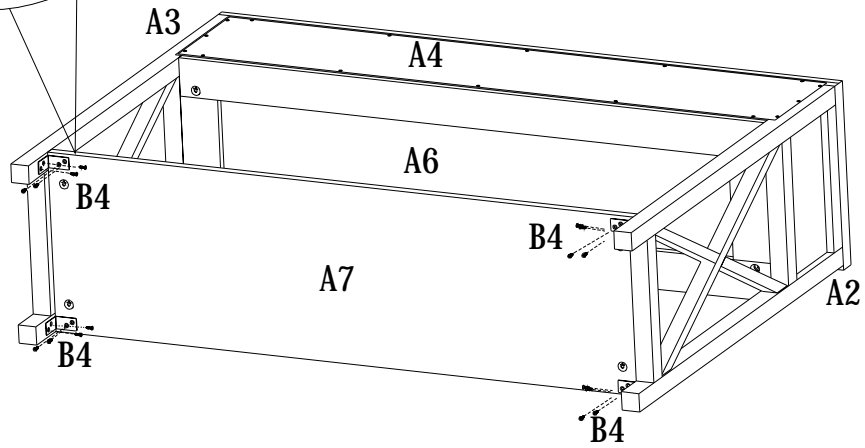
Step 9: Attach the knob B6 to the drawer front panel A8 using included bolts .



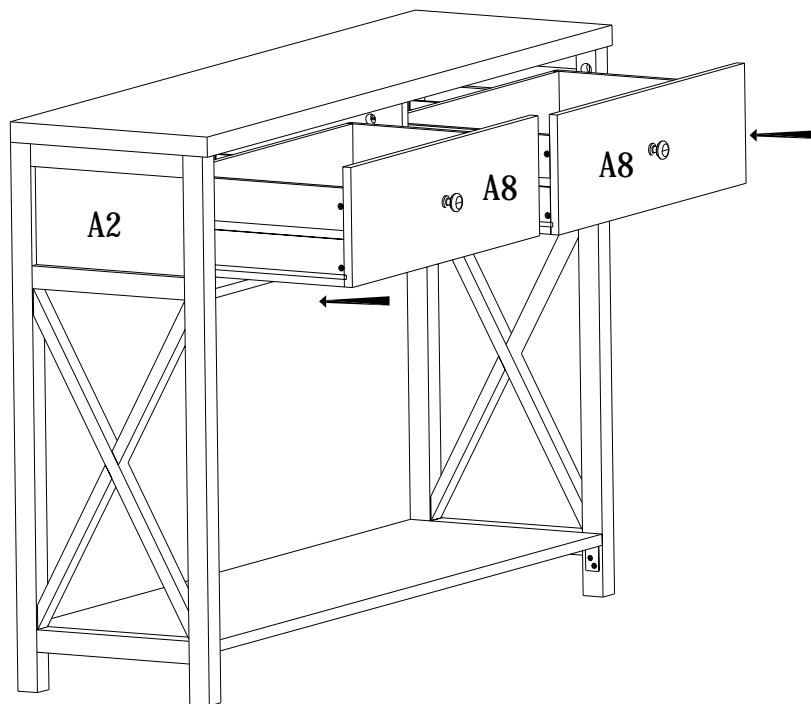
Step 10: Attach the metal brackets B4 to connect bottom shelf A7 and side frames A2, A3 using included screws.



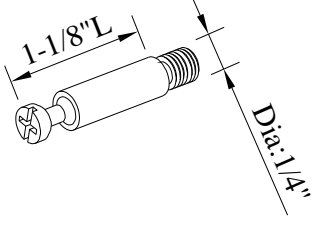
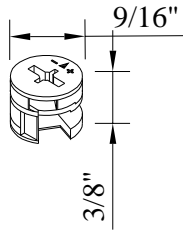
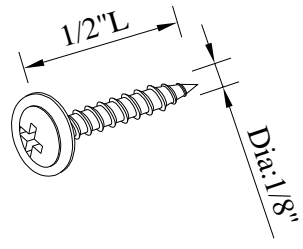
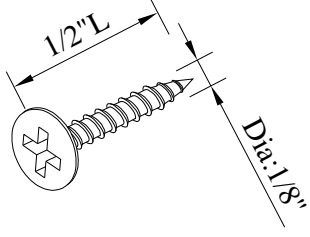
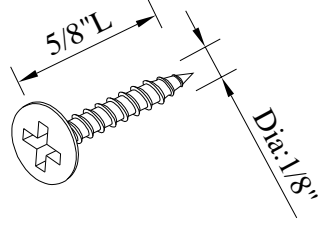
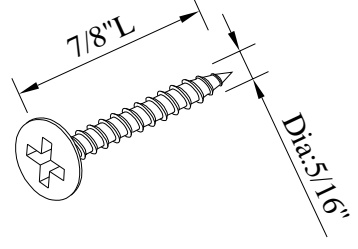
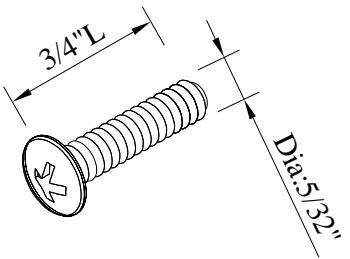
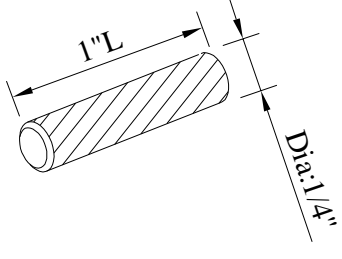
B4:    4SETS



Step 11: Insert the two drawers as the following drawing shown.



# APPENDIX: Dimension of Hardwares in this AI.

<p>B1.</p>  <p>Wood Dowel</p>	 <p>Cam-bol t</p>	<p>B2.</p>  <p>Screw</p>
<p>B3.</p>  <p>Screw for stopper</p>	<p>B4.</p>  <p>Screw for metal plate</p>	<p>B5.</p>  <p>Screw</p>
<p>B6.</p>  <p>Bol t for handl e</p>	<p>B7.</p>  <p>Wood Dowel</p>	