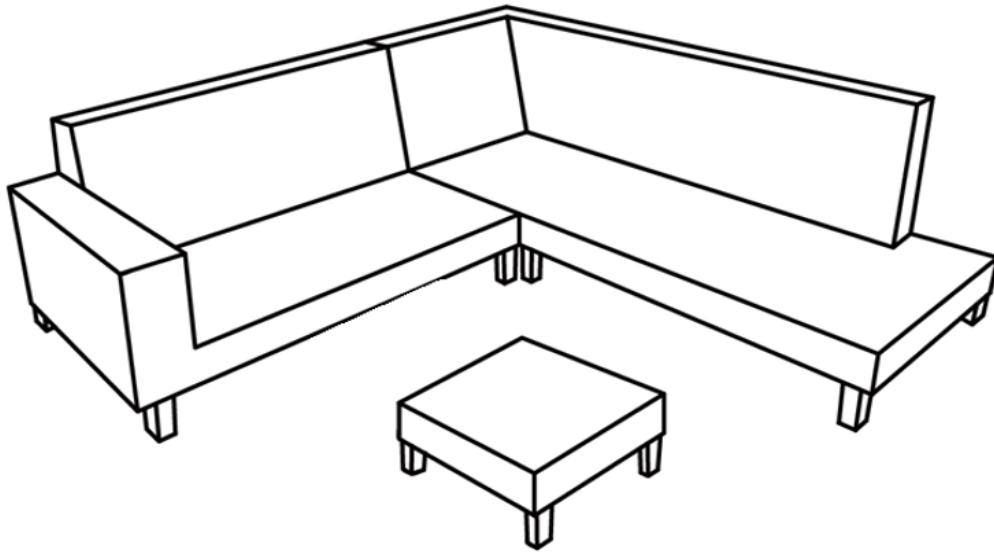


# hayneedle



**ITEM NAME: Belham Living Meiland Upholstered Outdoor Conversation Set**  
**SKU: HONG081-1**



**For assistance with assembly, please contact customer service  
1-888-880-4884**

1/5

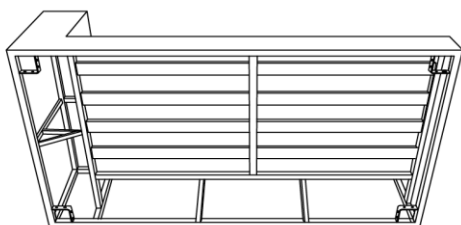
## PRE-ASSEMBLY PREPARATION:



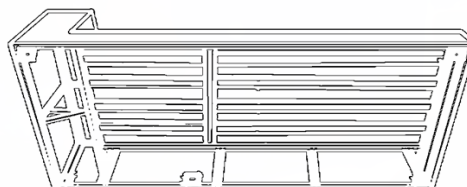
DO NOT LET CHILDREN PLAY IN OR AROUND THE UNIT DUE TO THE POSSIBLE RISK OF FINGER ENTRAPMENT.

- Please read through the instructions before beginning assembly.
- Two adults are recommended for assembly.
- Clear out the space for assembly and lay out all of the parts based on the Parts List, extra room will allow you to easily determine if all the pieces are present.
- Save all packing materials until assembly is complete to avoid accidentally discarding smaller parts or hardware.
- Keep small parts and pieces away from children until fully assembled.
- Ensure that all bolts are securely tightened before use. It is recommended that you re-check all nuts and bolts occasionally and re-tighten as necessary.
- Do not swing in the chair beyond the parameter of the base as doing so may result in the chair tipping over and could result in injury.
- Use on even surfaces only.
- Improper use of this product or failure to use as directed may result in injury.

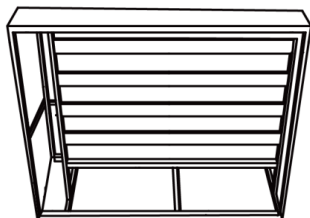
## PANEL AND FITTINGS IDENTIFICATION:



(A) Seat For Two-Seater Qty: 1



(B) Seat For Three-Seater Qty: 1



(C) Table Top Qty: 1



(D) Leg Qty: 13

## HARDWARE LIST:



(E) Allen Wrench Qty: 1



(F) Bolt Qty:52



(G) Washer Qty:52

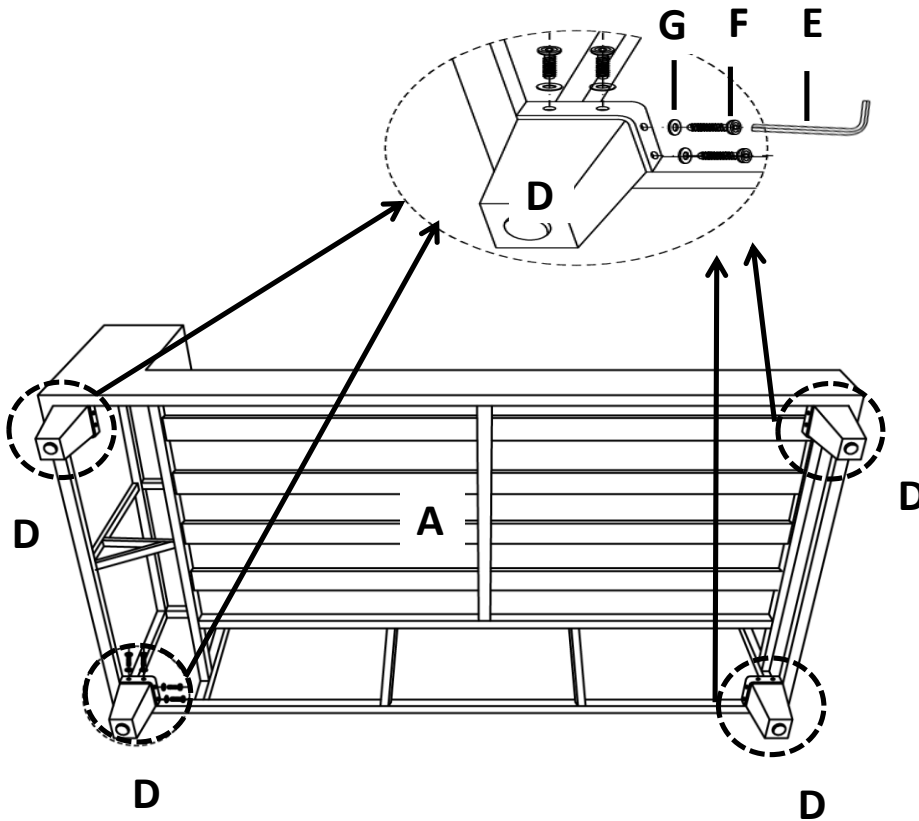


(H) Connector Qty:2

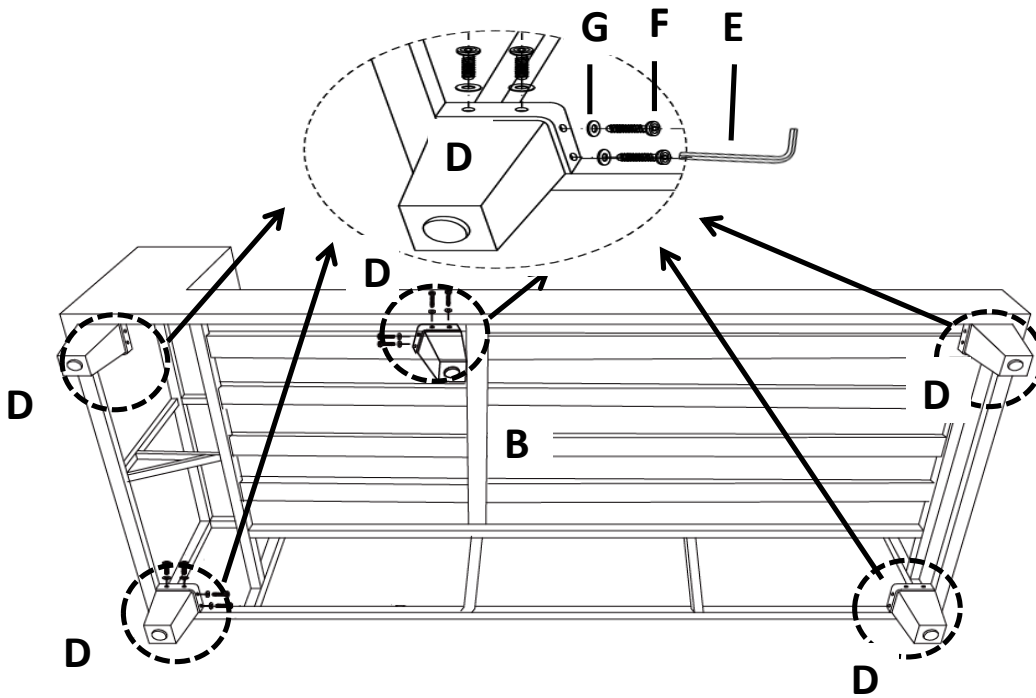
## STEP-BY-STEP ASSEMBLY:

1

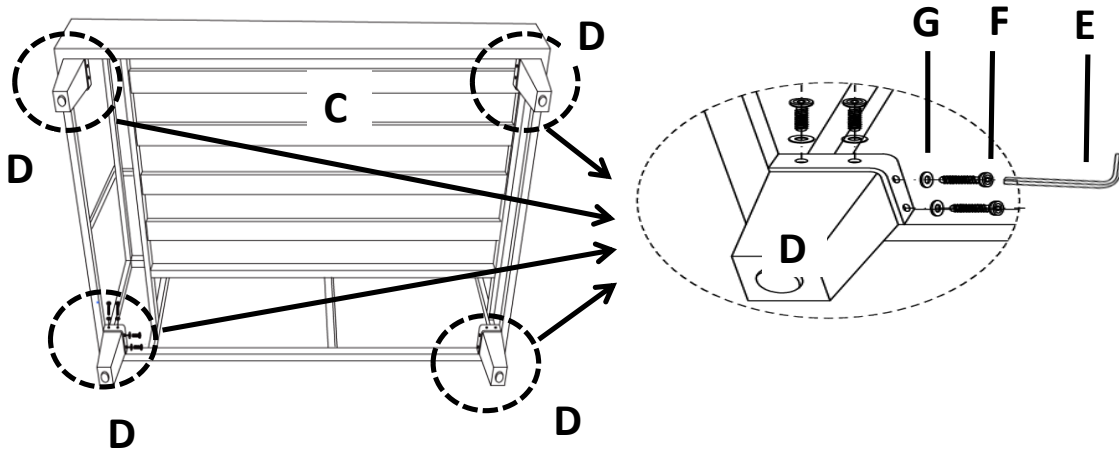
Step 1: Attach four Legs (D) to the Seat For Two-Seater using sixteen Bolts(F) and sixteen Washers (G), tighten with Allen Wrench (E).



**2** Step 2: Attach five Legs (D) to the Three-Seater (B) using twenty Bolts (F) and twenty Washers (G), tighten with Allen Wrench (E).



- 3** Step 3: Attach four Legs (D) to the Table Top (C) using sixteen Bolts (F) and sixteen Washers (G), tighten with Allen Wrench (E).



- 4** Step 4: Assemble the Two-Seater and the Three-Seater together, using two Connectors (H).

