

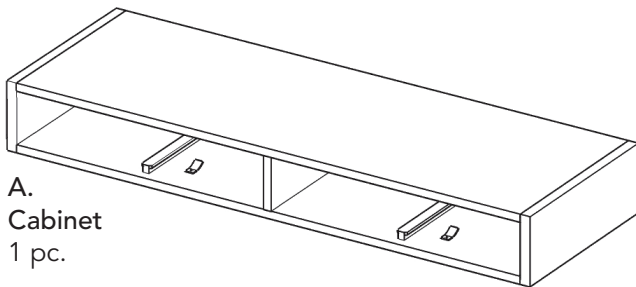
IMPORTANT

Carefully remove all the parts from the carton and place them individually on a soft cloth to prevent scratches or other damage.

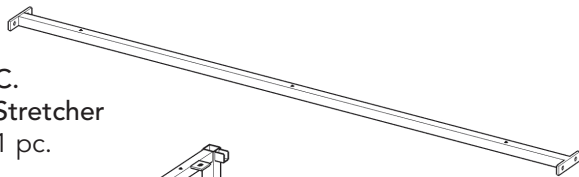
Carefully and strictly follow these assembly instructions to ensure a completed product as designed.

Do not use power tools above 8 volts to assemble.

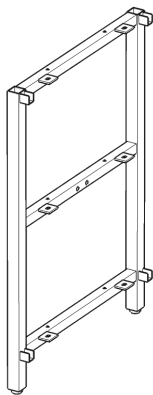
Part List



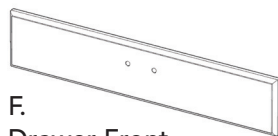
A.
Cabinet
1 pc.



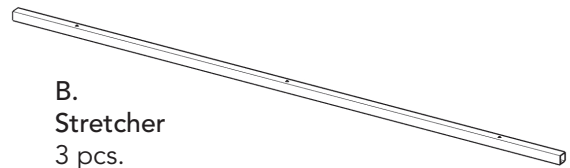
C.
Stretcher
1 pc.



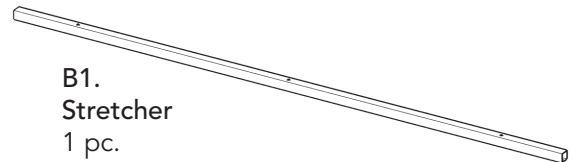
D.
Side Frame
2 pcs.



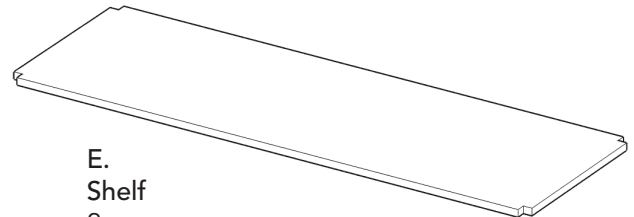
F.
Drawer Front
2 pcs.



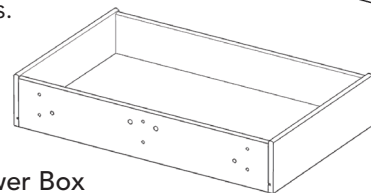
B.
Stretcher
3 pcs.



B1.
Stretcher
1 pc.



E.
Shelf
2 pcs.



G.
Drawer Box
2 pcs.

Hardware List



Hex Wrench
1 pc.



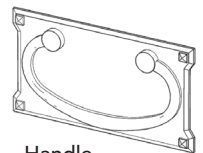
M6x19
Head Cap Bolt
24 pcs. (+1 extra)



Spring Washer
24 pcs. (+1 extra)



Flat Washer
24 pcs. (+1 extra)



Handle
2 pcs.



Small
Hex Wrench
1 pc.



M4x32
Wood Screw
27 pcs. (+1 extra)



M3x20
Wood Screw for drawer
12 pcs. (+1 extra)



Dowel
4 pcs. (+1 extra)



M4x28
Machine Screw
4 pcs. (+1 extra)

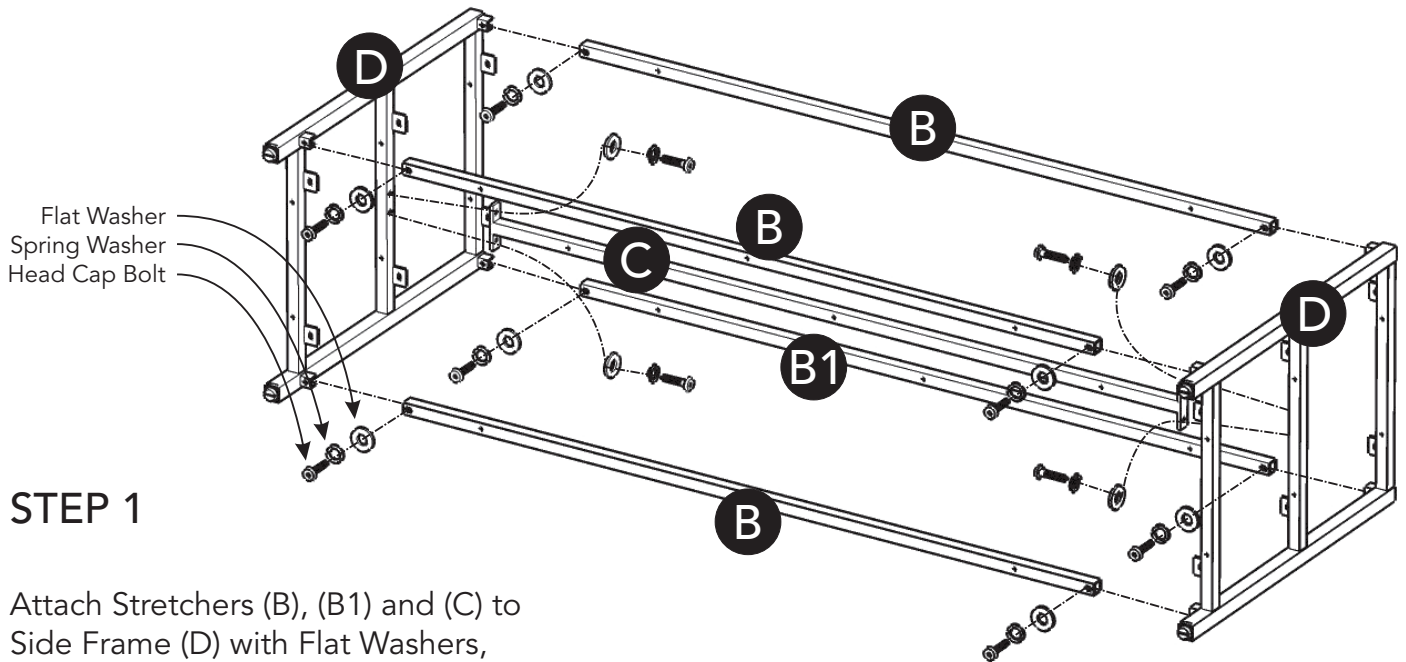
Tool(s) required for assembly: Phillips screwdriver, Level, Drill (8 volts or less), 3/8" Drill Bit

Home Styles Customer Service: www.homestyles-furniture.com,
servicedesk@homestyles-furniture.com, 888-680-7460, 877-831-0319

Assembly Instructions 2/5

IMPORTANT

- Use a soft cloth between these parts and the floor.
- Do not use power tools above 8 volts to assemble.
- Do not tighten all the bolts until each part is properly assembled.
- The unit must be level to work properly. Use the included adjustable levelers to level.
- Keep Hex Wrench as the bolts may need to be tightened in the future.



STEP 1

Attach Stretchers (B), (B1) and (C) to Side Frame (D) with Flat Washers, Spring Washers and Head Cap Bolts, tightening bolts only halfway. (See Figure 1)

Attach Side Frame (D) to unit with Flat Washers, Spring Washers and Head Cap Bolts, tightening bolts only halfway.

Tighten all Head Cap Bolts.

Figure 1

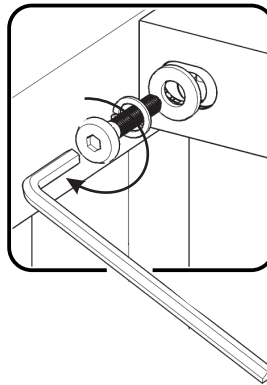
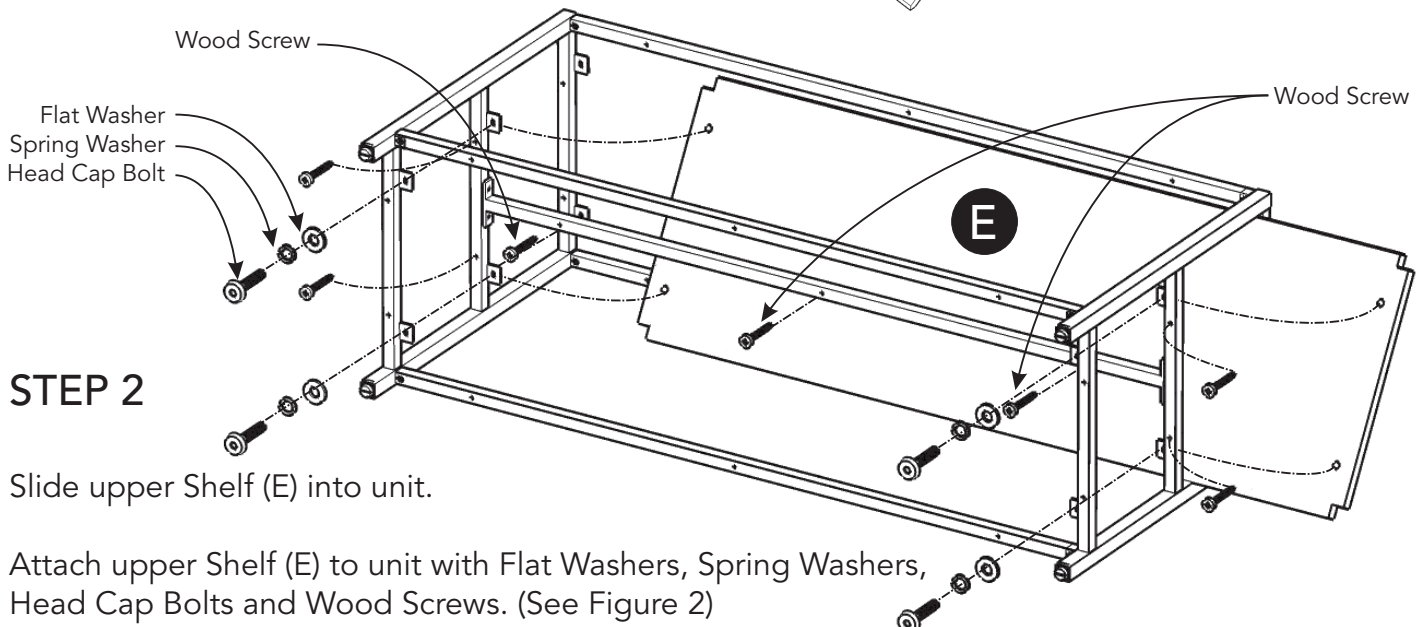
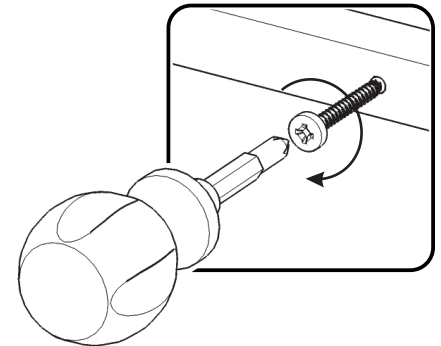


Figure 2



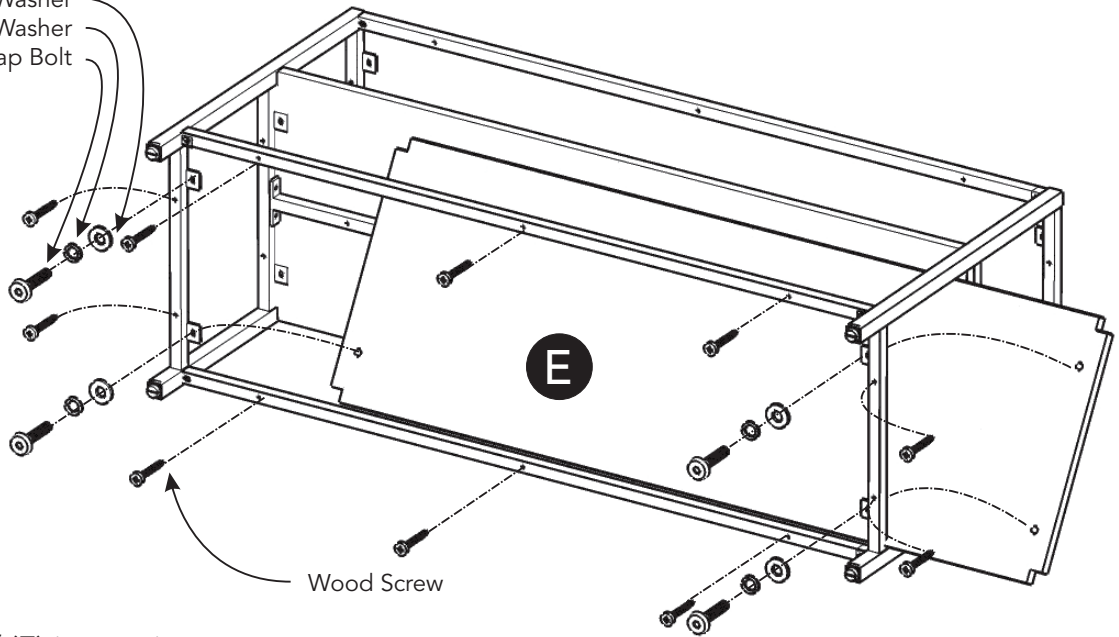
STEP 2

Slide upper Shelf (E) into unit.

Attach upper Shelf (E) to unit with Flat Washers, Spring Washers, Head Cap Bolts and Wood Screws. (See Figure 2)

Assembly Instructions 3/5

Flat Washer
Spring Washer
Head Cap Bolt



STEP 3

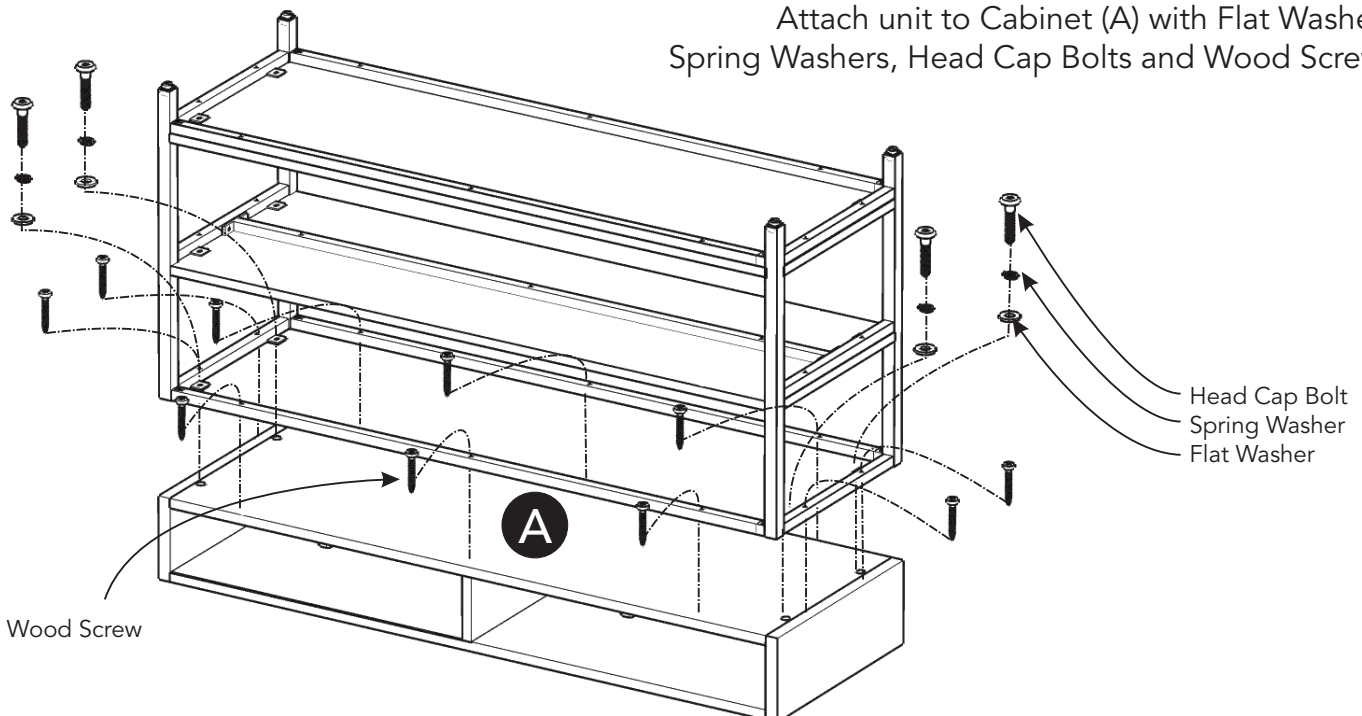
Slide lower Shelf (E) into unit.

Attach lower Shelf (E) with Flat Washers, Spring Washers, Head Cap Bolts and Wood Screws.

STEP 4

Place Cabinet (A) upside down on a soft cloth.

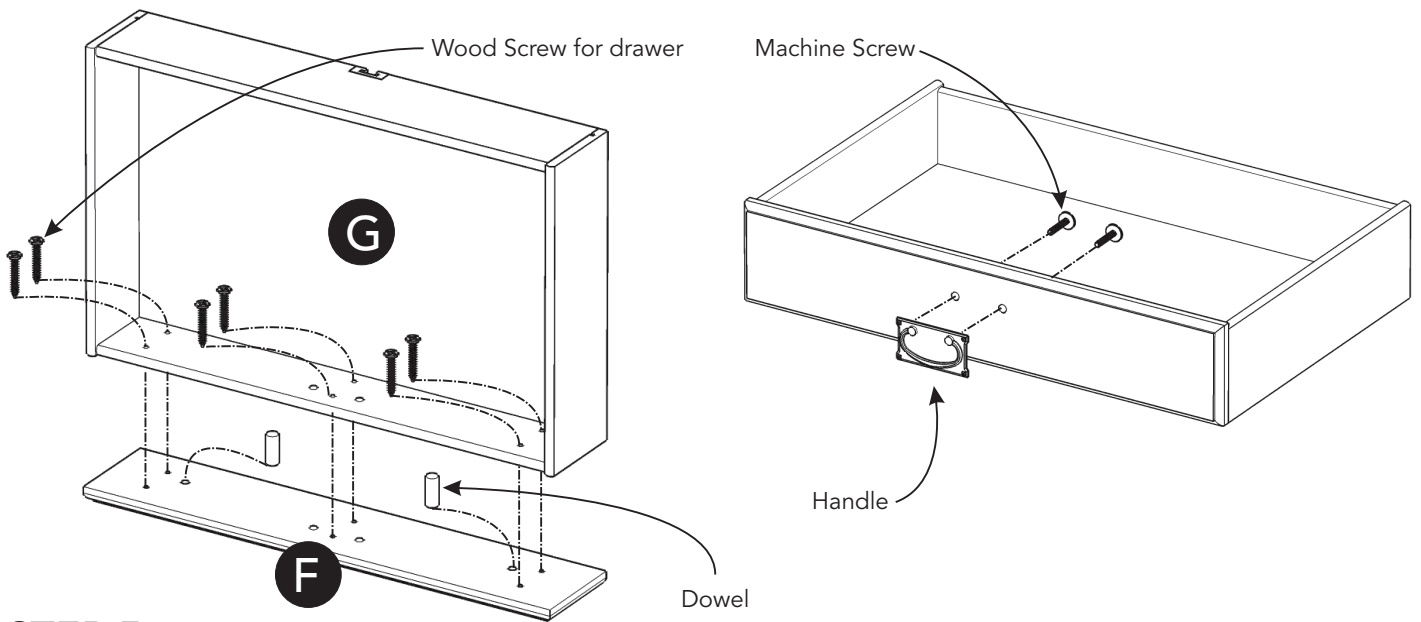
Attach unit to Cabinet (A) with Flat Washers, Spring Washers, Head Cap Bolts and Wood Screws.



Wood Screw

Head Cap Bolt
Spring Washer
Flat Washer

Assembly Instructions 4/5



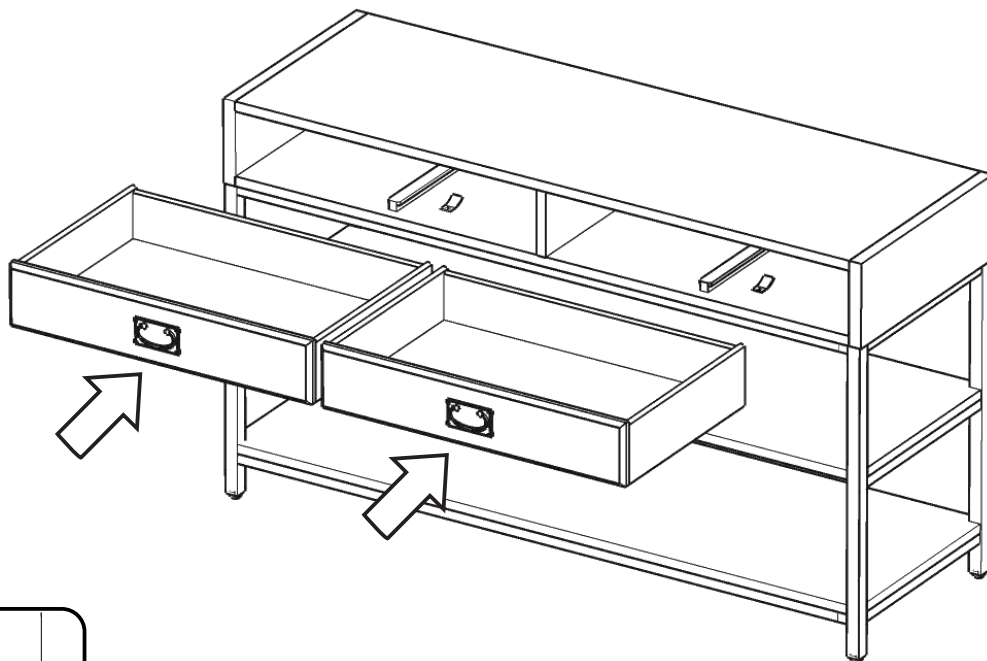
STEP 5

Place Drawer Fronts (F) face down on a soft cloth.

Insert Dowels into Drawer Fronts (F).

Attach Drawer Fronts (F) to Drawer Boxes (G) with Wood Screws for drawer.

Attach Handles to drawers with Machine Screws.



STEP 6

Turn unit to its' upright position.

Slide drawers into position.

Level unit by adjusting the adjustable levelers on bottom of unit.

(See Figure 3)

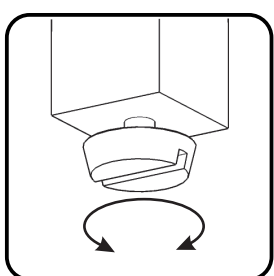


Figure 3

Assembly Instructions 5/5

IMPORTANT

To help reduce the risk of the unit tipping over, the Tip-over Restraint must be installed following these instructions exactly.

STEP 7

Place unit at desired location.

Drill a 3/8" hole in wall in-line with pre-drilled hole at top of unit.

Move unit.

Insert Anchor into the wall hole and attach Bracket with Wall Screw.

Attach Bracket at pre-drilled hole at top of unit with Machine Screw.

Move unit back into place.

Slide Tip-over Restraint through Bracket on wall and Bracket on unit.
(See Figure 4)

Put tie end of Tip-over Restraint into lock end of Tip-over Restraint and pull until tight.

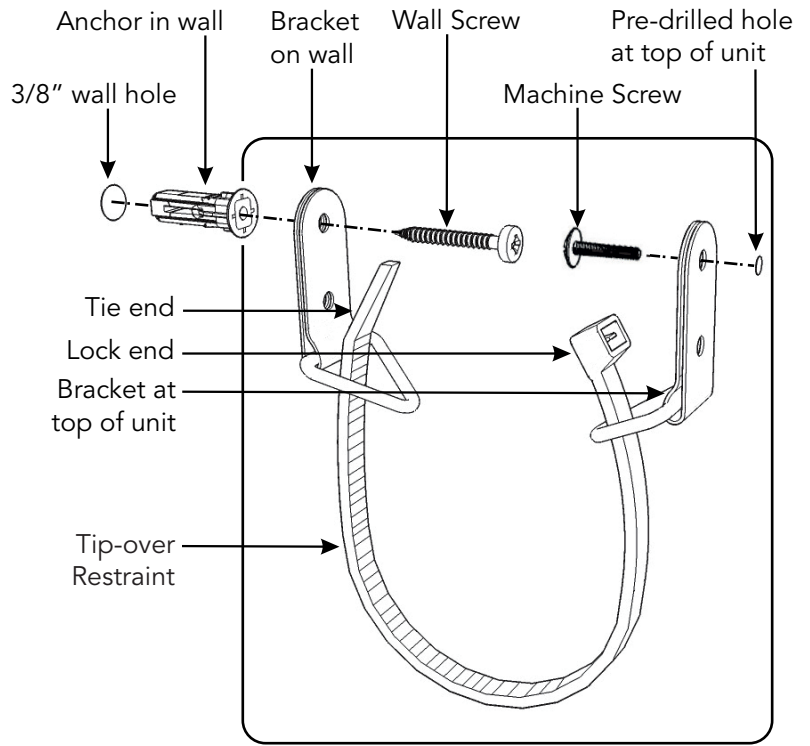
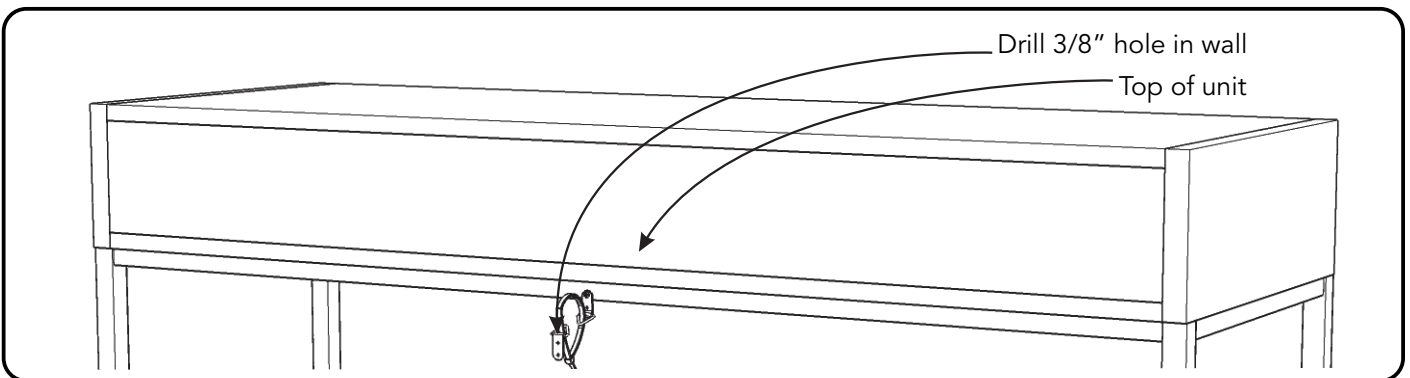
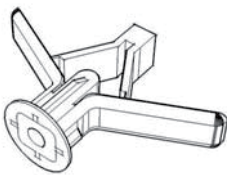


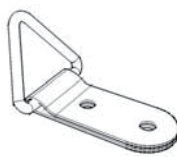
Figure 4



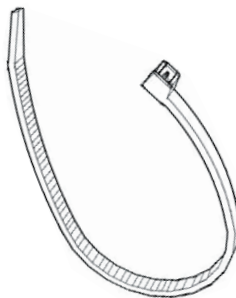
Hardware List



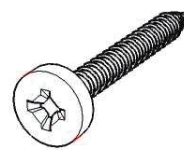
Anchor
1 pc. (+1 extra)



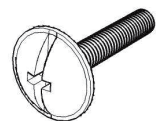
Bracket
2 pcs. (+1 extra)



Tip-over Restraint
1 pc. (+1 extra)



M3.5x40
Wall Screw
1 pc. (+1 extra)



M4x10
Machine Screw
1 pc. (+1 extra)

CARE INSTRUCTIONS

NEVER

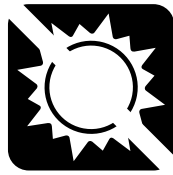
allow liquids to remain on furniture.
Absorption causes parts to warp
and split and finishes to delaminate.

NEVER

use glass cleaners on
finished furniture. Ammonia
chemically attacks the finish.



Do not use power tools
above 8 volts to assemble.
**PREVENT
CRACKING**



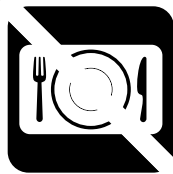
Do not place
in direct sunlight.
**PREVENT
FADING**



Do not write
directly on surface.
**PREVENT
MARKING**



Do not place hot
objects on surface.
**PREVENT
FINISH DAMAGE**



Do not use rubber
based placemats.
**PREVENT
DISCOLORING**



Do not use commercial
waxes and polishes.
**PREVENT
YELLOWING**

CLEAN

with a soft cloth moistened
in lukewarm soap and water.
Buff with a dry clean cloth.



Home Styles will provide replacements free of charge for missing or damaged hardware or parts within 30 days of purchase. Digital images of the defective parts may be required. If the product was not purchased from an authorized retail affiliate, Home Styles is under no obligation to provide replacement parts. Parts are not available for fully assembled items nor are parts available for sale. Replacements for missing or damaged hardware or parts may be requested at:

www.homestyles-furniture.com/customer-service/replacement-parts

Home Styles Customer Service: www.homestyles-furniture.com,
servicedesk@homestyles-furniture.com, 888-680-7460, 877-831-0319