

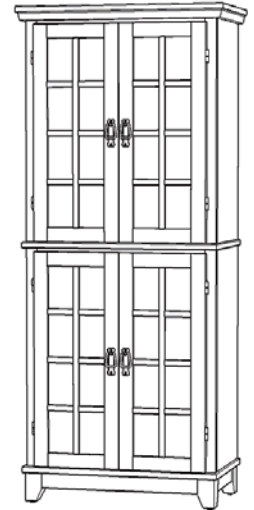
88 5180 64 Arts & Crafts Pantry

IMPORTANT NOTE

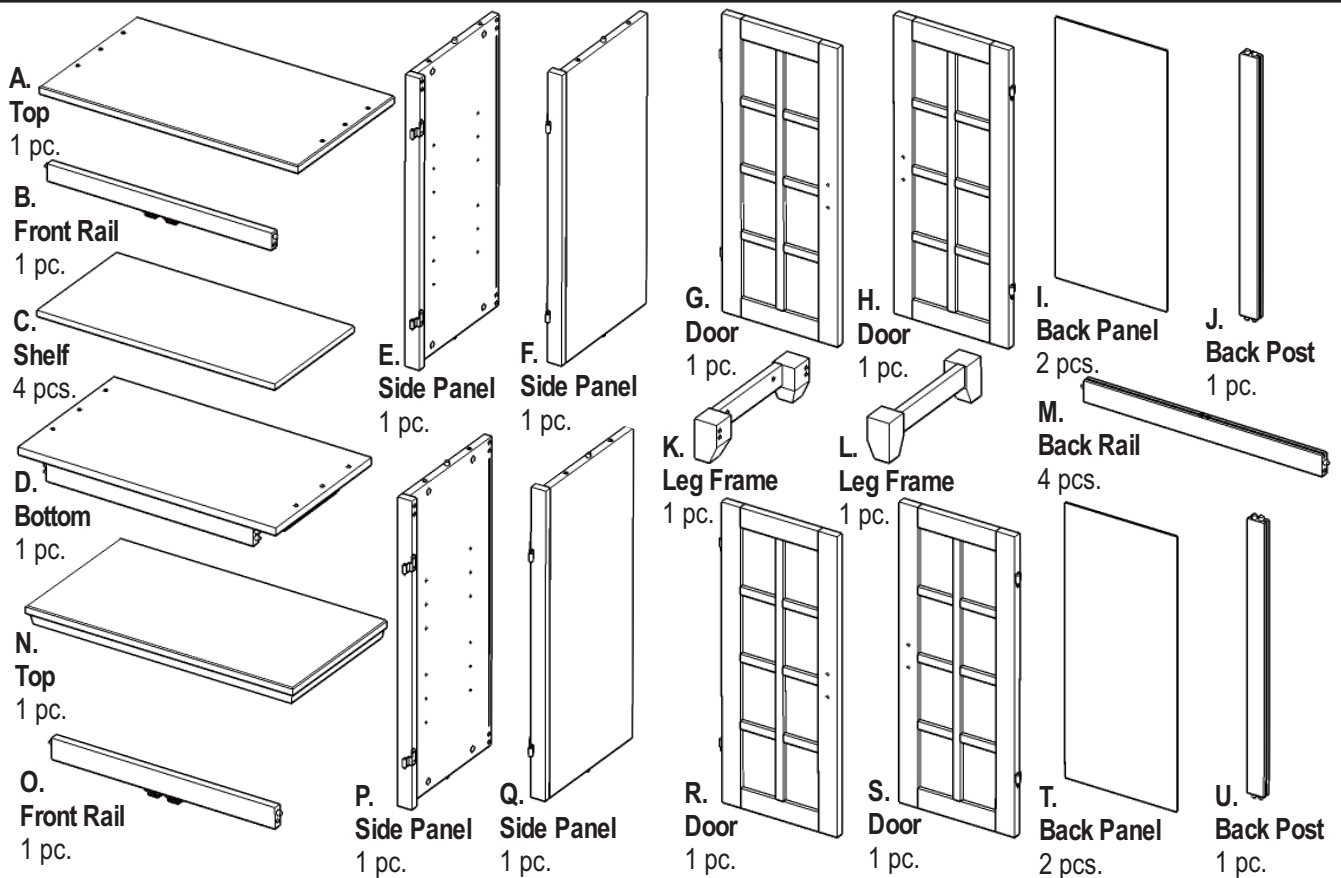
Carefully remove all the parts from the carton and put them individually on a soft cloth to prevent scratches or other damages occurring to the wood parts.

We have taken great care in the design of this product and request that you carefully and strictly follow our assembly instructions to ensure a completed product as it was designed.

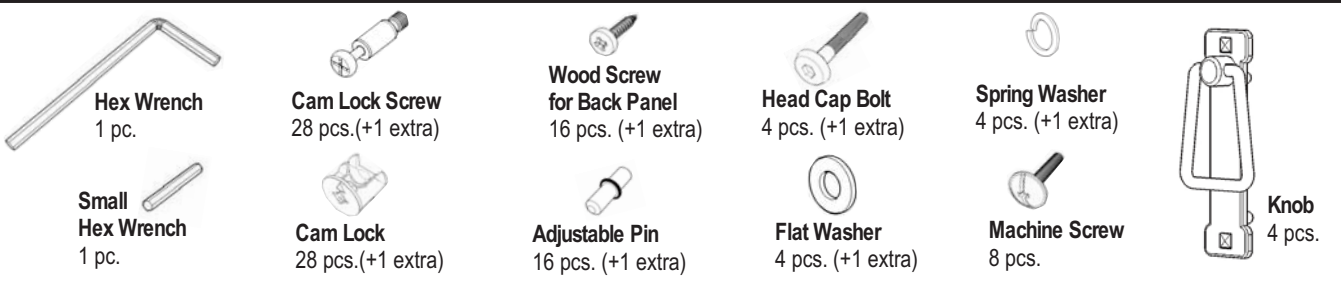
Home Styles



Part List



Hardware List



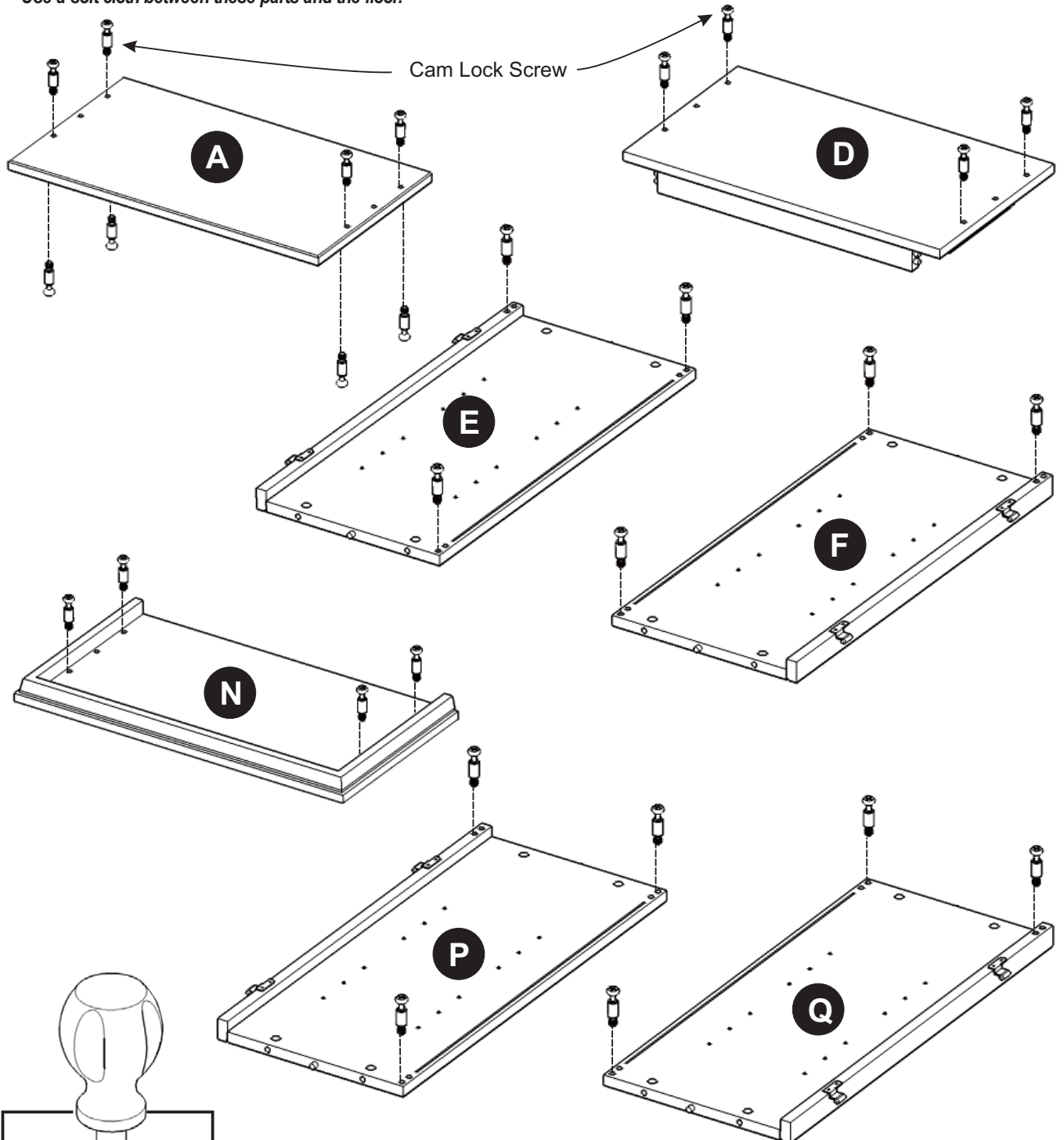
Tools required for assembly : **Phillips** screwdriver

Tools recommended for assembly : Level

Home Styles Consumer Assistance: www.homestyles-furniture.com,
servicedesk@homestyles-furniture.com, 888-680-7460, 877-831-0319

IMPORTANT

- * Do not tighten up all the screws until each part is properly assembled.
- * You should keep Hex Wrench in a safe place as you may need to tighten up the Head Cap Bolts in the future.
- * After assembly, item must be level to work properly. Use the included adjustable levelers to level.
- * Use a soft cloth between these parts and the floor.



STEP 1

Insert Cam Lock Screws into the pre-drilled holes of Top (A), (N), Bottom (D) and Side Panel (E), (F), (P), (Q). (see Figure 1)

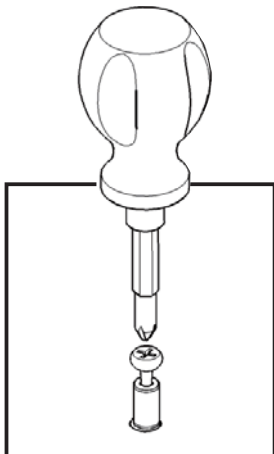
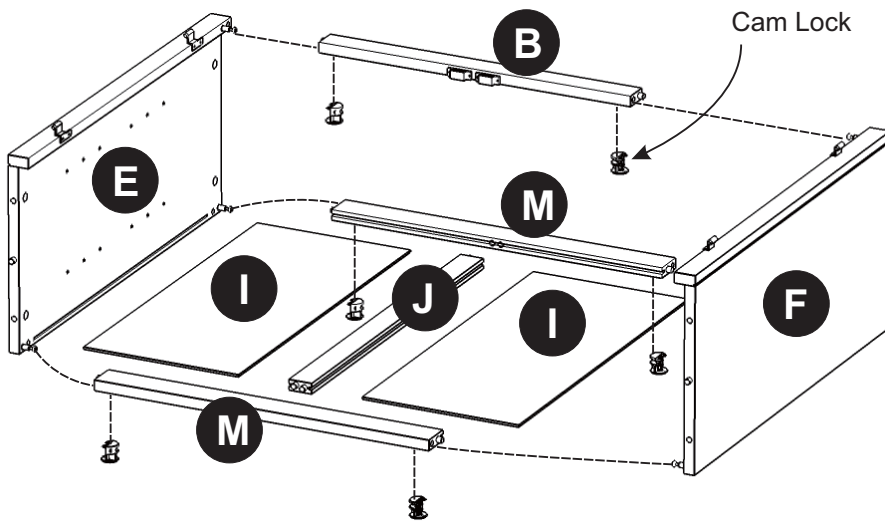
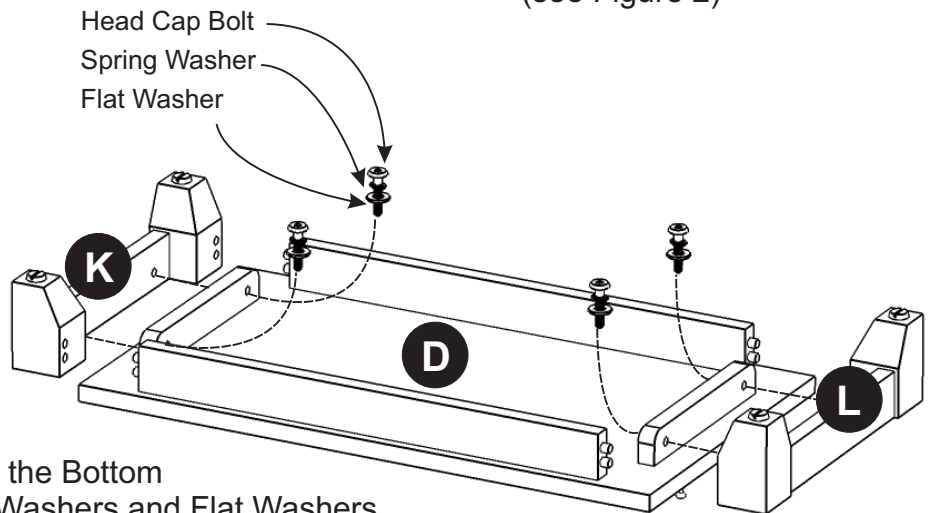


Figure 1



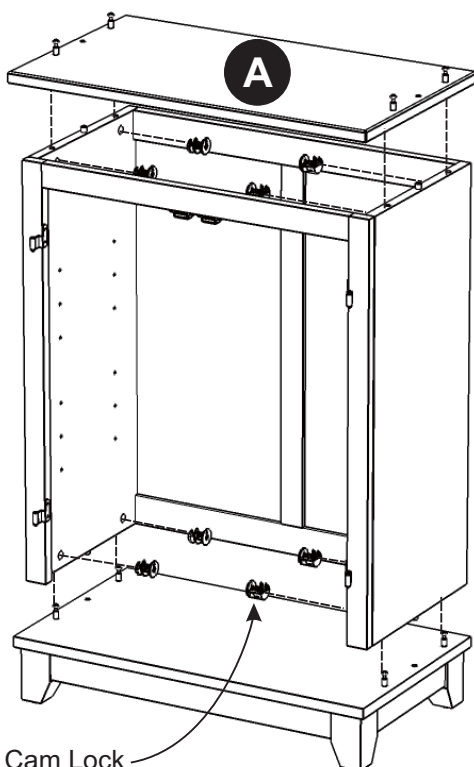
STEP 2

Attach Back Rail (M) to Side Panel (F) using a Cam Lock. Attach Back Post (J) to Back Rail (M). Slide Back Panels (I) to the unit. Attach Back Rail (M) to unit using a Cam Lock. Attach Front Rail (B) to unit using a Cam Lock. Attach Side Panel (E) to the unit using Cam Locks. (see Figure 2)



STEP 3

Attach Leg Frames (K), (L) to the Bottom with Head Cap Bolts, Spring Washers and Flat Washers. (see Figure 3)



STEP 4

Attach unit from Step 2 to unit from Step 3 using Cam Locks.

Place Top (A) onto unit using Cam Locks.

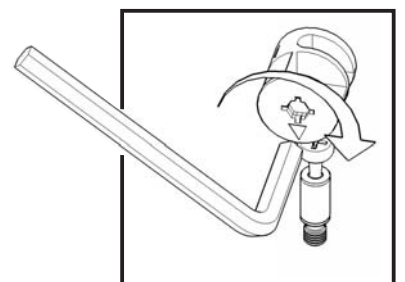


Figure 2

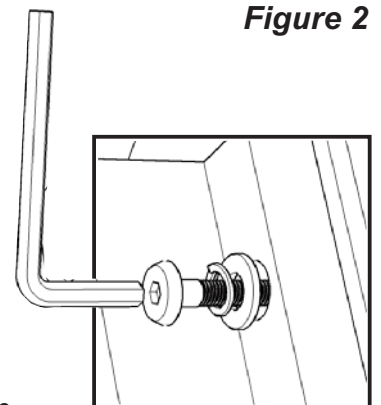
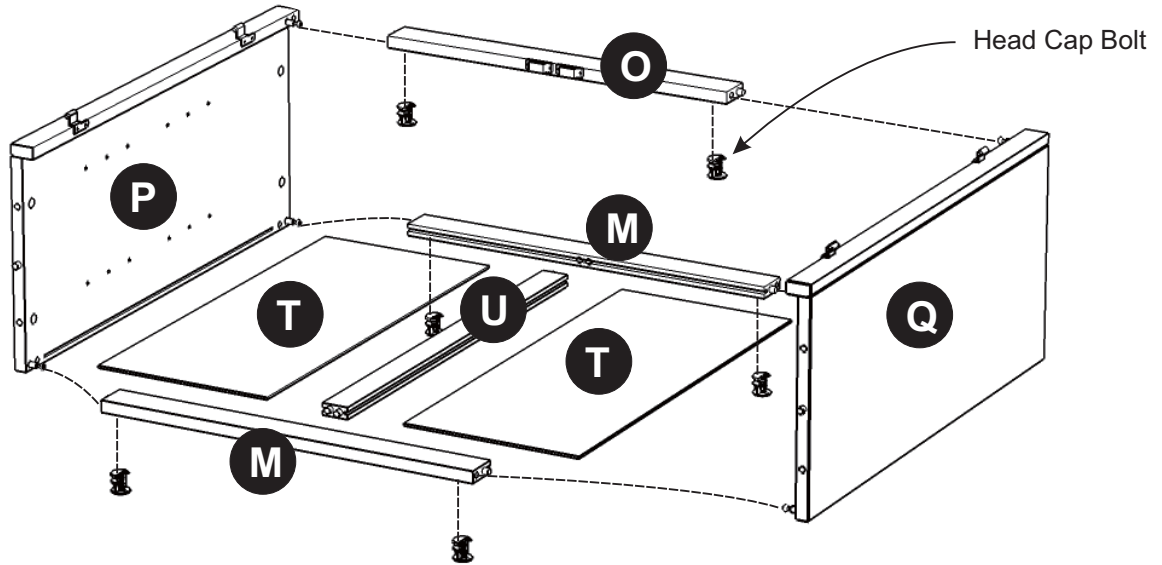
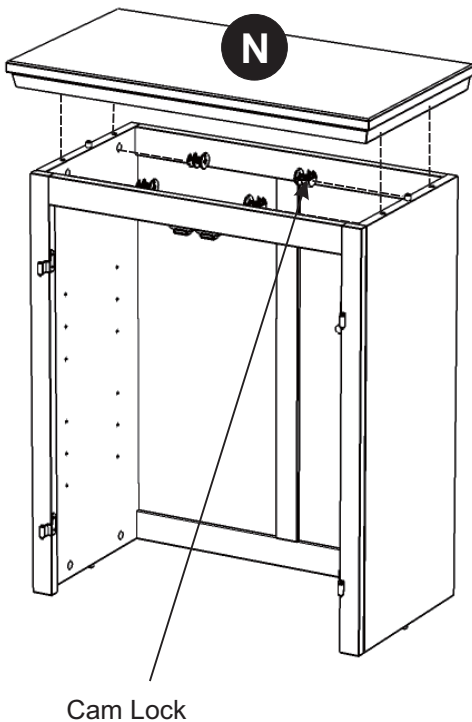


Figure 3



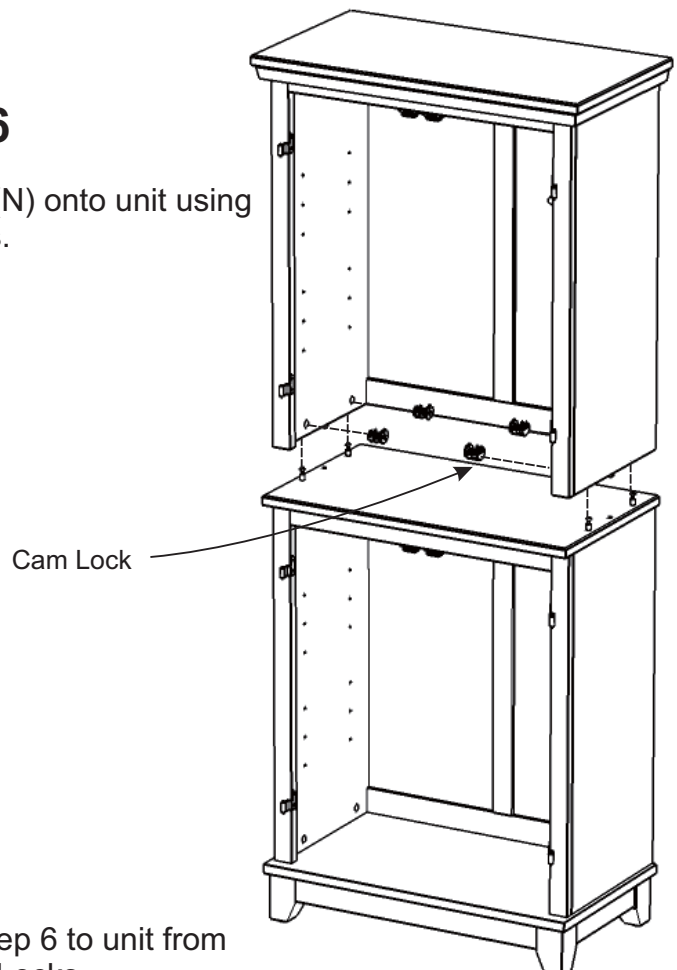
STEP 5

Attach Back Rail (M) to Side Panel (Q) using a Cam Lock. Attach Back Post (U) to Back Rail (M). Slide Back Panels (T) to the unit. Attach Back Rail (M) to unit using a Cam Lock. Attach Front Rail (O) to unit using a Cam Lock. Attach Side Panel (P) to the unit using Cam Locks.



STEP 6

Place Top (N) onto unit using Cam Locks.



STEP 7

Attach unit from Step 6 to unit from Step 4 using Cam Locks.

STEP 8

Insert Adjustable Pins into side panels at desired location.
Place Shelves (C) into position.

Attach Doors (G), (H), (R) and (S) to the side panels by sliding the door lift hinges into the side panel lift hinges. (see Figure 4)

Assemble Pull Handles to Door (G), (H), (R) and (S) with Machine Screws. (see Figure 5)

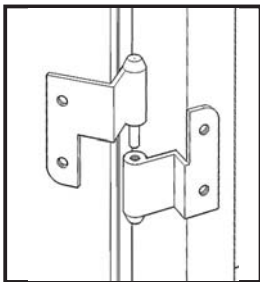
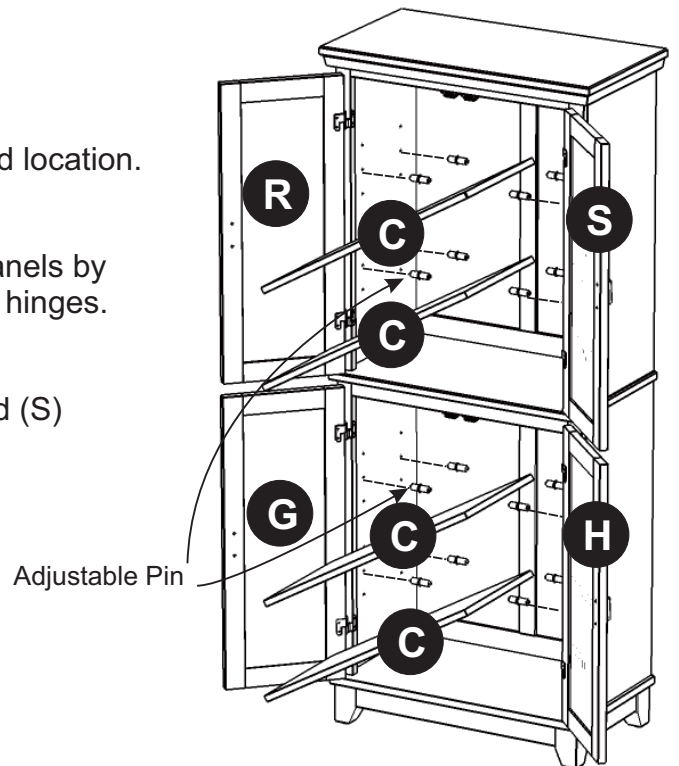


Figure 4

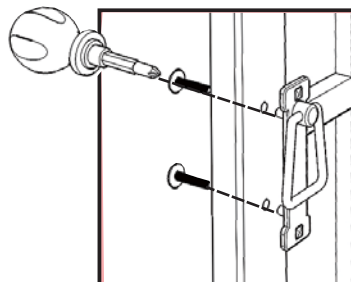


Figure 5

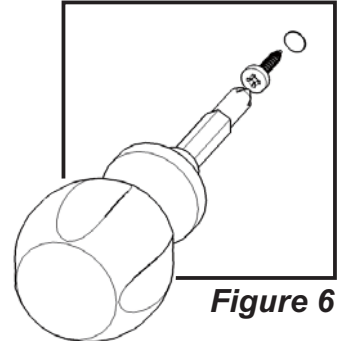
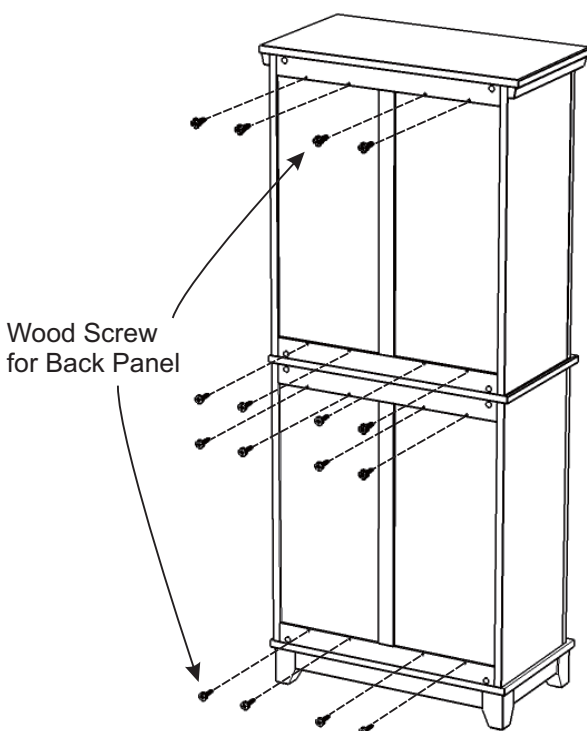


Figure 6



STEP 9

To level the unit, adjust the adjustable levelers on the bottom of unit. (see Figure 7)

Insert 16X Wood Screws from the back of the unit. (see Figure 6)

Note: Please make sure unit is level before tightening these screws.

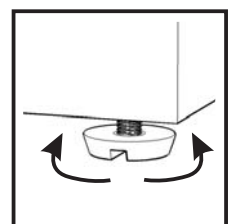


Figure 7