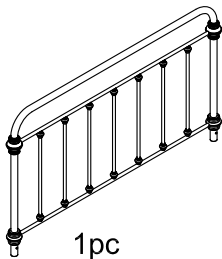
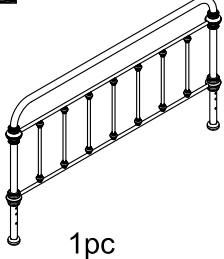
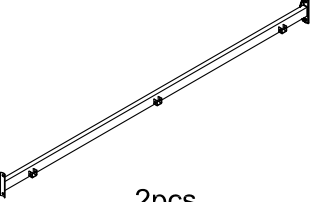
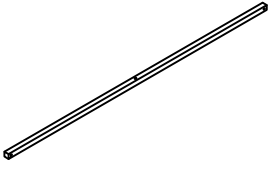
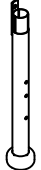
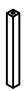


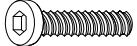

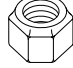



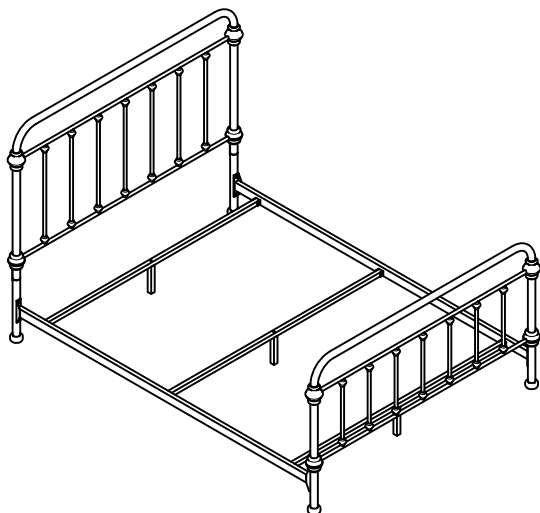


# ASSEMBLY INSTRUCTION

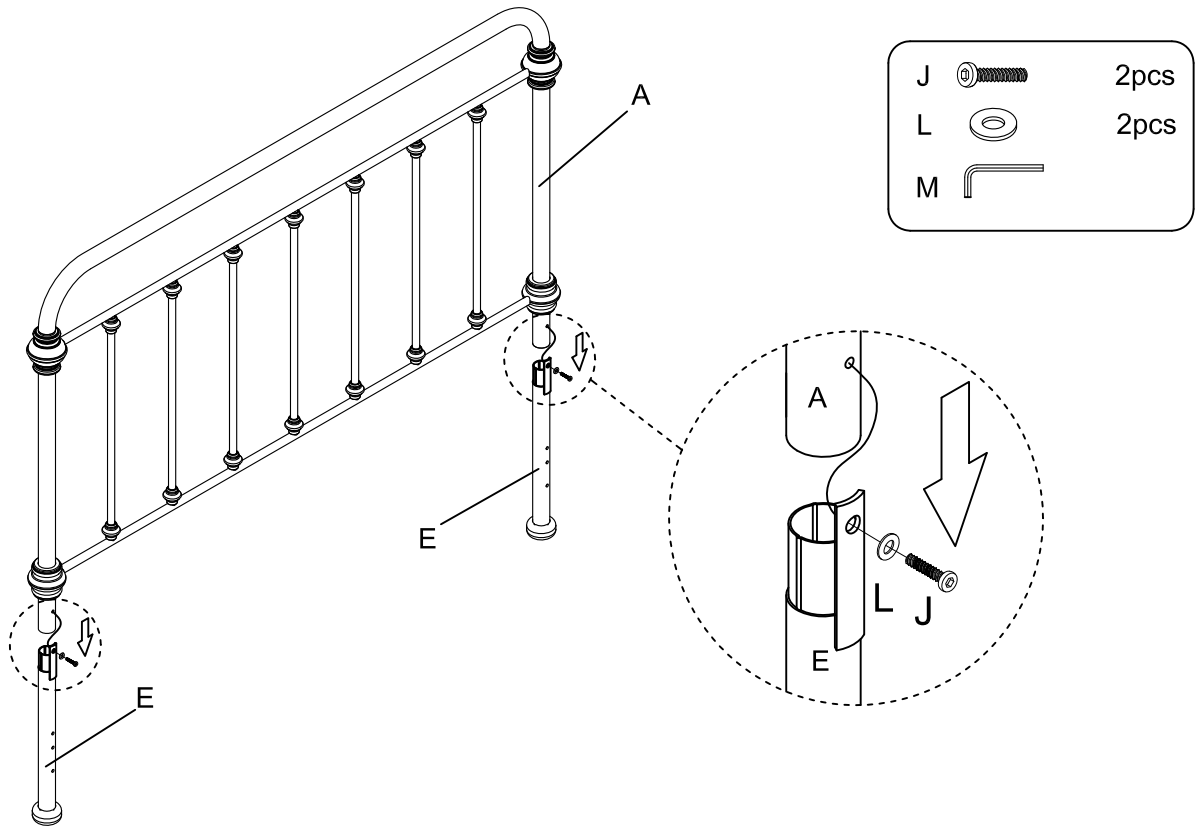
## E411BQ(3A) 7 SPINDLES METAL QUEEN BED

<b>A</b> Headboard  1pc	<b>B</b> Footboard  1pc	<b>C</b> Side rail  2pcs	<b>D</b> Slats  3pcs
<b>E</b> Extension leg  2pcs	<b>F</b> Support leg  3pcs	<b>G</b> Bolt 1/4",57mm  4pcs	<b>H</b> Bolt 1/4",44mm  9pcs
<b>I</b> Bolt 1/4",22mm  4pcs	<b>J</b> Bolt 1/4",16mm  2pcs	<b>K</b> Nut 1/4",25mm  10pcs	<b>L</b> Flat washer  25pcs
<b>M</b> Allen wrench 4x4mm  1pc	<b>N</b> Wrench 11.3mm  1pc		

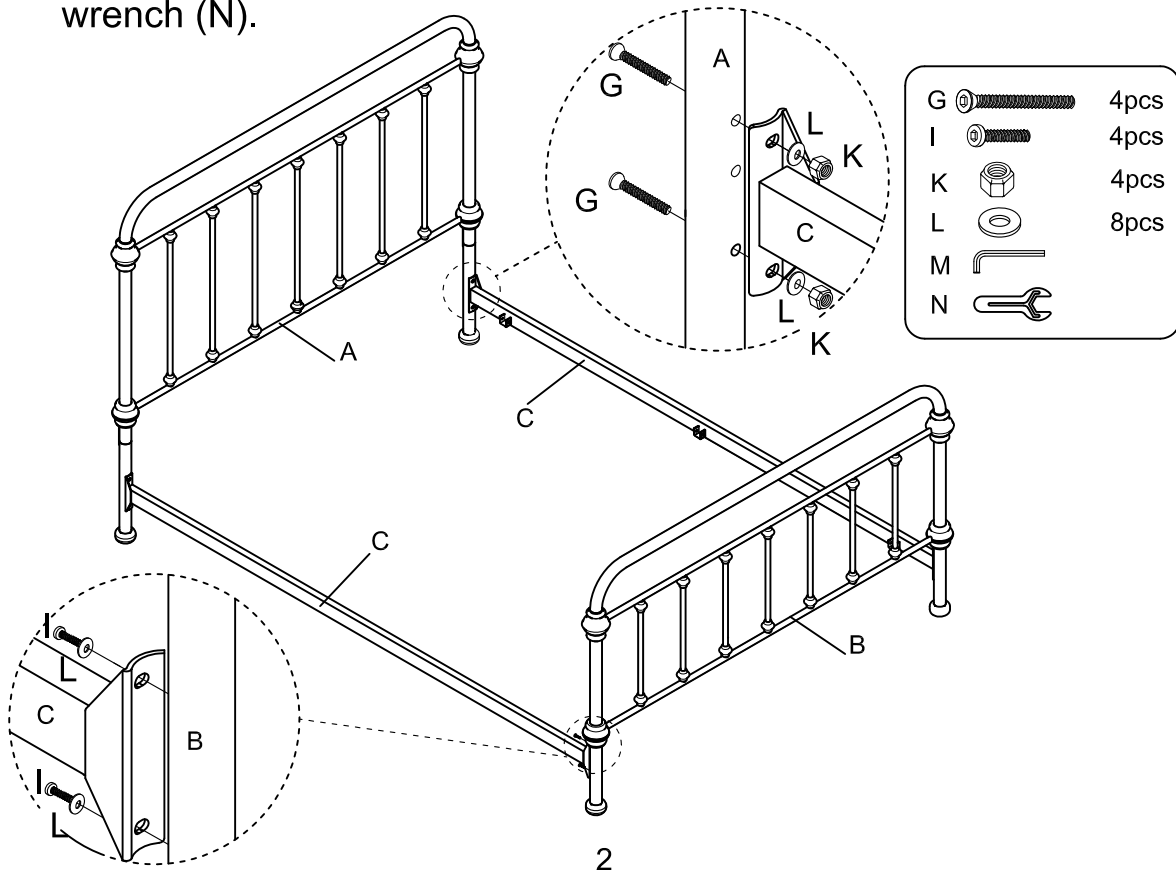


This page lists all the contents included in the box. Please take the time to identify the hardware as well as the individual components to this product. As you unpack and prepare for assembly, place the contents on a carpeted or padded area to protect them from damage.

**1** Assemble the extension leg (E) to the headboard (A) with 2pcs bolt (J) and 2pcs flat washer (L) fastened using allen wrench (M).

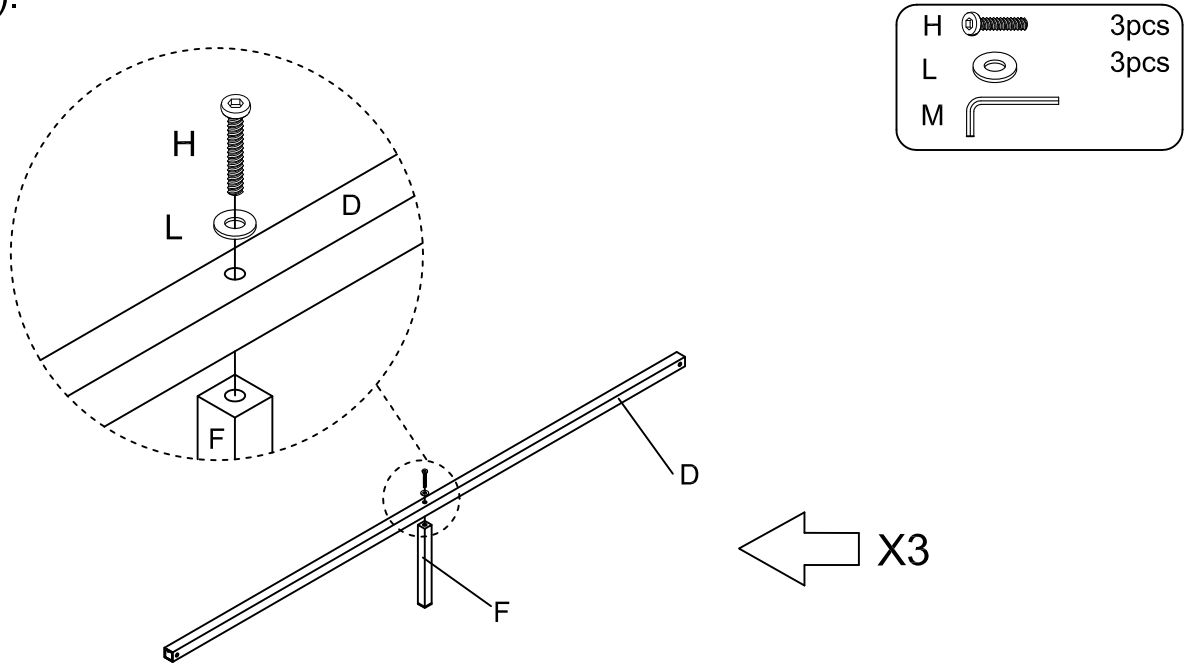


**2** Assemble the side rail (C) to the headboard (A) with 4pcs bolt (G), 4pcs nut (K), 4pcs flat washer (L). Assemble the side rail (C) to the footboard (B) with 4pcs bolt (I), 4pcs flat washer (L), then fastened using allen wrench (M) and wrench (N).

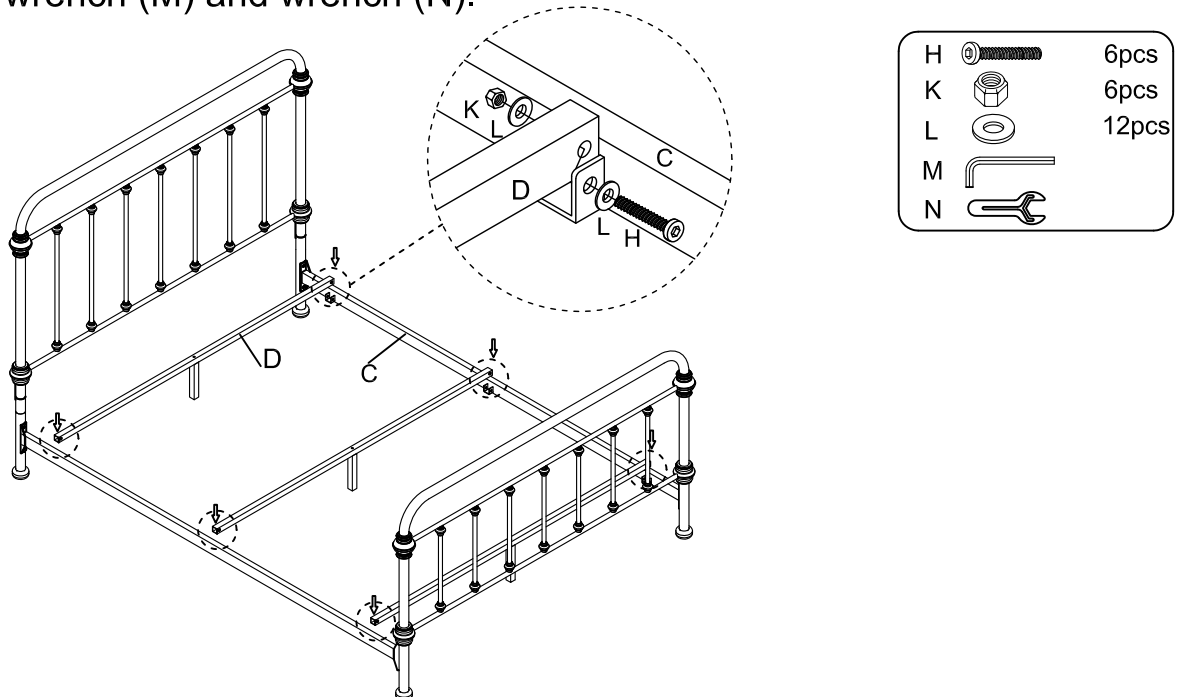


**3**

Assemble the slat (D) to the support leg (F) with 1pc bolt (H), 1pc flat washer (L) for each support leg (F), then fastened using allen wrench (M).

**4**

Assemble the slat (D) to the side rail (C) with 1pc bolt (H), 1pc nut (K) and 2pcs flat washer (L) for each end of slat (D), then fastened using allen wrench (M) and wrench (N).



#### Cleaning & Care

Treat surface with care. Surface is resistant to scratches but is not scratch resistant. Clean surfaces with a dry or damp soft cloth. Do not use abrasive cleaners. Hardware may loosen over time. Periodically check that all connections are tight.