



**H A M A R Y®**  
 STYLE | VALUE | SERVICE  
 A Division of La-Z-Boy® Incorporated

# ASSEMBLY INSTRUCTION

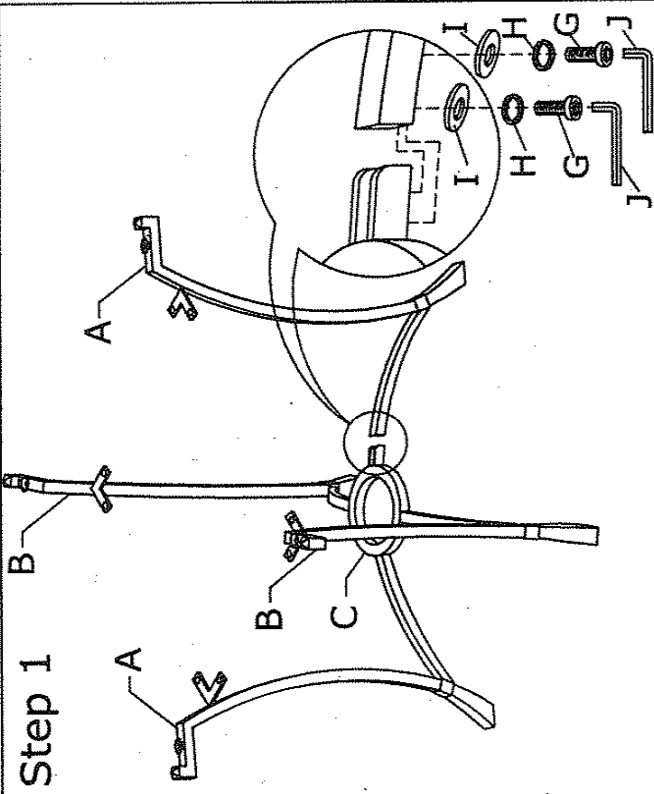
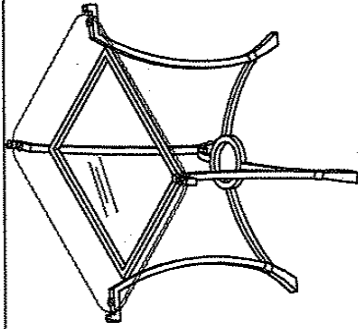
Item: T3002620-00B  
 T3002620-00T

## IMPORTANT SAFETY NOTICE: READ CAREFULLY BEFORE BEGINNING ASSEMBLY!

- \* Always use proper tools.
- \* Follow the assembly steps in order. Do not skip any steps.
- \* Carefully review the list of parts. If parts are missing, contact the retailer from which you purchased the product to obtain any missing parts. **DO NOT USE SUBSTITUTE PARTS.**
- \* Periodically check to ensure that all connectors (bolts, screws, etc.) are tight.
- \* Keep the instructions for future reference.



**NOTE:** HAMMAR FURNITURE INDUSTRIES, INC. DISCLAIMS ANY LIABILITY FOR DAMAGES OR INJURIES WHICH MAY OCCUR DUE TO FAILURE TO PROPERLY FOLLOW ASSEMBLY INSTRUCTIONS, PROPERLY ASSEMBLE THE PRODUCT, OR PROPERLY USE THE PRODUCT.



### HARDWARE LIST

F		SUNK BOLT (□1/4 "x5/8 ")	8pcs
G		ALLEN BOLT (□1/4 "x1/2 ")	8pcs
H		1/4" SPRING WASHER	8pcs
I		1/4" METAL WASHER	8pcs
J		Wrench (4mm)	1pcs

### PARTS LIST

A		Left Leg	2pcs
B		Right Leg	2pcs
C		Bottom Ring	1pcs
D		Top Frame	1pcs
E		Glass Top	1pcs

### Step 2

