

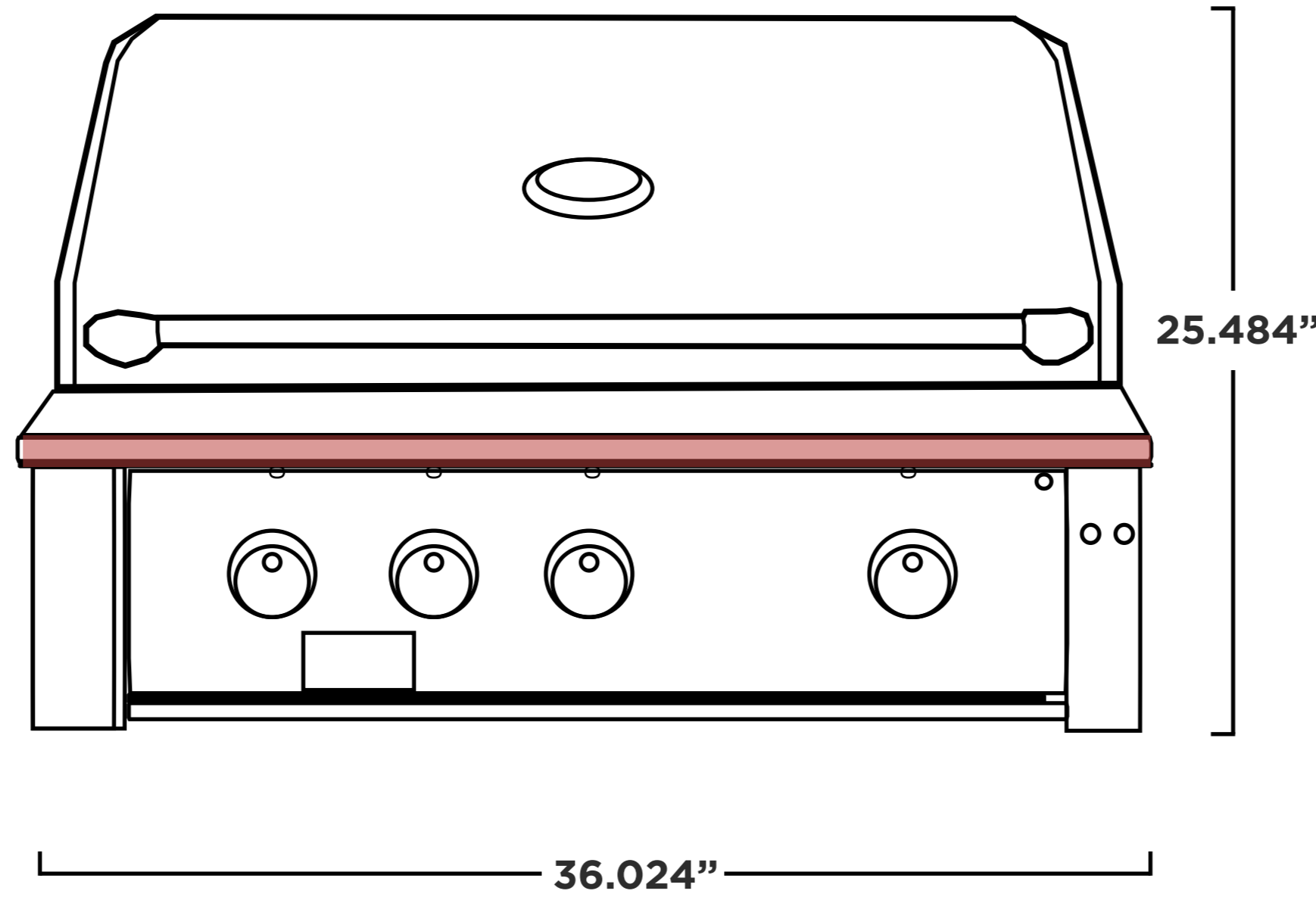


**SUMMERSET**  
PROFESSIONAL GRILLS

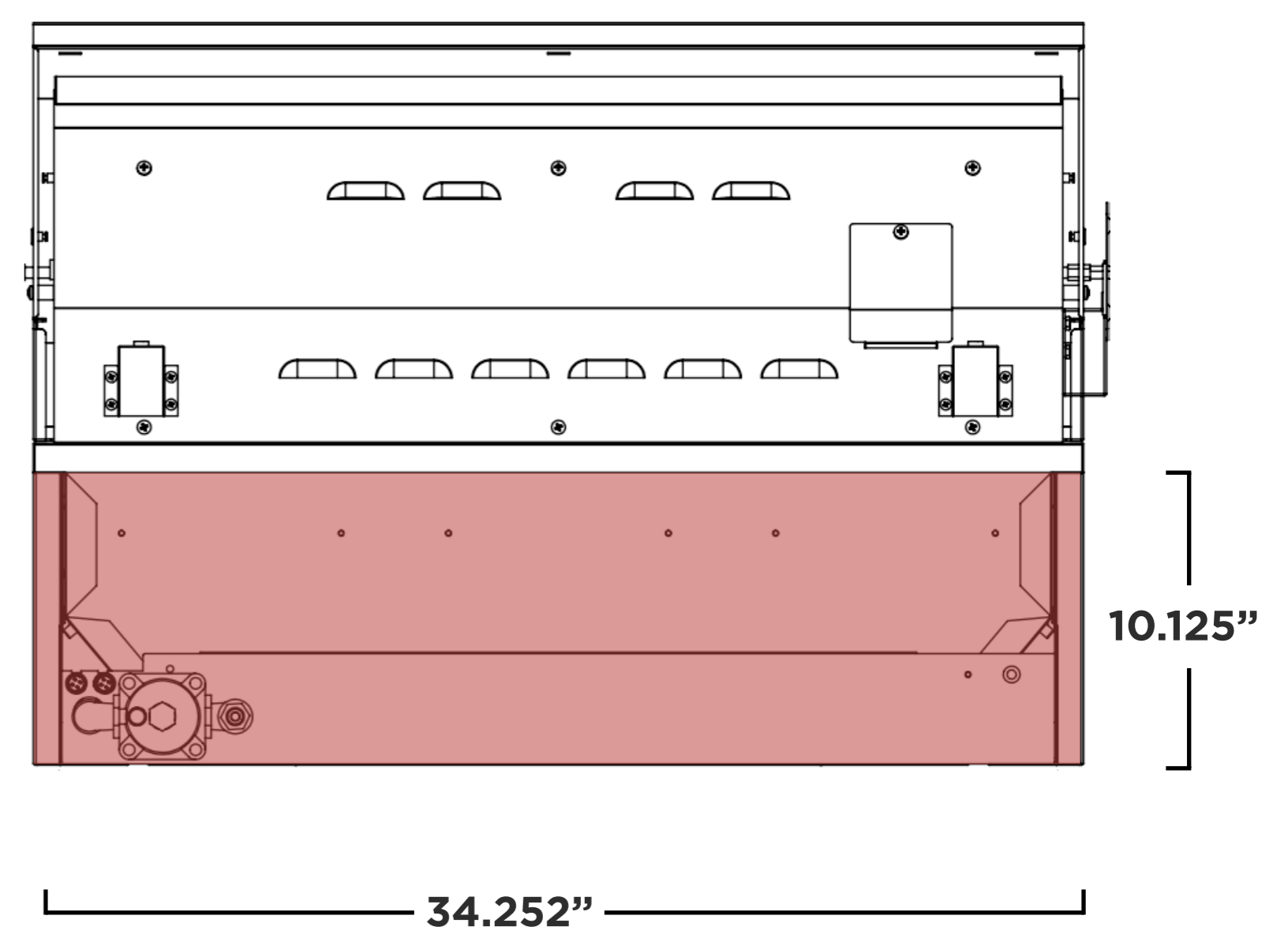
**36" - Alturi**

<b>Model</b>	ALT36
<b>Cutout Dimensions**</b>	34.5"W x 10.1875"H x 23.0625"D
<b>Actual Dimensions</b>	36.024"W x 25.484"H x 26.649"D
<b>Material</b>	#304 Stainless Steel
<b>Burner Count</b>	3 Main Burner
<b>Total BTU</b>	93,000 BTU
<b>Total Cooking Surface</b>	1,028 sq. in.
<b>Electical Supply</b>	120 VAC, 60 HZ - Input 12 VAC, 5000 mA, 60W - Output
<b>Gas Inlet NG</b>	3/8" NPT Female Regulator
<b>Gas Inlet LP</b>	3/8" NPT Male Fitting
<b>Power Cord Length</b>	13 ft. : 77" Power Cord + 80" Trans Wire

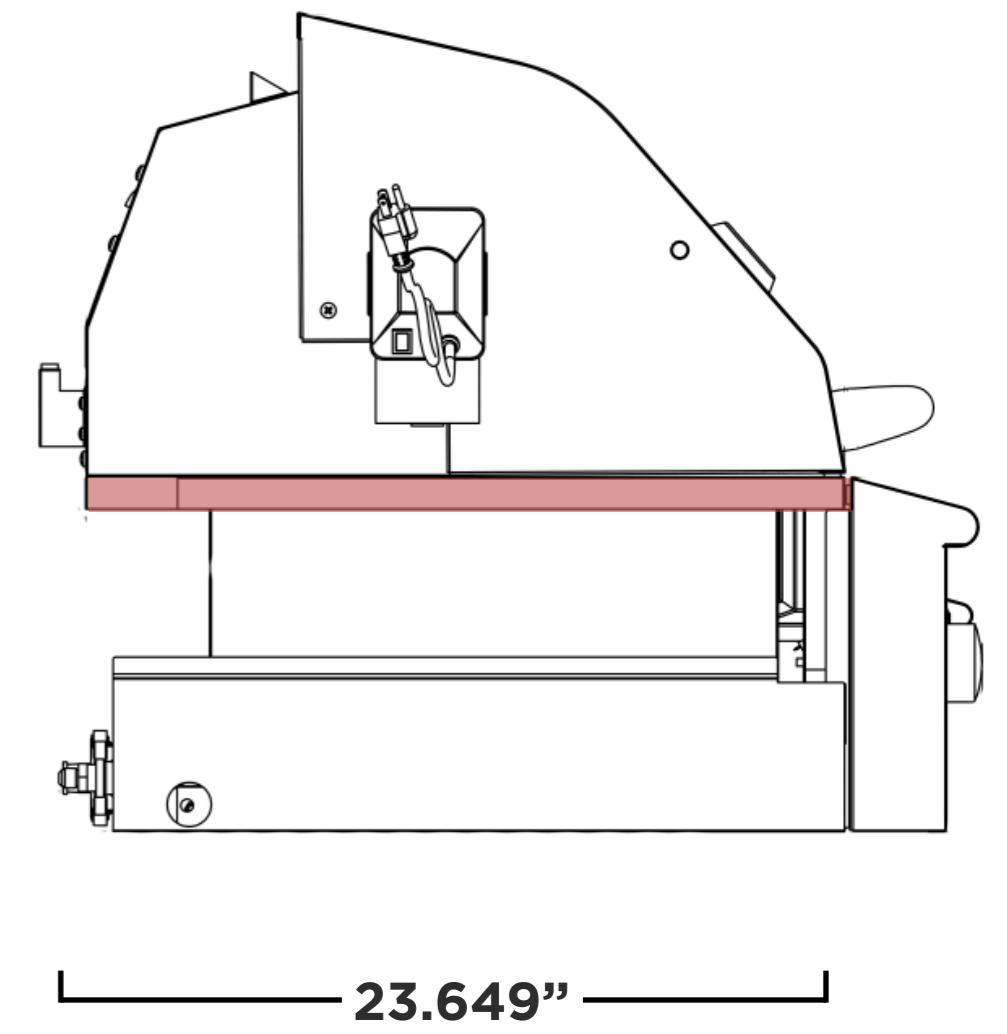
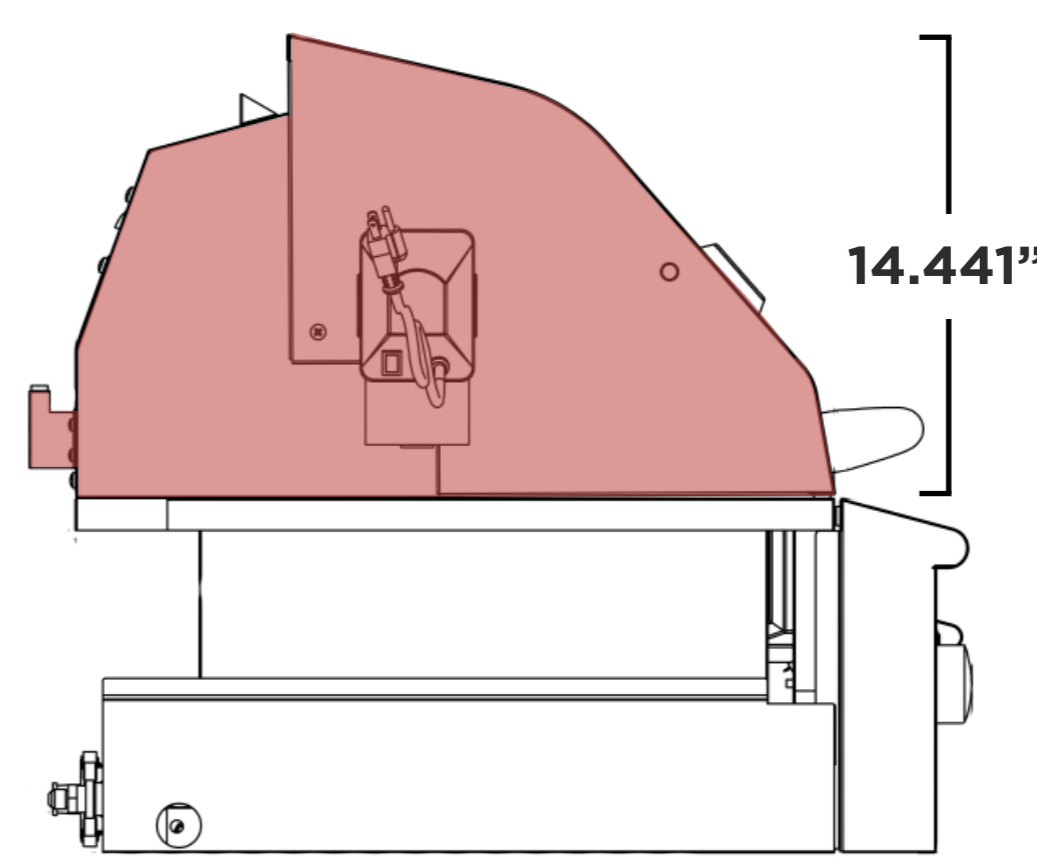
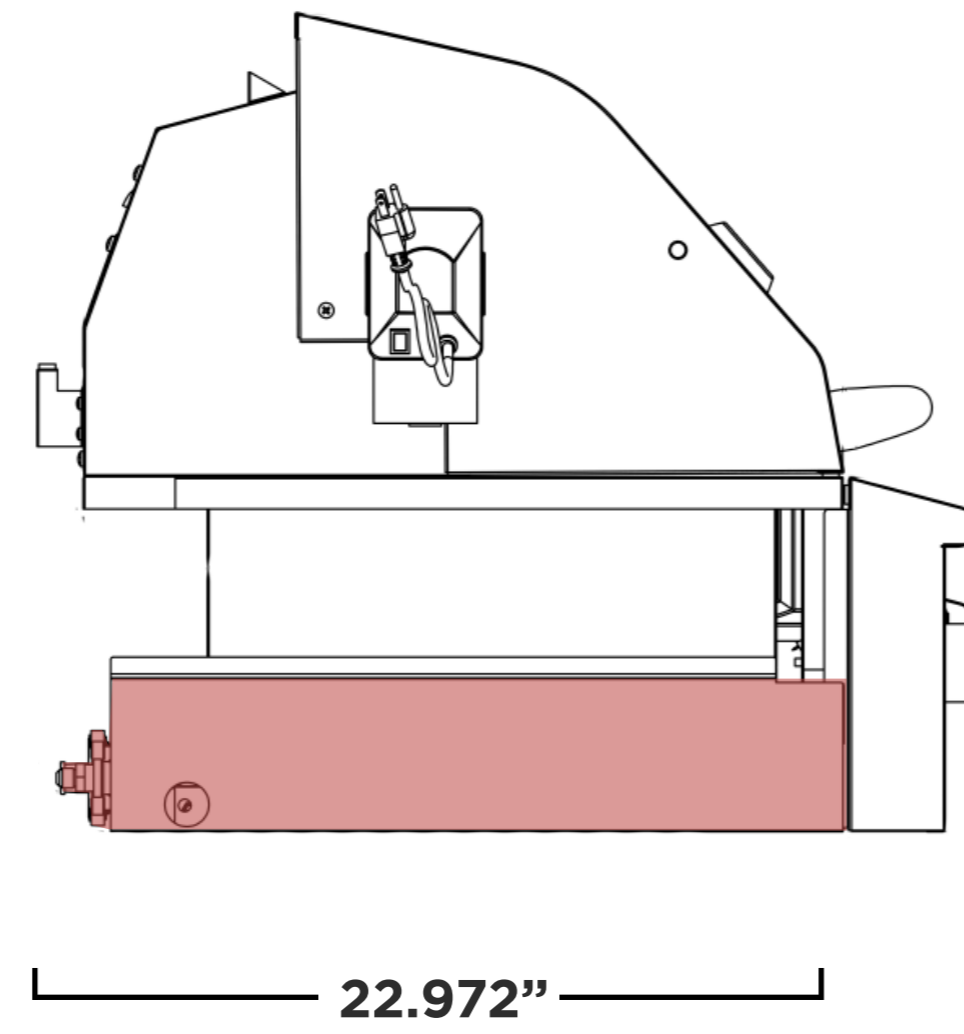
**Front**



**Rear**



**Side**

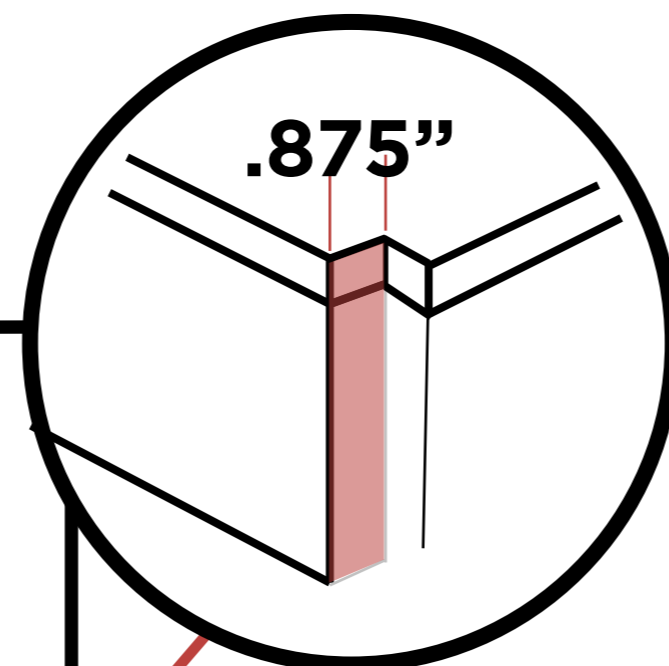
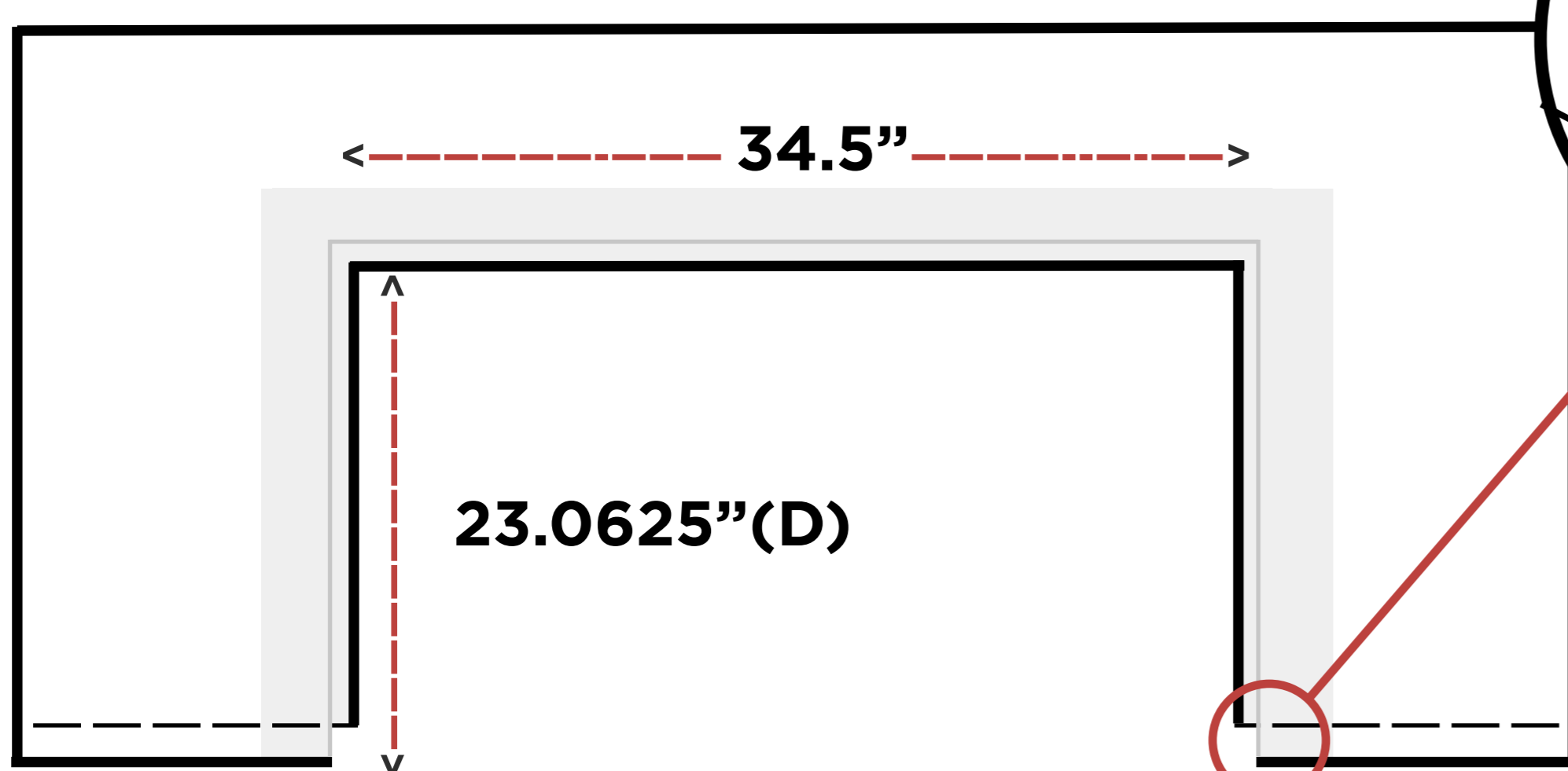


**NOTES**

**Cutout Dimensions \*\***

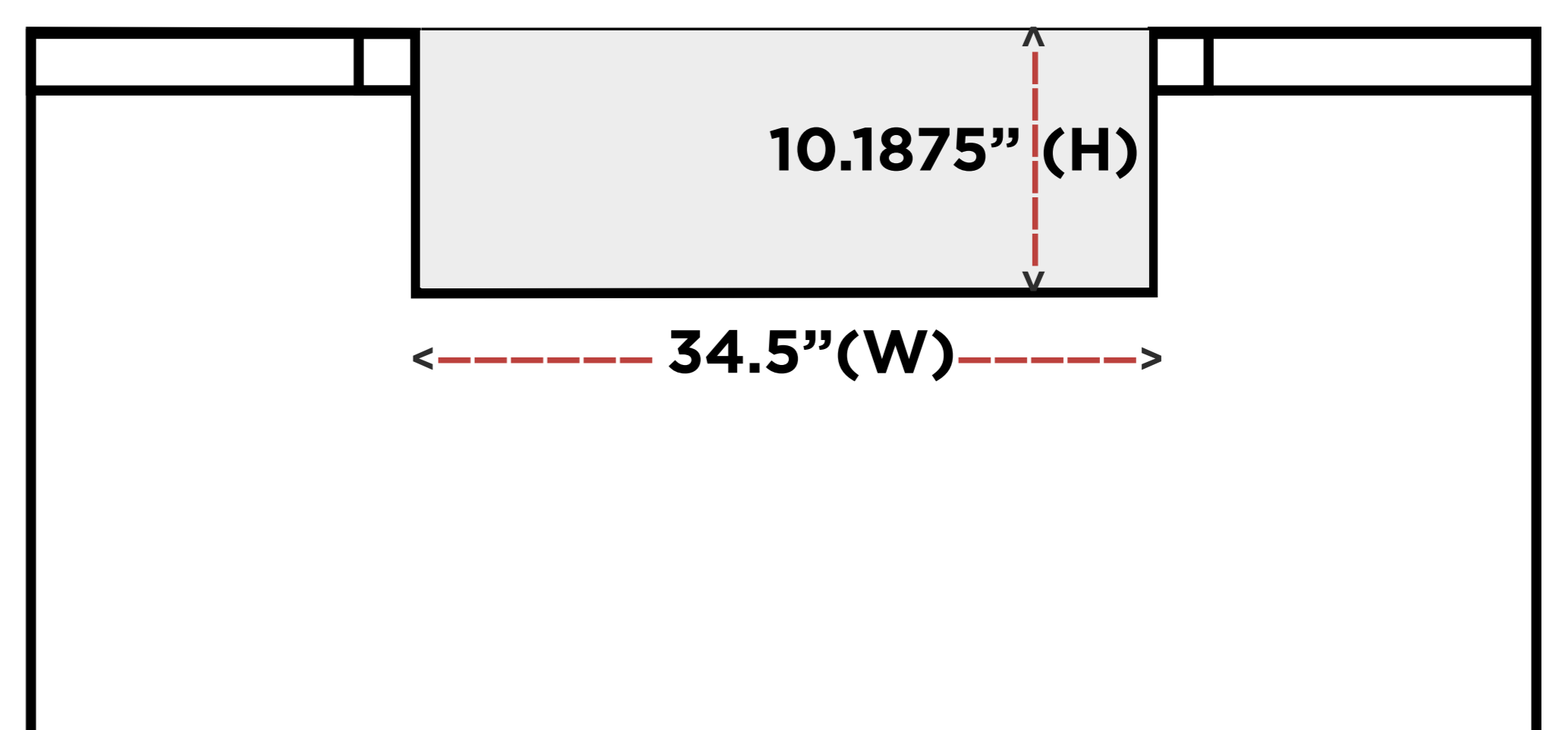
34.5"W x 10.1875"H x 23.0625"D

**Island Top View**



Countertop Notch  
Cutout Dimension

**Island Front View**



**Manufacturer Suggested Cutout Dimensions (\*\*)**