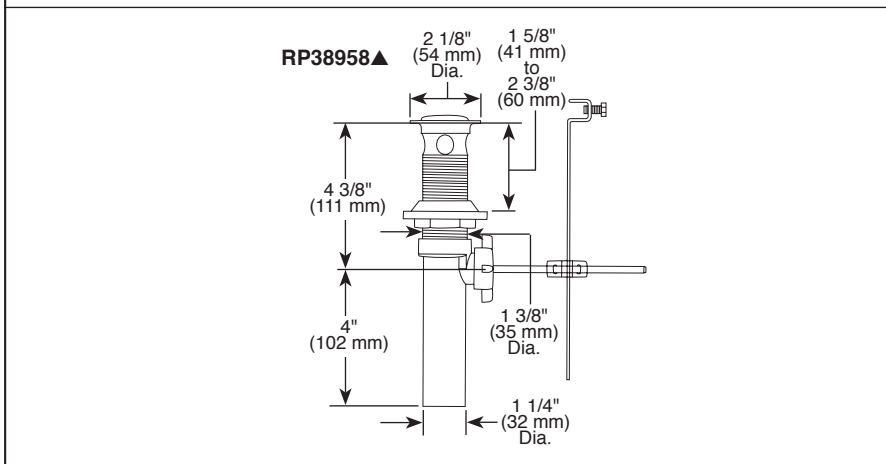
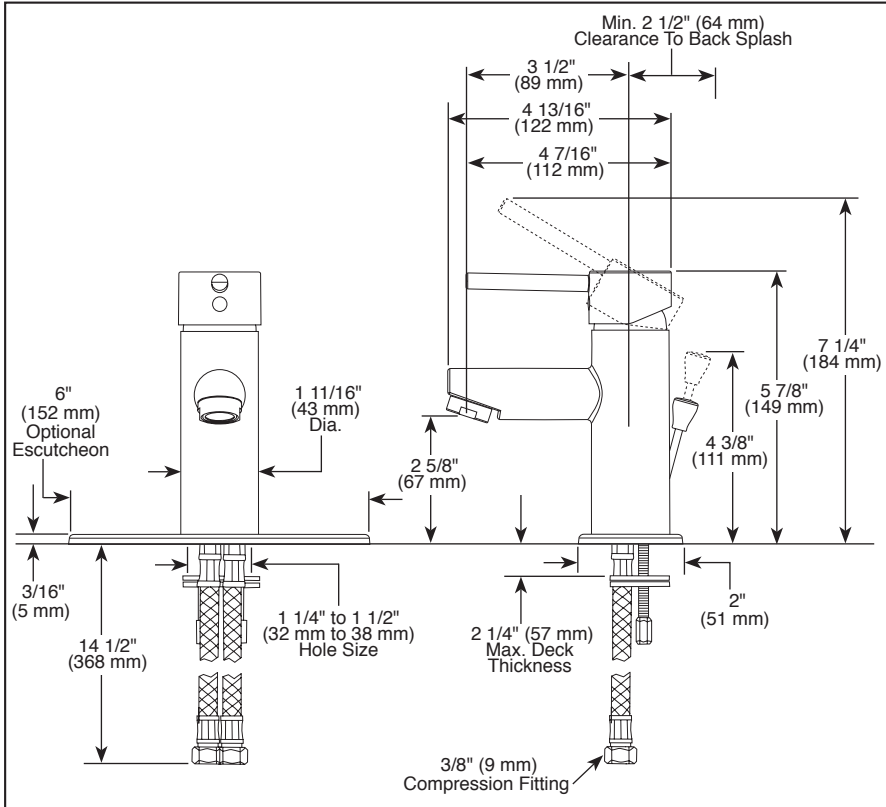


Submitted Model No.: \_\_\_\_\_

Specific Features: \_\_\_\_\_



▲ Designate Proper Finish Suffix



# LAVATORY FAUCETS

- Contemporary Round
- Single Handle Deck Mount
- 1 or 3 Hole Mount  
(Optional 6" Escutcheon Sold Separately)

## STANDARD SPECIFICATIONS:

- Single handle lavatory deck faucet.
- 1 or 3 hole mount (6" escutcheon plate sold separately for 3 hole installation (RP78359)).
- Solid brass body.
- Lift rod hole plug included.
- 3 1/2" (89 mm) long spout.
- Metal lever handle.
- Control mechanism is the ceramic disc cartridge with temperature limiter.
- Red/blue markings on handle for hot/cold identification.
- Control handle shall return to neutral position when valve is turned off.
- 1/4" threaded stud mounting.
- 3/8" compression fittings with flexible supply hoses 14 1/2" (368 mm) long.
- 2 1/4" (57 mm) maximum deck thickness.
- Maximum 1.5 gpm flowrate @ 60 PSI.
- Models have 50/50 pop-up type fitting with plated flange and stopper.

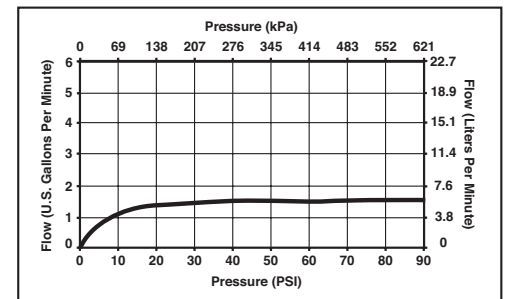
## WARRANTY

- Lifetime limited warranty on parts (other than electronic parts and batteries) and finishes: or, for commercial users, for 5 years from date of purchase.
- 5 year limited warranty on electronic parts (other than batteries); or, for commercial users, for 1 year from the date of purchase. No warranty is provided on batteries.



## COMPLIES WITH:

- ASME A112.18.1 / CSA B125.1
- ASME A112.18.2 / CSA B125.2
- Indicates compliance to ICC/ANSI A117.1
- EPA WaterSense®
- Verified compliant with .25% weighted average Pb content regulations.



55 E. 111th Street, Indianapolis, Indiana 46280  
 350 South Edgeware Road, St. Thomas, ON N5P 4L1  
 © 2014 Masco Corporation of Indiana

Delta reserves the right (1) to make changes in specifications and materials, and (2) to change or discontinue models, both without notice or obligation. Dimensions are for reference only. See current full-line price book or www.deltafaucet.com for finish options and product availability.

DSP-L-559LF-PP Rev. A