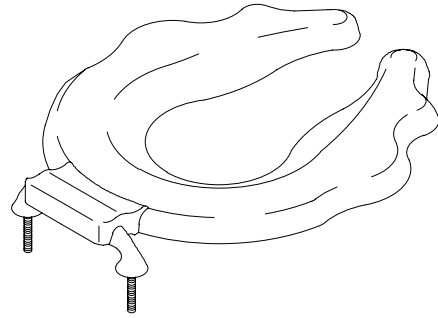


FEATURES

- Round open front
- Solid plastic
- With smaller opening
- Scalloped side handles for comfort and support of young children
- Less cover
- Includes an anti-microbial agent formed into the plastic which inhibits the growth of bacteria and germs on the toilet seat



CODES/STANDARDS APPLICABLE

Specified model meets or exceeds the following:

- None applicable

COLORS/FINISHES

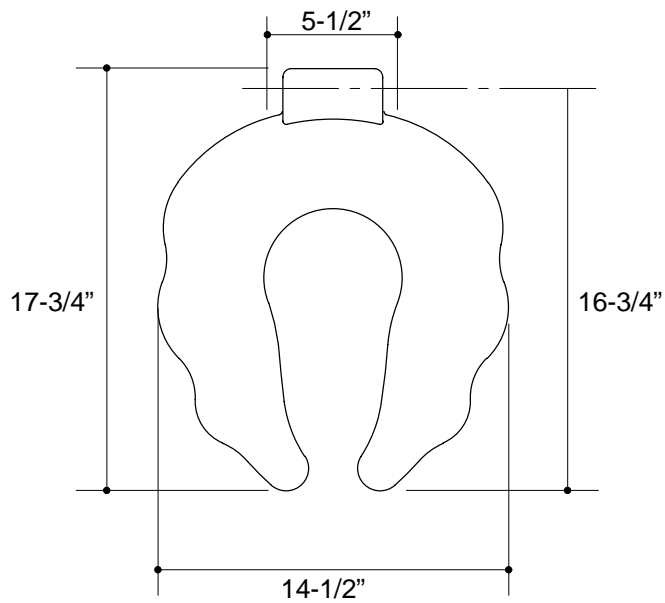
- 0 White
- R Red
- B Blue
- Y Yellow

SPECIFIED MODEL:

| Model | Description | Colors/Finishes | |
|----------|---|----------------------------------|--------------------------------------|
| | | <input type="checkbox"/> 0 White | <input type="checkbox"/> Other _____ |
| K-4686-A | Round open front seat (includes anti-microbial agent) | <input type="checkbox"/> 0 White | <input type="checkbox"/> Other _____ |

PRODUCT SPECIFICATION:

The toilet seat shall be round open front with smaller opening and scalloped side handles for comfort and support of young children. Toilet seat shall be made of solid plastic. Toilet seat shall be less cover. Toilet seat shall include an anti-microbial agent which inhibits the growth of bacteria and germs. Toilet seat shall be Kohler Model K-4686-A_____.



1

PRODUCT DIAGRAM