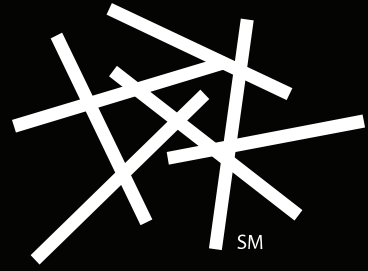
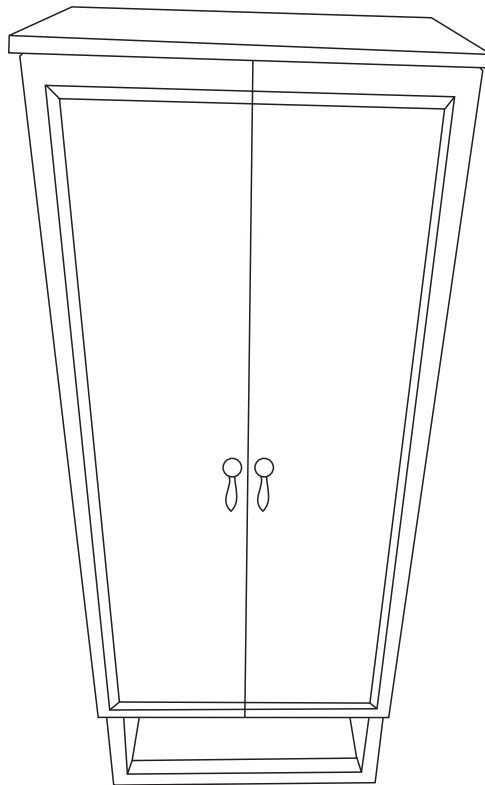


# hayneedle



ITEM NAME: Belham Living Adelaide Glam Jewelry Armoire-Mint Green

SKU: EWB717-1



**For assistance with assembly, please contact**

**Hayneedle Customer Care Center**

**1-888-880-4884**

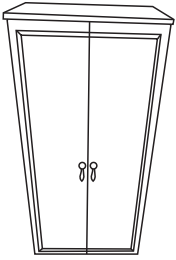



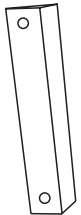
# PRE-ASSEMBLY PREPARATION:



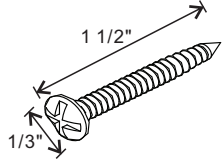
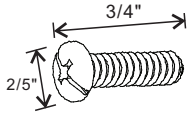
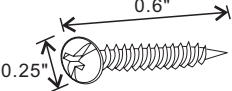
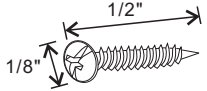
THIS PACKAGE MAY CONTAIN SMALL ITEMS WHICH SHOULD BE KEPT AWAY FROM CHILDREN

- Please check that all parts and hardware are included before beginning assembly.
- Save all packing materials until assembly is complete to avoid accidentally discarding smaller parts or hardware.
- Read through the preparation and assembly instructions in full before beginning assembly.
- Please use CAUTION AND CARE WHEN LIFTING the product to avoid personal injury and (or) damage to the product.
- The following additional tools are required for assembly: Philips screw driver [ NOT PROVIDED IN HARDWARE PACKAGE].
- For ease of assembly, two adults are recommended.

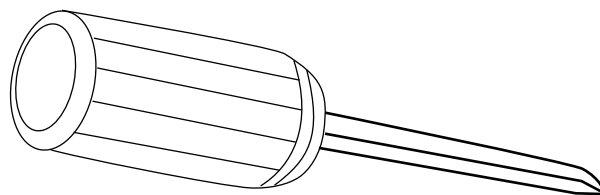
## PANEL AND FITTINGS IDENTIFICATION:

				
(A)Qty:1	(B)Qty:1	(C)Qty:1	(D)Qty:1	(E)Qty:4

## HARDWARE LIST:

			
(1)Qty:6	(2)Qty:8	(3)Qty:4	(4)Qty:1

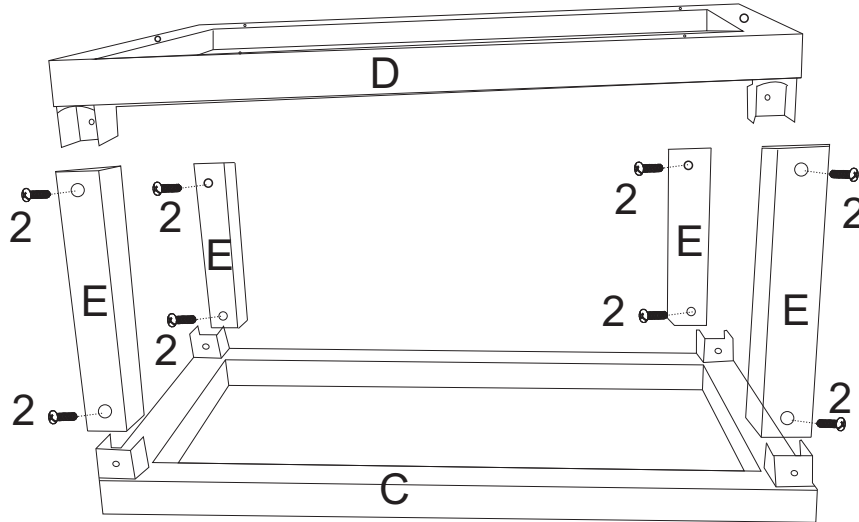
## TOOLS REQUIRED:



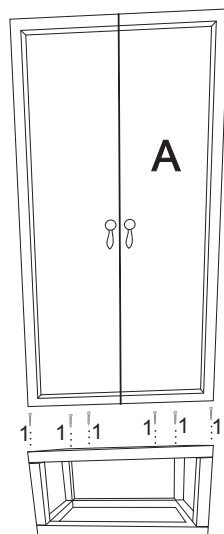
Philips screw driver

## STRUCTURAL DIAGRAM:

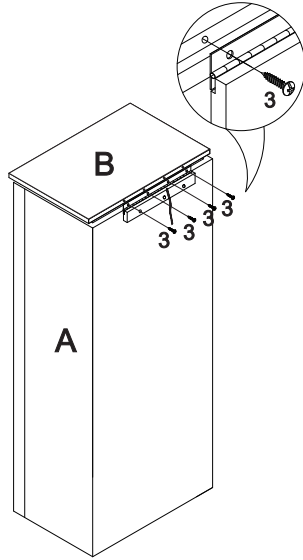
**Set:1** Stand the metal ( part C ) onto a smooth soft surface, attached the four metal support ( part E ) on the bottom ( part C ). Secured the metal topper ( part D ) using the screws ( part 2 ).



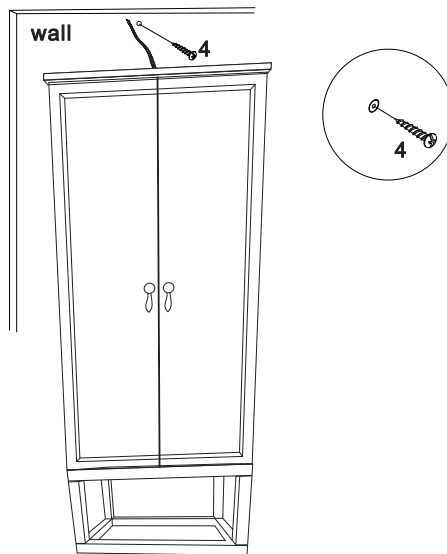
**Set:2** Attached the metal bottom to the bottom of the armoire ( part A ), secured with four screws ( part 1 ) as shown.



**Set:3**Carefully stand armoire upright. Attached Top(part B) to the back of Armoire (part A) using four screws(Part 3).



**Set:4**You may choose to secure the armoire to the wall by using screws (Part 4).





For assistance with assembly, please contact customer service  
1-888-880-4884