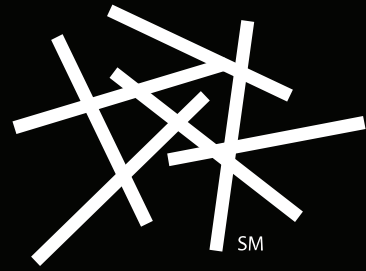
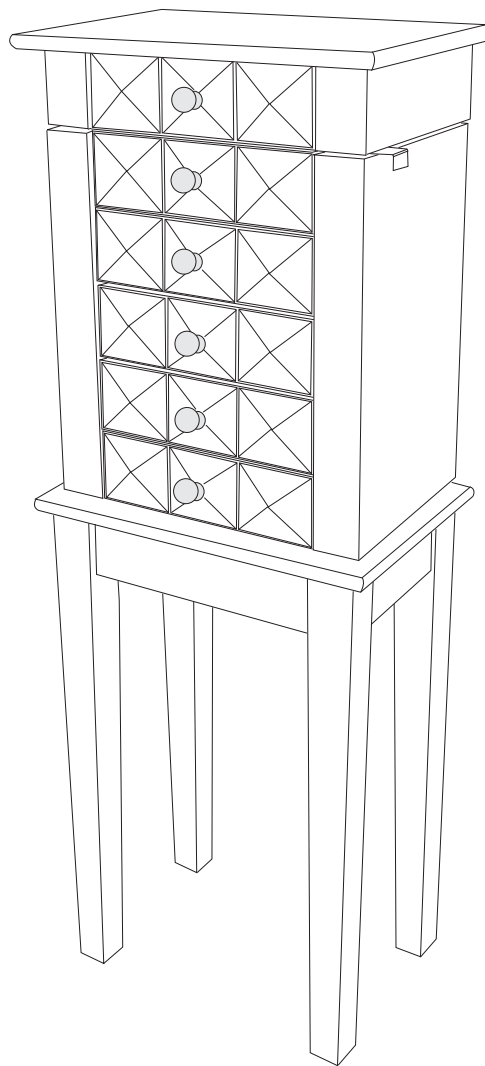


# hayneedle



ITEM NAME: Finley Home Zoe Jewelry Amoire

SKU: EWB711-1 / EWB712-1



**For assistance with assembly, please contact**

**Hayneedle Customer Care Center**

**1-888-880-4884**

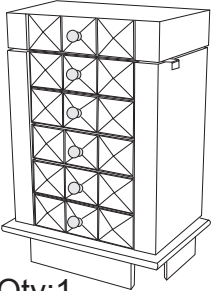


# PRE-ASSEMBLY PREPARATION:



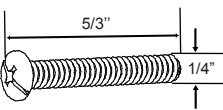
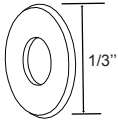
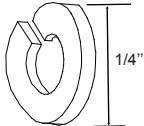
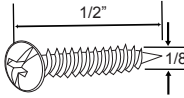
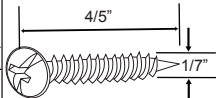
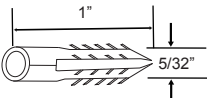
THIS PACKAGE MAY CONTAIN SMALL ITEMS WHICH SHOULD BE KEPT AWAY FROM CHILDREN

- Please check that all parts and hardware are included before beginning assembly.
- Save all packing materials until assembly is complete to avoid accidentally discarding smaller parts or hardware.
- Read through the preparation and assembly instructions in full before beginning assembly.
- Please use CAUTION AND CARE WHEN LIFTING the product to avoid personal injury and (or) damage to the product.
- The following additional tools are required for assembly: Philips screw driver [ NOT PROVIDED IN HARDWARE PACKAGE].
- For ease of assembly, two adults are recommended.

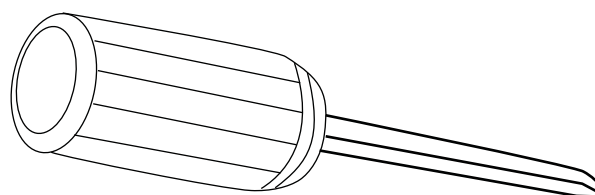
## PANEL AND FITTINGS IDENTIFICATION:

 <p>(A) Qty:1</p>	 <p>(B) Qty:4</p>	 <p>(C) Qty:1</p>
---	---	---

## HARDWARE LIST:

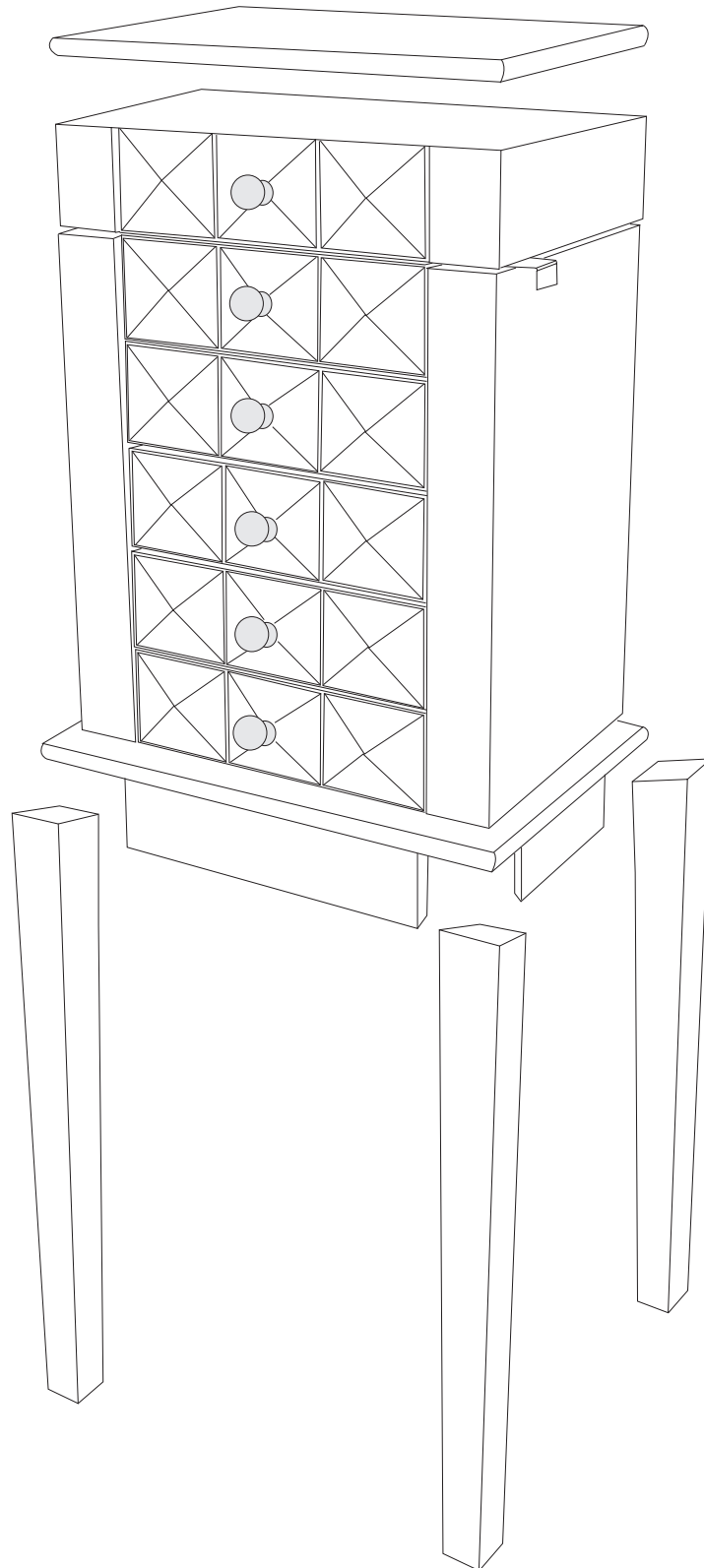
 <p>(1) Qty:8</p>	 <p>(2) Qty:8</p>	 <p>(3) Qty:8</p>	 <p>(4) Qty:3</p>	 <p>(5) Qty:1</p>	 <p>(6) Qty:1</p>
--	--	--	---	--	--

## TOOLS REQUIRED:



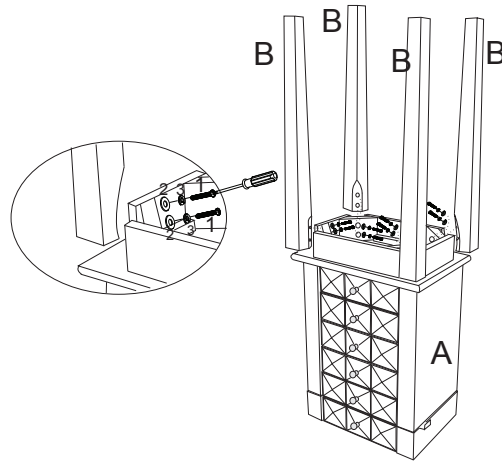
Philips screw driver

# STRUCTURAL DIAGRAM:

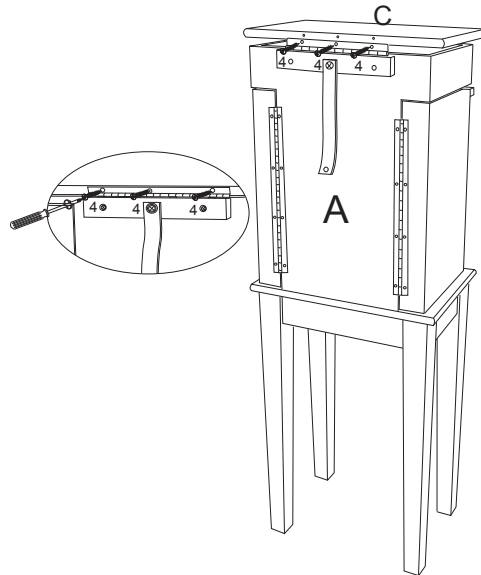


## STEP-BY-STEP ASSEMBLY:

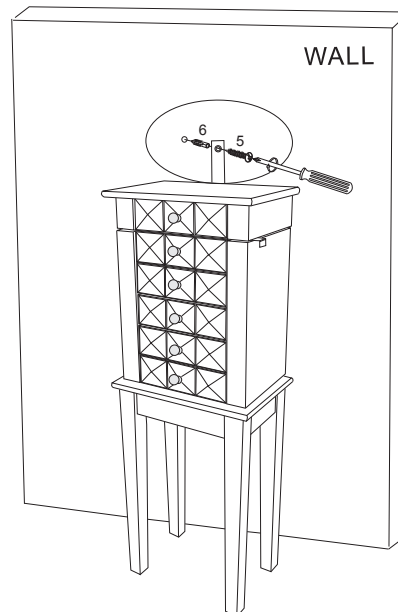
- 1 STEP 1:** Stand armoire upside down onto a smooth soft surface. Attach the legs( part B) to the bottom of the armoire (part A) secure each leg with two screws (part 1), two flat washer (part 3) and two locking washer(part 2). Repeat on the other three legs as shown.



- 2 STEP 2:** Carefully stand armoire upright. Attached Top( part C) to the back of Armoire ( part A) using three screws(part 4).



- 3 STEP 3:** You may choose to secure the armoire to the wall by using screws(part 5), the metal plate , and the plastic plus(part 6).





For assistance with assembly, please contact customer service  
1-888-880-4884