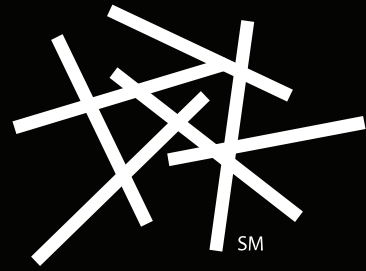
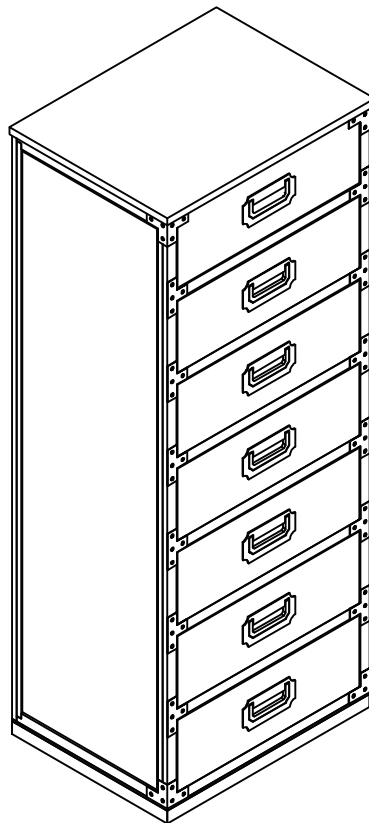


hayneedle



ITEM NAME: Belham Living Campaign Trunk Jewelry Armoire

SKU: EWB682-1 / EWB683-1 / EWB684-1 / EWB685-1



For assistance with assembly, please contact

Hayneedle Customer Care Center

1-888-880-4884

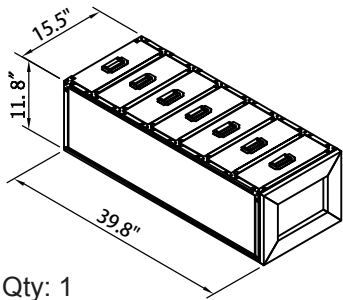
PRE-ASSEMBLY PREPARATION:



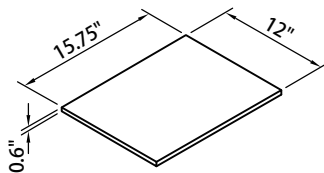
THIS PACKAGE MAY CONTAIN SMALL ITEMS WHICH SHOULD BE KEPT AWAY FROM CHILDREN

- Please check that all parts and hardware are included before beginning assembly.
- Save all packing materials until assembly is complete to avoid accidentally discarding smaller parts or hardware.
- Read through the preparation and assembly instructions in full before beginning assembly.
- Please use CAUTION AND CARE WHEN LIFTING the product to avoid personal injury and (or) damage to the product.
- The following additional tools are required for assembly: Philips screw driver [NOT PROVIDED IN HARDWARE PACKAGE].
- For ease of assembly, two adults are recommended.

PANEL AND FITTINGS IDENTIFICATION:

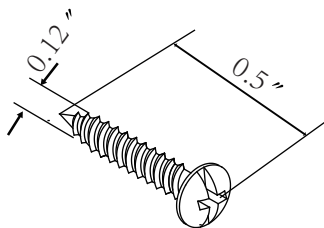


(A) Qty: 1



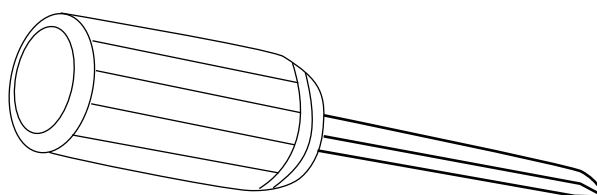
(B) Qty: 1

HARDWARE LIST:



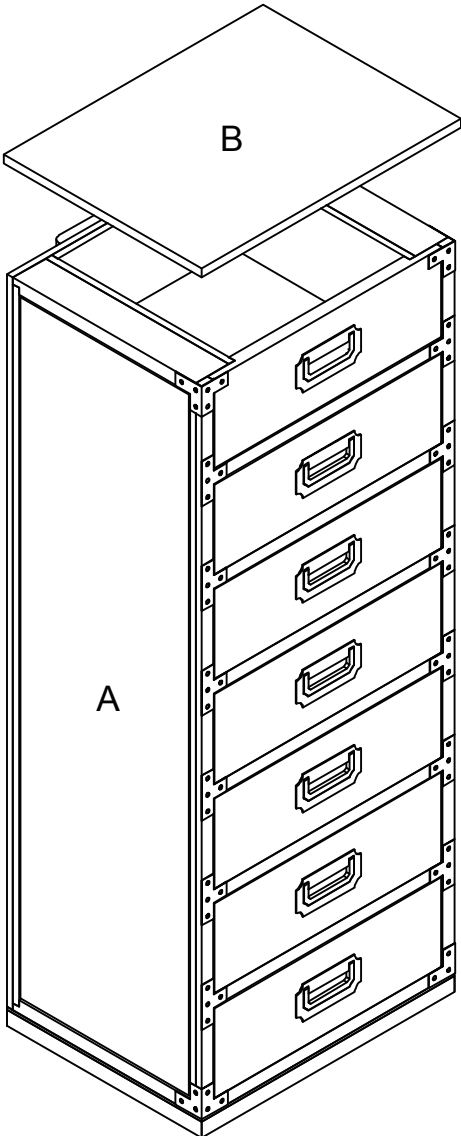
(1) Qty:5

TOOLS REQUIRED:



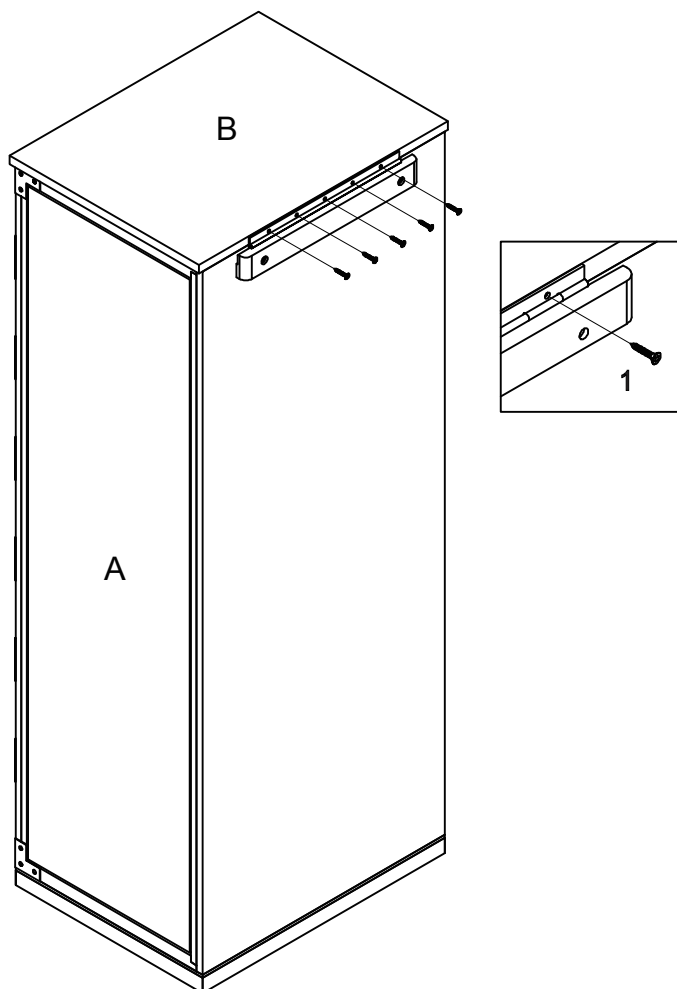
Philips screw driver

STRUCTURAL DIAGRAM:



STEP-BY-STEP ASSEMBLY:

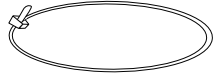
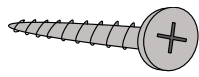
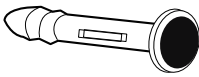
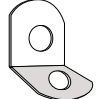

- STEP 1:** Carefully stand armoire (A) upright. Attach Top (B) to the back of Armoire (A) using 5 screws (1).

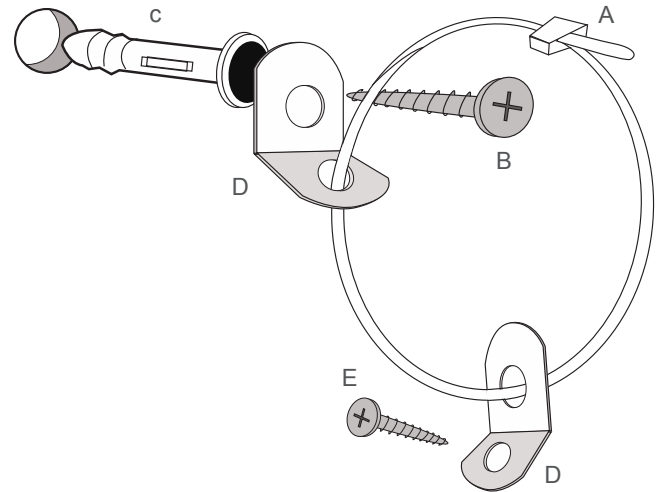


ANTI-TIP RESTRAINT ASSEMBLY INSTRUCTION

Anti-tip Restraint is REQUIRED in order to complete construction of this product. When properly installed, this hardware can provide protection against the unexpected tipping of furniture.

ANTI-TIP RESTRAINT PARTS LIST:

	Parts descriptions	Parts image	
A	Nylon strap		1PC
B	Long screw		1PC
C	Plastic screw anchor		1PC
D	Wall Brackets		2PC
E	Short screws		1PC



ASSEMBLY INSTRUCTIONS:

STEP 1: Attach one of the mounting brackets (D) and secure to the back top edge of the furniture using the short screw (E.)

STEP 2: Mark the location on the wall for mounting the second bracket (D.) Create the appropriate sized hole in the wall and insert the plastic screw anchor (C.) Secure the bracket to the wall using the long screw (B.)

STEP 3: Place the furniture so the bracket on the back edge of the unit is in the line with the bracket on the wall.

STEP 4: Lace an end of the nylon restraint strap (A) down through each bracket. Bring both ends together and slide the beaded end of the strap through the keyhole-shaped slot on the other end. Pull down on the beaded end until it snap-locks into the keyhole.

STEP 5: Check to make sure the strap is securely laced and locked to the brackets.



For assistance with assembly, please contact customer service
1-888-880-4884