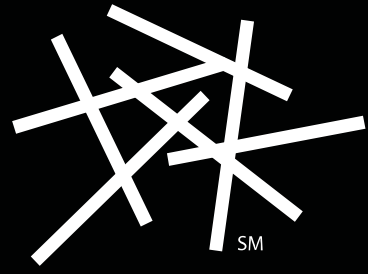
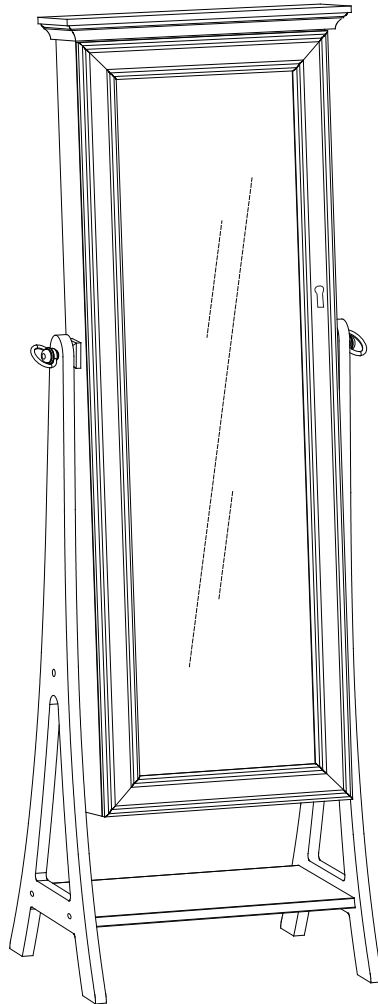


# hayneedle



ITEM NAME: Distressed Green Cheval Mirror Jewelry Armoire

SKU: EWB622-1



For assistance, please contact

Hayneedle Customer Care Center

1-888-880-48 84

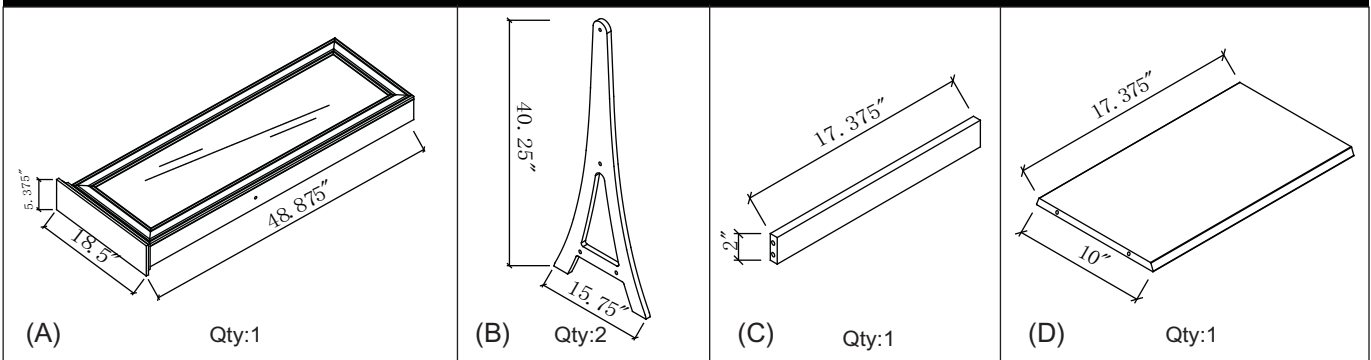
# PRE-ASSEMBLY PREPARATION:



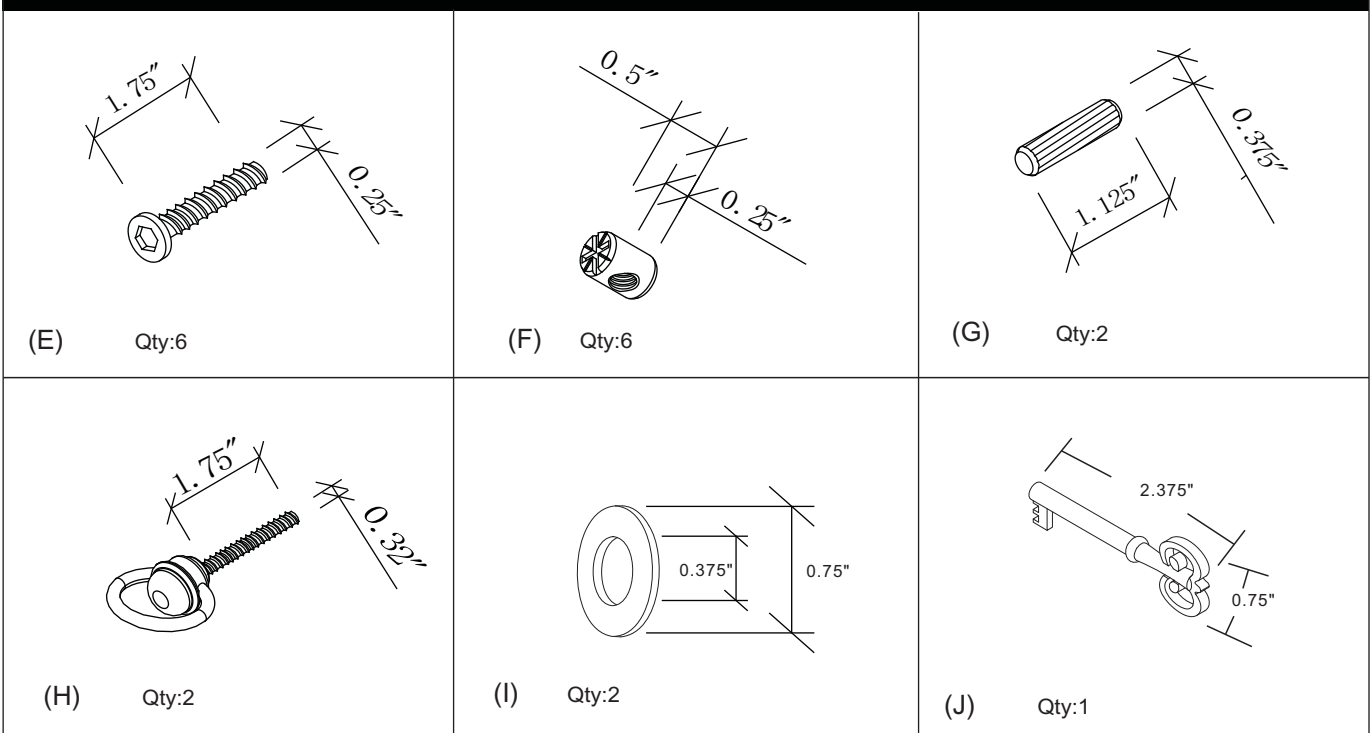
THIS PACKAGE MAY CONTAIN SMALL ITEMS WHICH SHOULD BE KEPT AWAY FROM CHILDREN

- Please check that all parts and hardware are included before beginning assembly.
- Save all packing materials until assembly is complete to avoid accidentally discarding smaller parts or hardware.
- Read through the preparation and assembly instructions in full before beginning assembly.
- Please use CAUTION AND CARE WHEN LIFTING the product to avoid personal injury and (or) damage to the product.
- The following additional tools are required for assembly: Philips screw driver [ NOT PROVIDED IN HARDWARE PACKAGE].
- For ease of assembly, two adults are recommended.

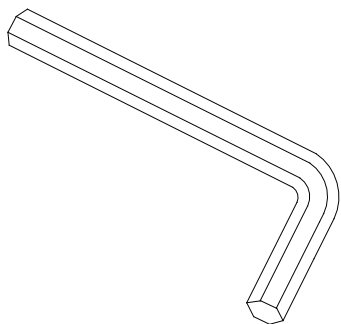
## PANEL AND FITTINGS IDENTIFICATION:



## HARDWARE LIST:

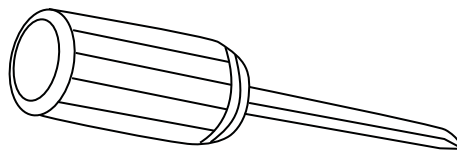


## TOOLS REQUIRED:



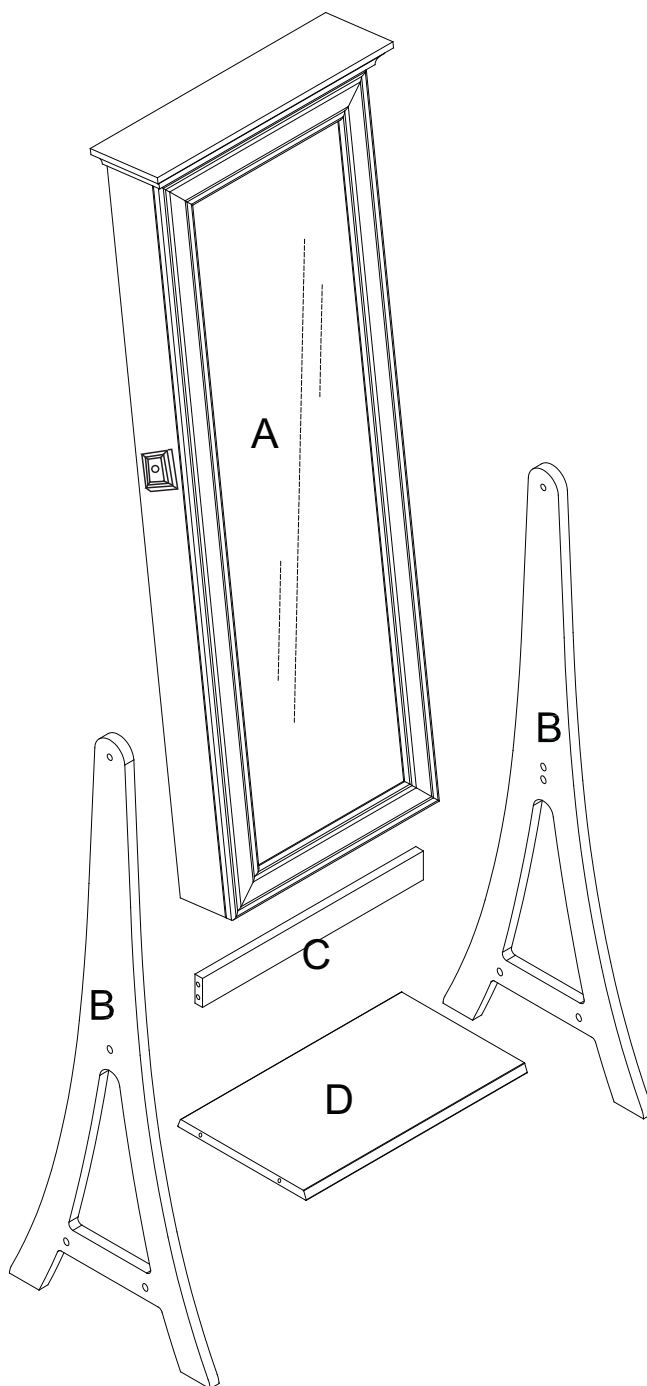
Allen wrench tool

+



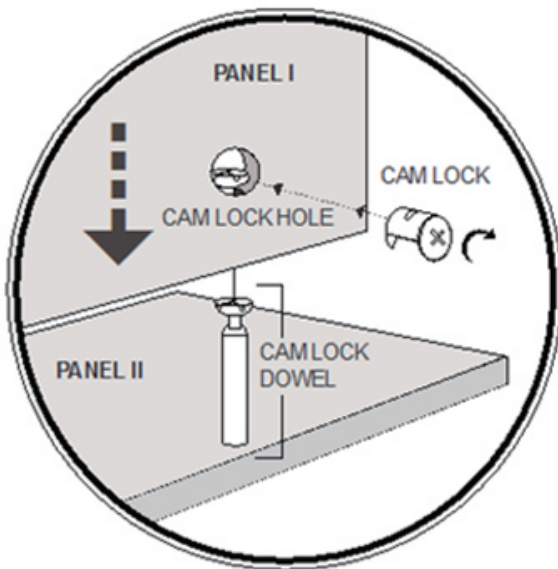
Philips screw driver

## STRUCTURAL DIAGRAM:



## CAM LOCK INSTRUCTION

This product is assembled with a cam lock set



**STEP 1:** Insert Cam Lock into the cam lock hold of Panel I. Cam lock arrow should be pointing towards the cam lock dowel insertion hole.

**STEP 2:** Insert the cam lock dowel into Panel II.

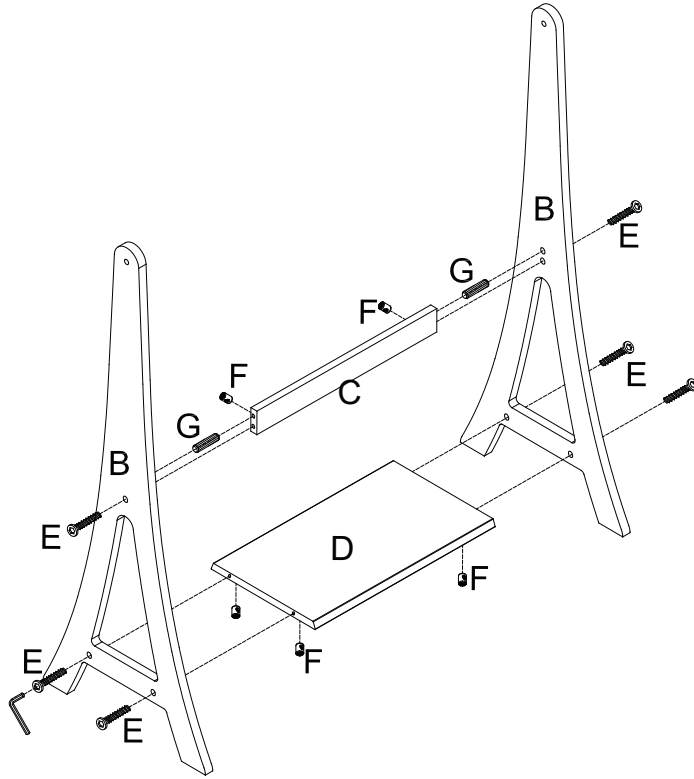
**STEP 3:** Connect Panel I and Panel II by inserting the cam lock dowel through the hole to which the cam lock arrow is pointing.

**STEP 4:** Press panel I and Panel II together.

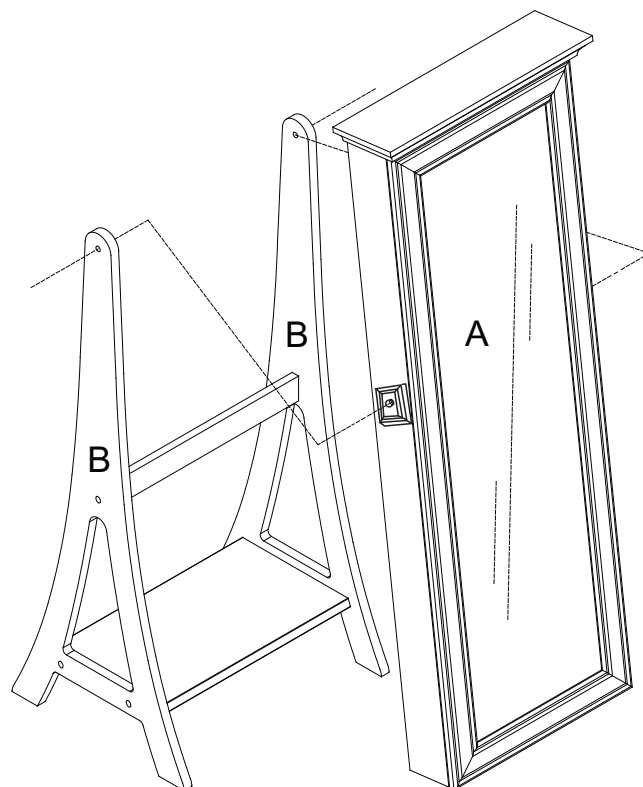
**STEP 5:** Lock panels together by turning cam lock clockwise using a screwdriver. The cam lock and dowel should make a click sound, indicating they are locked together.

## STEP BY STEP ASSEMBLY:

- STEP 1 :** Place support bar (C) into two of the recessed holes on the inside of one of the side leg (B) and attach one wood dowel (G) and the cam lock system described above (E) and (F). Place leg cross piece board (D) into two of the recessed holes on the inside of one of the side (B) and attach the cam lock system described above (E) and (F). Attach second side leg (B) in the same manner.

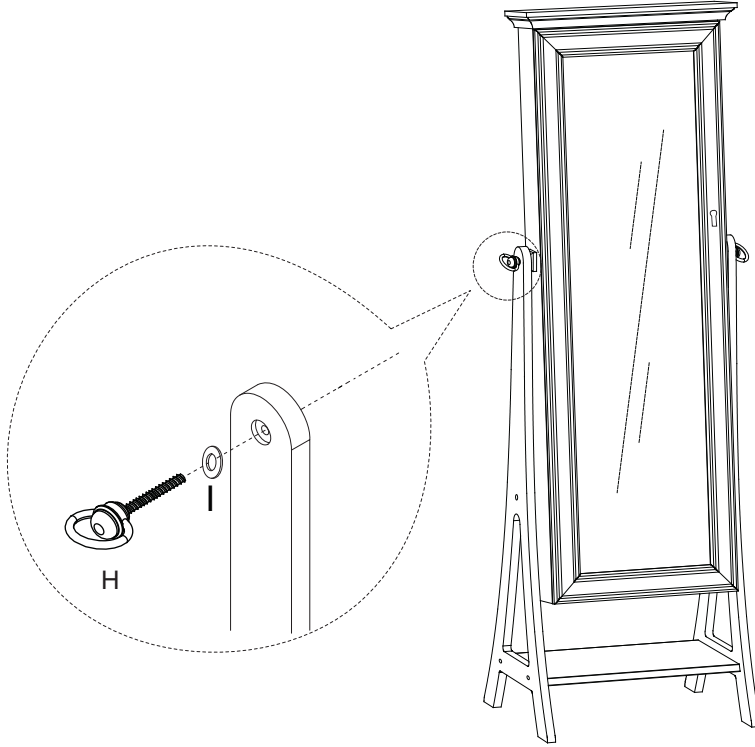


- STEP 2 :** Take the side leg stand and lay it down with the mirror cabinet (A) between the two side legs, lining up the holes at the top of the legs with the screw holes in the side of the mirror cabinet (A) so that the longer part of the photo cabinet is positioned between the side legs.

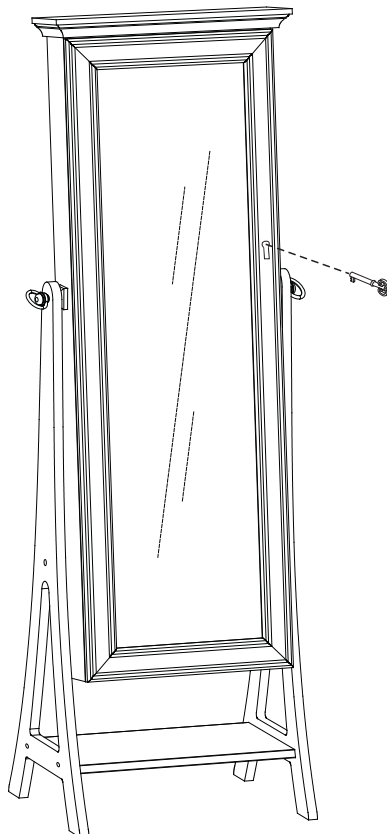


## STEP BY STEP ASSEMBLY:

- 3** STEP 3 : Take one of the loop ended screw sets (H) and the washers (I), holding so that you can push the loop ended screw through the side leg hole, the washers, and into the screw hole on the mirror cabinet (A). Screw in the loop ended screw until it is tight and washers are gently squeezed between the leg and cabinet. Attach second loop ended screw and washer set to the other side of the mirrored cabinet in the same manner.



- 4** STEP 4 : Don't forget to attach key.





For assistance with assembly, please contact customer service  
1-888-880-4884