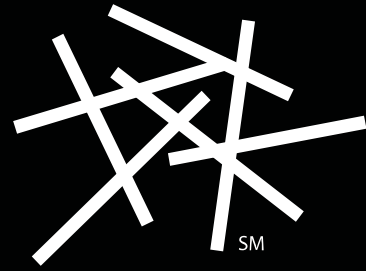
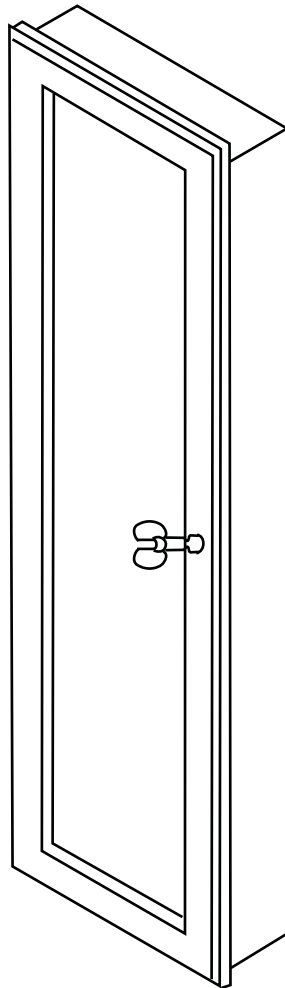


hayneedle



ITEM NAME: Wall Mounted Jewelry Armoire & Mirror

SKU: EWB074-1/EBW074-2/EBW074-3/EBW074-4/EBW074-5/EBW621-1



For assistance with assembly, please contact

Hayneedle Customer Care Center

1-888-880-4884

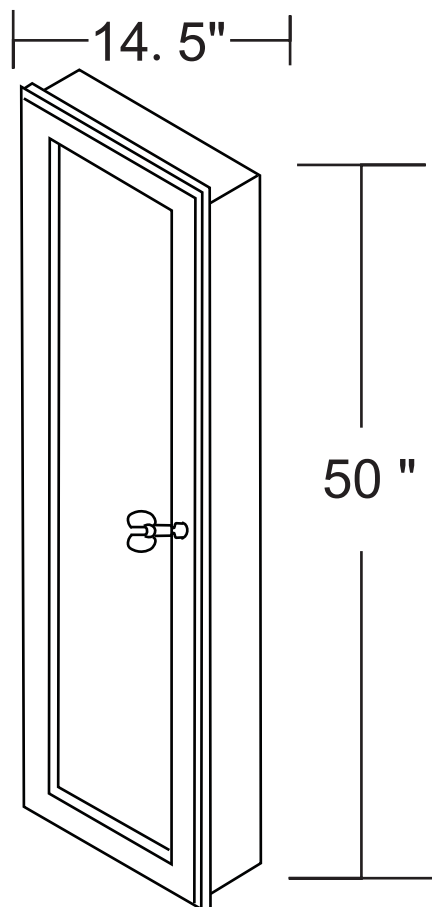
PRE-ASSEMBLY PREPARATION:



THIS PACKAGE MAY CONTAIN SMALL ITEMS WHICH SHOULD BE KEPT AWAY FROM CHILDREN

- Please check that all parts and hardware are included before beginning assembly.
- Save all packing materials until assembly is complete to avoid accidentally discarding smaller parts or hardware.
- Read through the preparation and assembly instructions in full before beginning assembly.
- Please use CAUTION AND CARE WHEN LIFTING the product to avoid personal injury and (or) damage to the product.
- The following additional tools are required for assembly: drill/ hammer/ Philips screw driver [NOT PROVIDED IN HARDWARE PACKAGE].
- For ease of assembly, two adults are recommended.

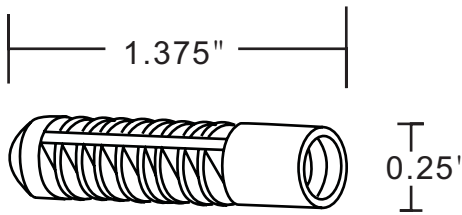
PANEL AND FITTINGS IDENTIFICATION:



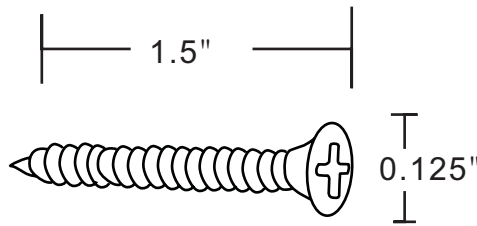
Jewelry Armoire(A)

Qty:1

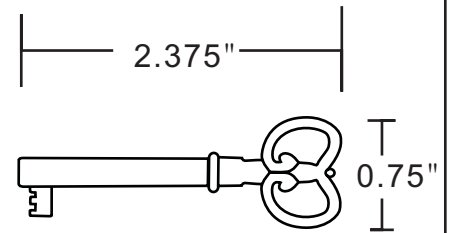
HARDWARE LIST:



Plastic plug (B) Qty:3

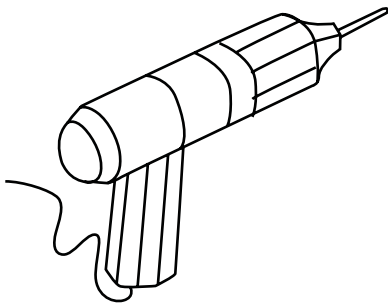


Srew (C) Qty: 3

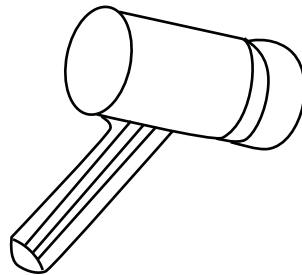


Key(D) Qty: 1

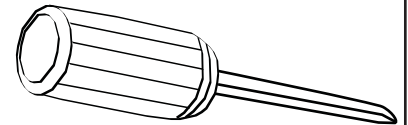
TOOLS REQUIRED:



Drill

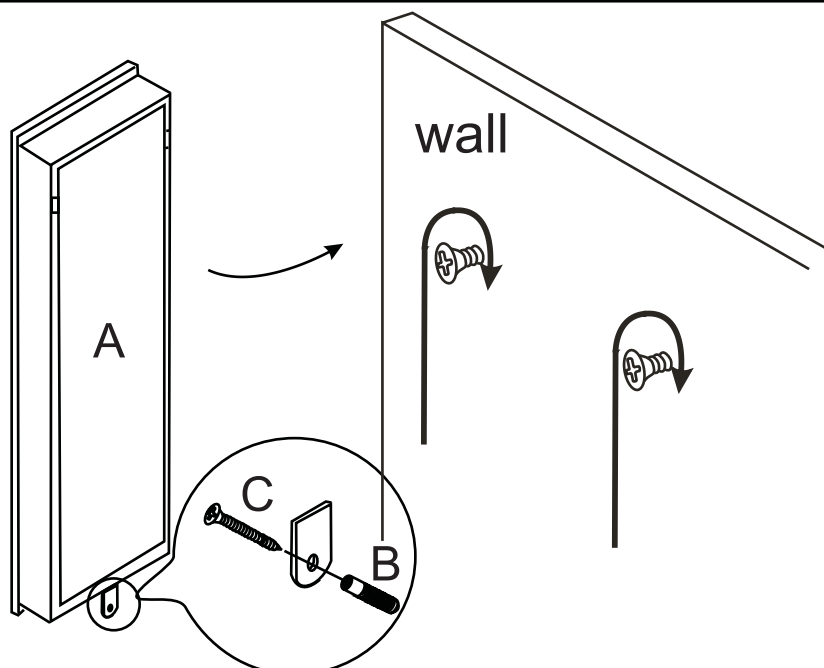


Hammer



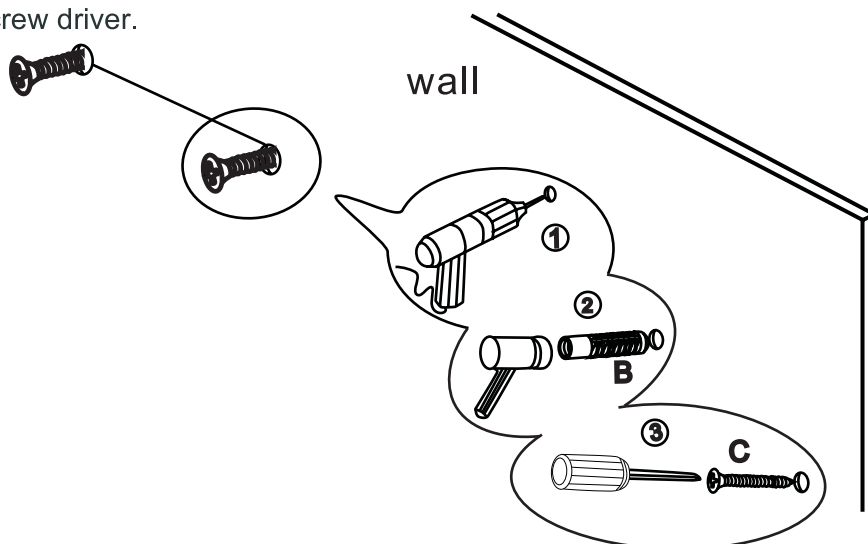
Philips screw driver

STRUCTURAL DIAGRAM:

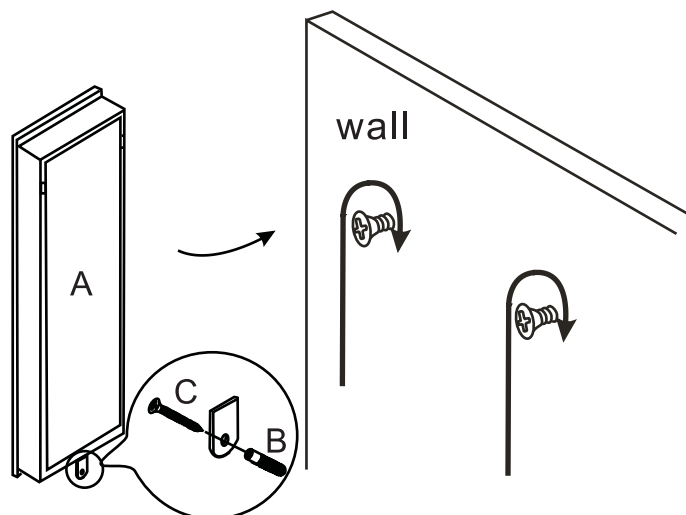


STEP-BY-STEP ASSEMBLY:

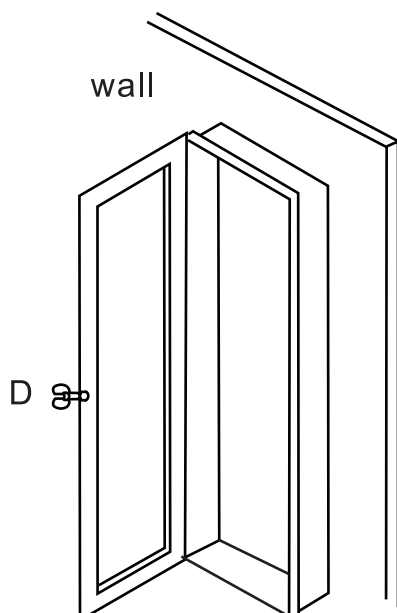
- 1 **STEP 1:** Insert the plastic plug(B) and screw(C) into the wall using the tools-drill / hammer / Philips screw driver.



- 2 **STEP 2:** Insert the screw(C) through the metal plate hole into the plastic plug(B), make the whole one fix on the wall.



- 3 **STEP 3:** Don't forget to attach key.





For assistance with assembly, please contact customer service
1-888-880-4884