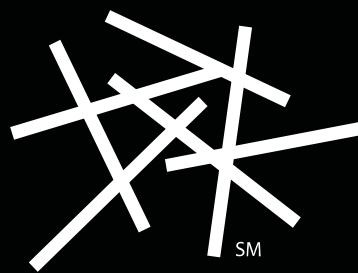
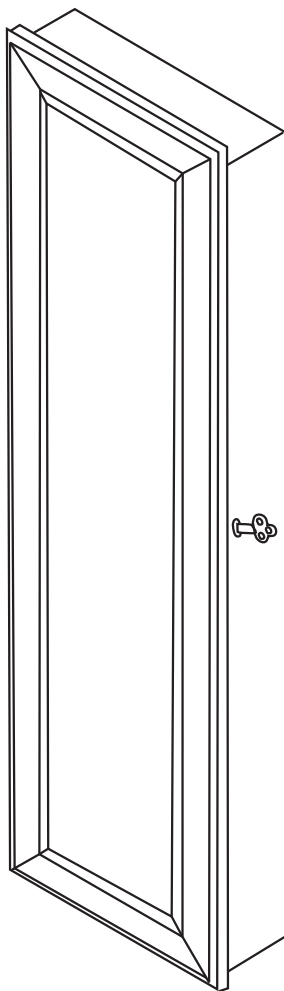


# hayneedle



**ITEM NAME:Belham Living Hollywood Mirrored Wall Hanging Jewelry Armoire**

**SKU:EWB599-1**



**For assistance with assembly, please contact**

**Hayneedle Customer Care Center**

**1-888-880-4884**

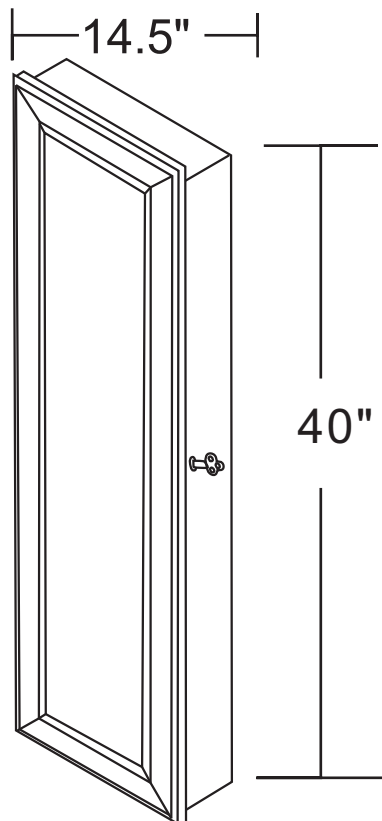
## PRE-ASSEMBLY PREPARATION:



THIS PACKAGE MAY CONTAIN SMALL ITEMS WHICH SHOULD BE KEPT AWAY FROM CHILDREN

- Please check that all parts and hardware are included before beginning assembly.
- Save all packing materials until assembly is complete to avoid accidentally discarding smaller parts or hardware.
- Read through the preparation and assembly instructions in full before beginning assembly.
- Please use CAUTION AND CARE WHEN LIFTING the product to avoid personal injury and (or) damage to the product.
- The following additional tools are required for assembly: drill/ hammer/ Philips screw driver [ NOT PROVIDED IN HARDWARE PACKAGE].
- For ease of assembly, two adults are recommended.

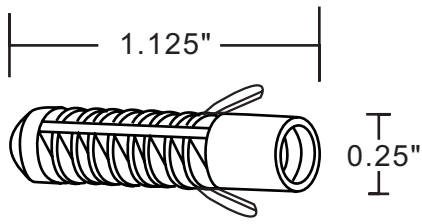
## PANEL AND FITTINGS IDENTIFICATION:



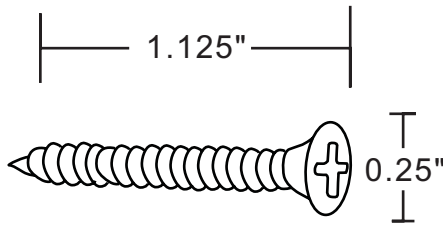
Jewelry Armoire(A)

Qty:1

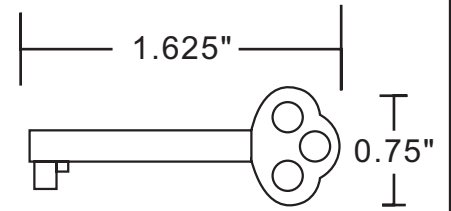
## HARDWARE LIST:



Plastic plug (B) Qty:3

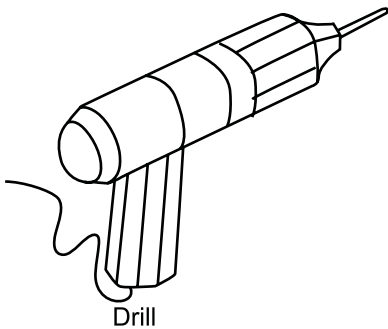


Srew (C) Qty: 3

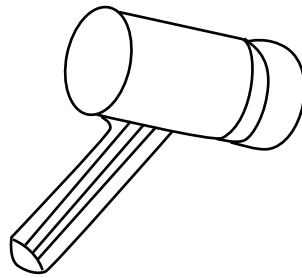


Key(D) Qty: 1

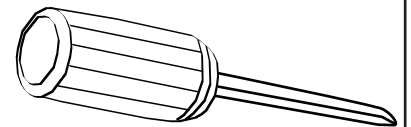
## TOOLS REQUIRED:



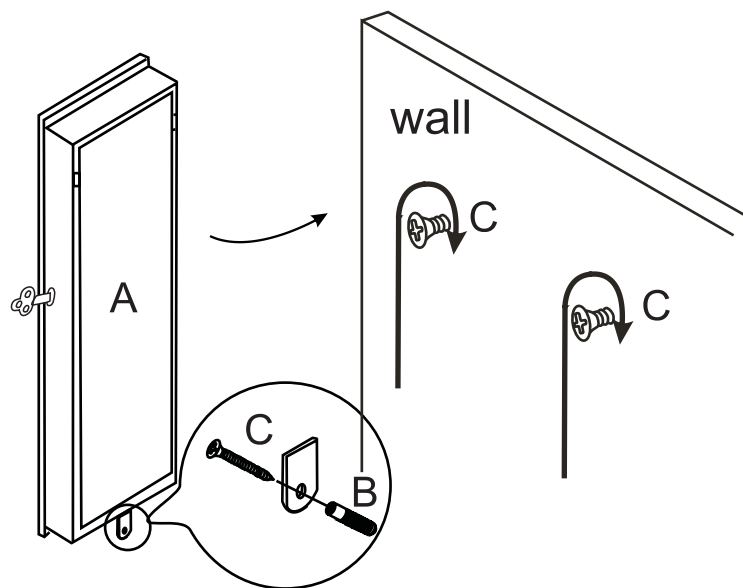
+



+

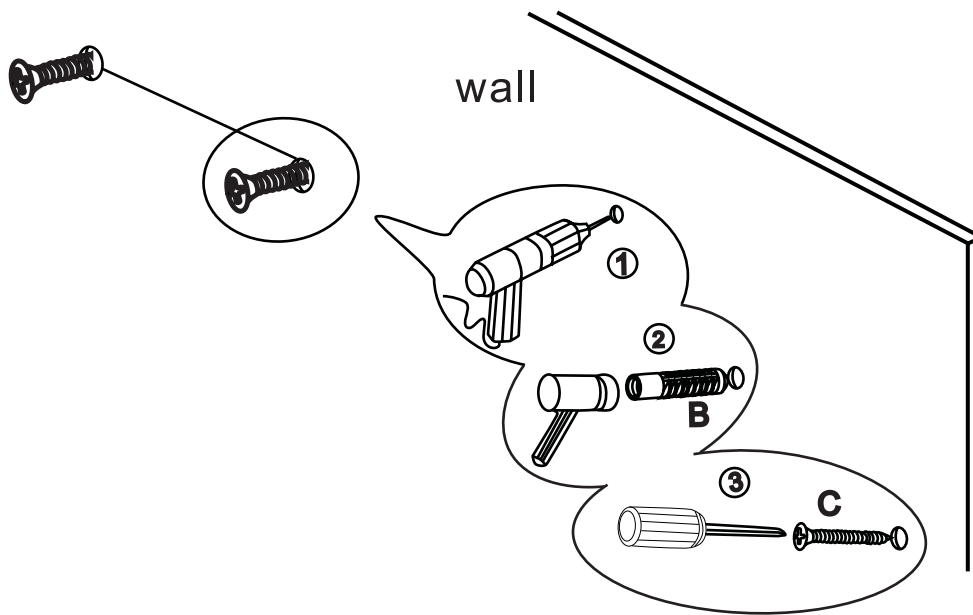


## STRUCTURAL DIAGRAM:

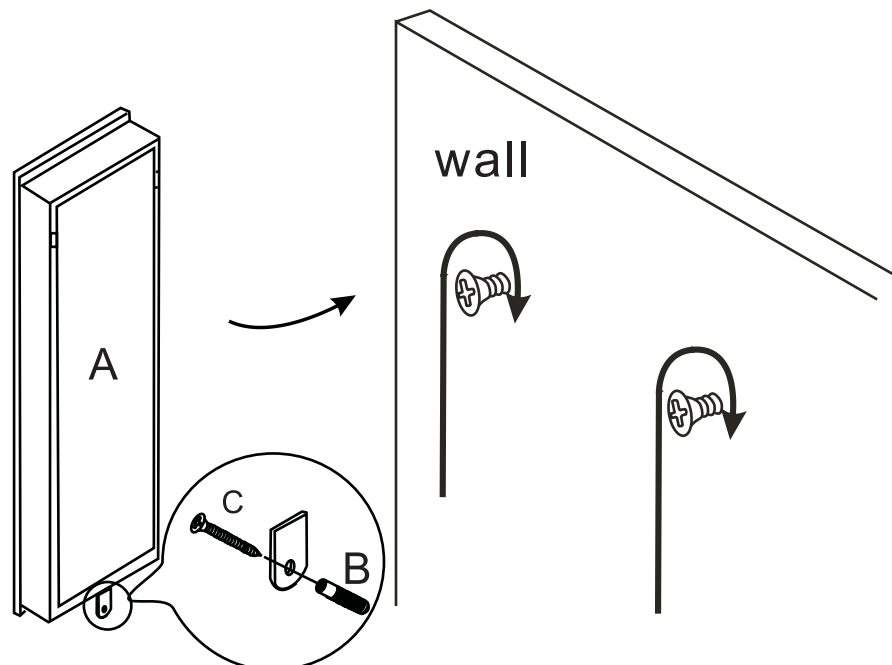


## STEP-BY-STEP ASSEMBLY:

- 1 **STEP 1:** Insert the plastic plug(B) and screw(C) into the wall using the tools-drill / hammer / Philips screw driver.



- 2 **STEP 2:** Insert the screw(C) through the metal plate hole into the plastic plug(B), make the whole one fix on the wall.





For assistance with assembly, please contact customer service  
1-888-880-4884