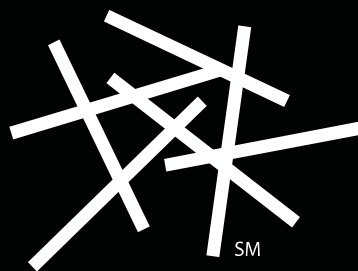
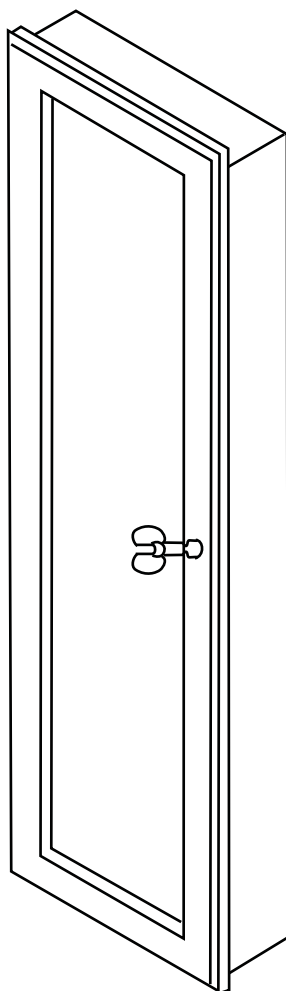


hayneedle



ITEM NAME: Wall Mounted Wooden Jewelry Armoire and Mirror with LED Lighting

SKU: EWB535-1/EWB536-1



For assistance with assembly, please contact

Hayneedle Customer Care Center

1-888-880-4884

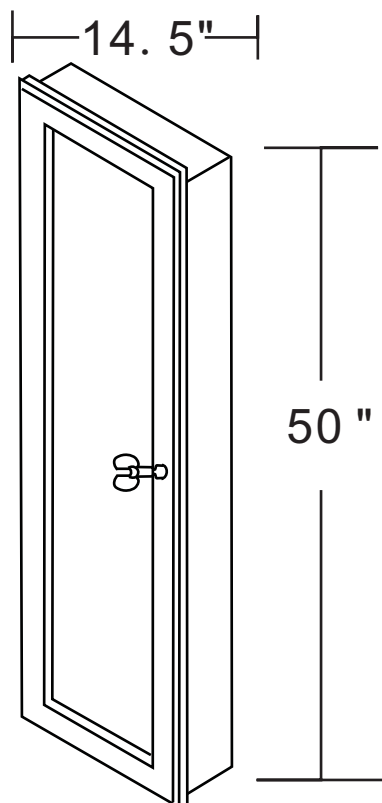
PRE-ASSEMBLY PREPARATION:



THIS PACKAGE MAY CONTAIN SMALL ITEMS WHICH SHOULD BE KEPT AWAY FROM CHILDREN

- Please check that all parts and hardware are included before beginning assembly.
- Save all packing materials until assembly is complete to avoid accidentally discarding smaller parts or hardware.
- Read through the preparation and assembly instructions in full before beginning assembly.
- Please use **CAUTION AND CARE WHEN LIFTING** the product to avoid personal injury and (or) damage to the product.
- The following additional tools are required for assembly: drill/ hammer/ Philips screw driver [NOT PROVIDED IN HARDWARE PACKAGE].
- For ease of assembly, two adults are recommended.
- Assembly time: Approximately 20 MINUTES.

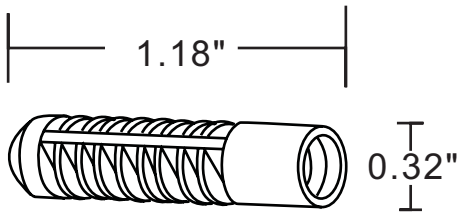
PANEL AND FITTINGS IDENTIFICATION:



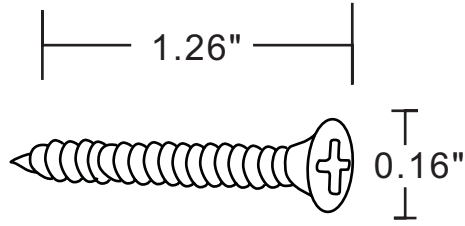
Jewelry Armoire(A)

Qty: 1

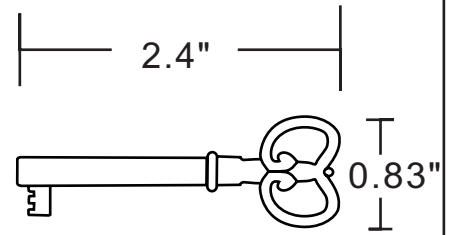
HARDWARE LIST:



Plastic plug (B) Qty:3

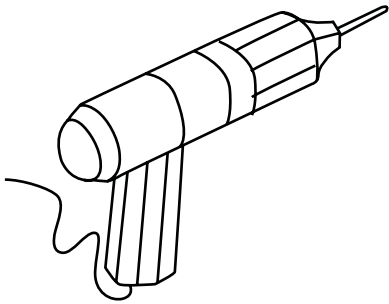


Srew (C) Qty: 3

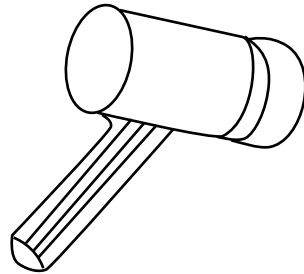


Key(D) Qty: 1

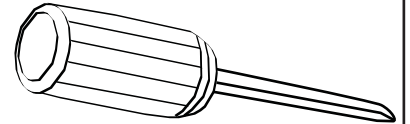
TOOLS REQUIRED:



Drill

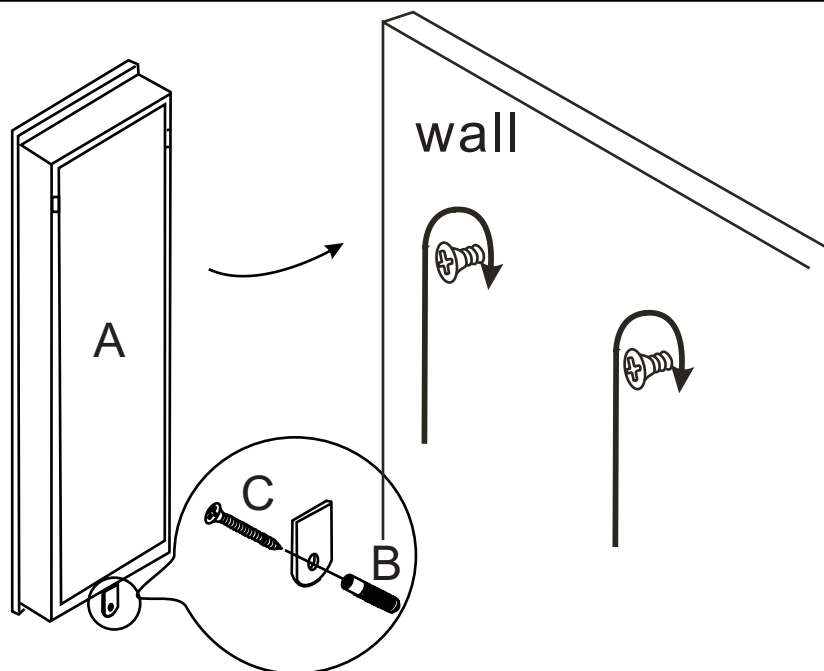


Hammer



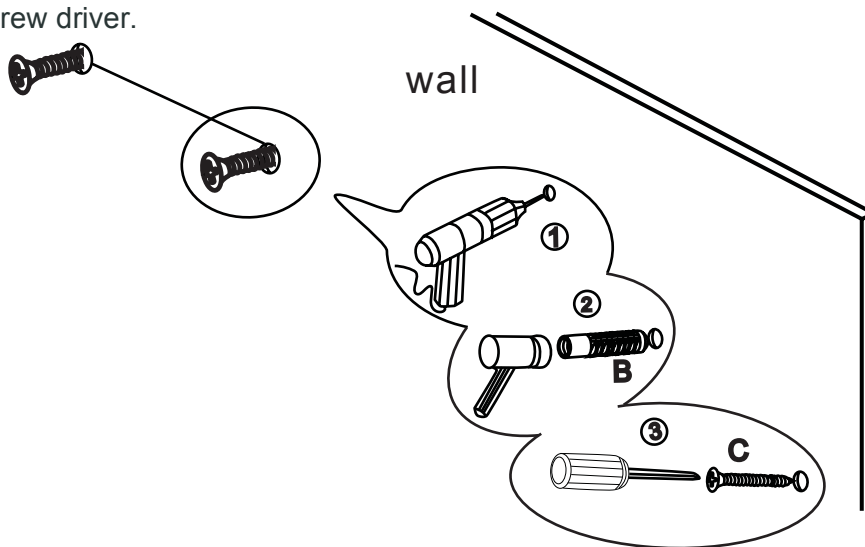
Philips screw driver

STRUCTURAL DIAGRAM:

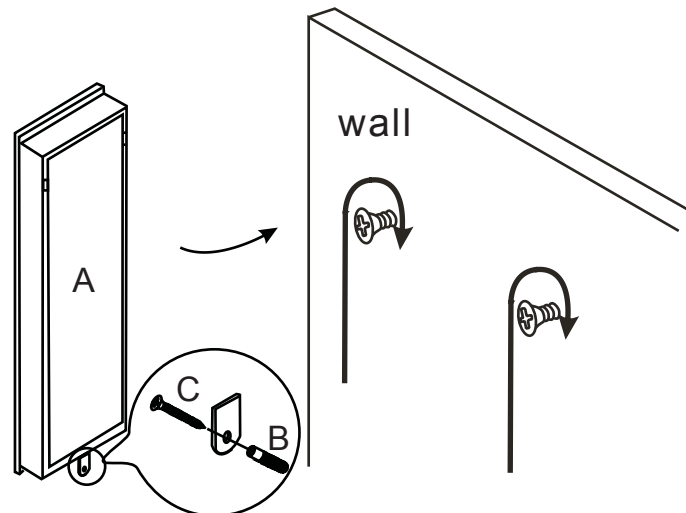


STEP-BY-STEP ASSEMBLY:

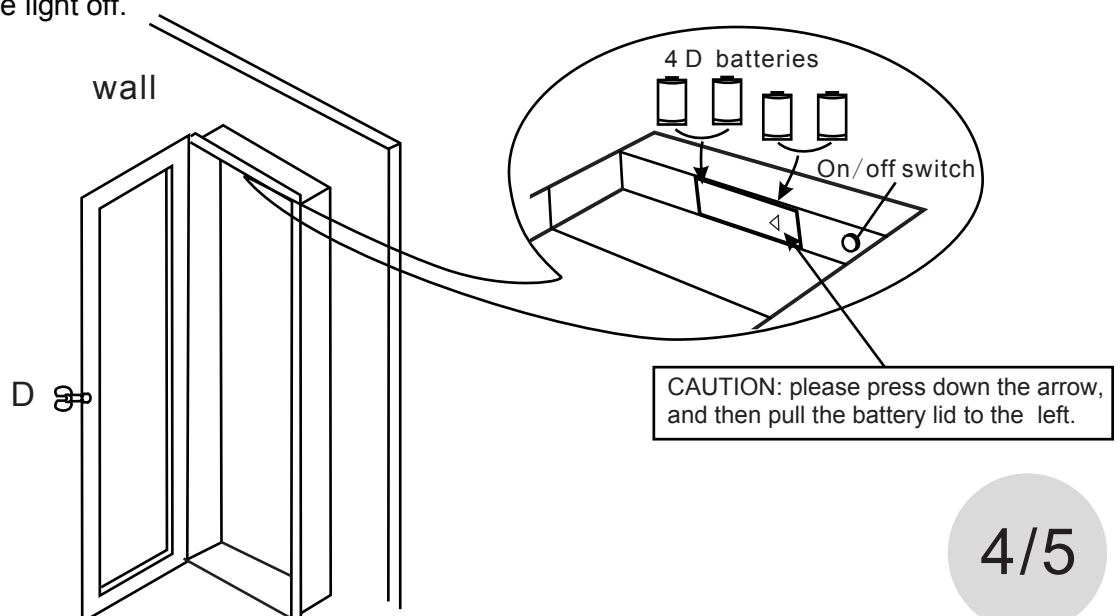
- 1 **STEP 1 :** Insert the plastic plug(B) and screw(C) into the wall using the tools-drill / hammer / Philips screw driver.



- 2 **STEP 2 :** Insert the screw(C) through the metal plate hole into the plastic plug(B), make the whole one fix on the wall.



- 3 **STEP 3:** There are 6 LED lights on the top inside, they are battery-operated, 4 D batteries is required (not included). The lights are controlled by the magnetic sensor, when the door opens the lights turn on, and when the door closes the lights turn off. Also there is a manual on/off switch on top inside for your option to turn the light off.





For assistance with assembly, please contact customer service
1-888-880-4884