



## Assembly Instructions

**Item Number:** EWB449-1 / 450-1 / 451-1

**Product Name:** Photo Frames Jewelry Armoire Cheval Mirror

### **Pre-assembly Preparation:**

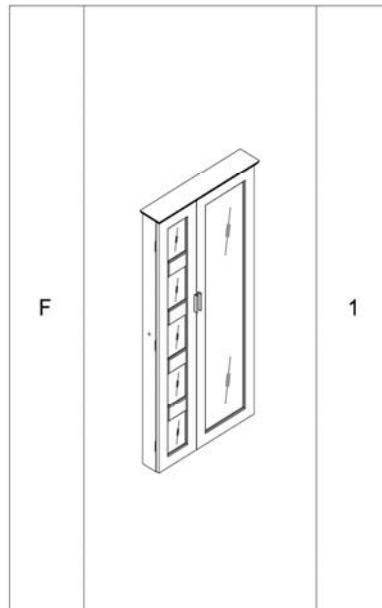
Thanks you for purchasing a Hayneedle product. Before you begin assembly:

- Verify that all of the required parts have been included in the carton. The contents included in a box of your new product are listed below.
- Clear an area of assembly as you unpack the carton. The parts should be placed on a carpeted or padded area to protect your product and the floor from damage.
- Read the Assembly Instruction in full before you begin to assemble.
- Please use CAUTION AND CARE WHEN LIFTING the product to avoid personal injury and/or damage to the product.
- TWO-person assembly is recommended.
- The hardware packet contains SMALL ITEMS which should be KEPT AWAY FROM CHILDREN.
- Need assistance assembling our product need parts

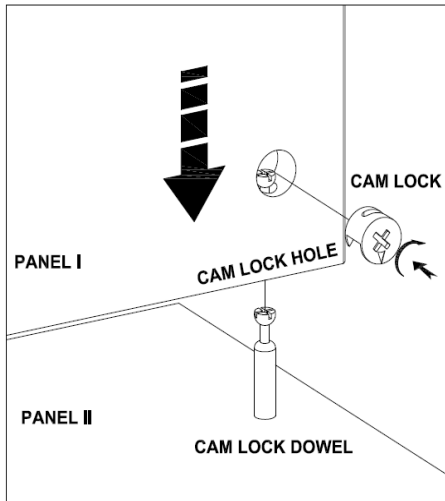
Call our Customer Service Department at 1-800-632-4901

### **Panel and Fittings Identification:**

	PART	Q'TY
A		1
B		1
C		1
D		1
E		1



1		2
2		6
3		6
4		1
5		2
6		2
7		2
8		2



This product is assembled using cam locks.

Step 1: Insert Cam Lock into the Cam Lock Hole of Panel I. Cam Lock arrow should be pointing towards the Cam Lock Dowel insertion hole.

Step 2: Insert wooden dowel into Panel II

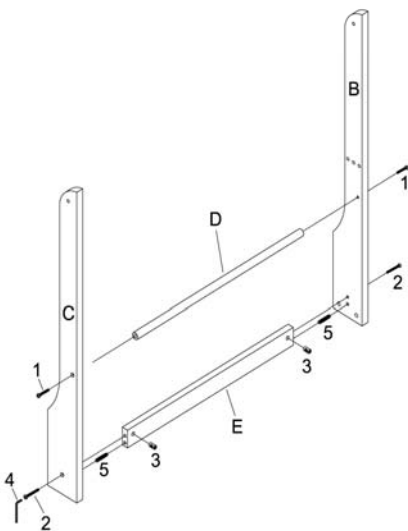
Step 3: Connect Panel I and Panel II by inserting the Cam Lock Dowel through the hole to which the Cam Lock arrow is pointing.

Step 4: Press Panel I and Panel II together

Step 5: Lock Panels together by turning Cam Lock Clockwise using a screwdriver. The Cam Lock and Dowel should make a click sound, indicating they are locked together.

### Step By Step Assembly Instructions:

#### STEP 1



Attach the bottom support (Part E) to the arm (Part B) using the cam lock system. Insert the cam lock (Part 3) into the hole of Part E as pictured. Make sure the small arrow on the cam lock is pointing toward the opening at the side of Part E.

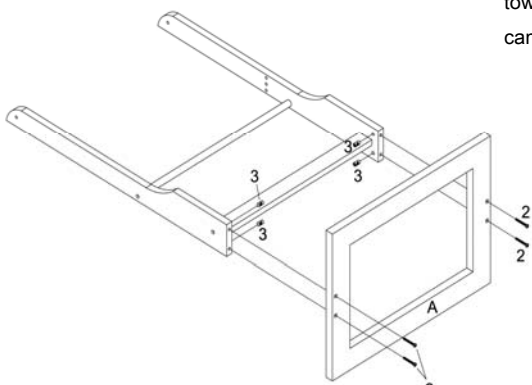
Insert the wooden dowel (Part 5) into Part E.

Connect the Part E to Part B by aligning the wooden dowel (Part 5) with the opening on Part B.

Insert the screw (Part 2) through Part B.

While holding the cam lock in place (arrow pointing to the side opening) with a Phillips screw driver, tighten Screw 2 using the Allen Wrench provided (Part 4).

#### STEP 2

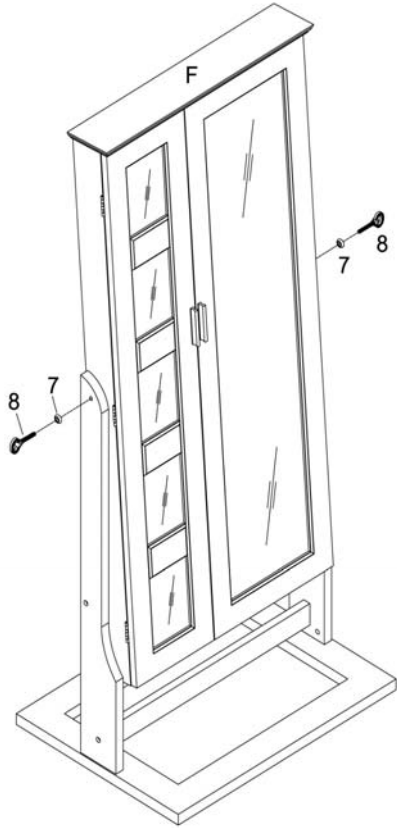


Attach the floor support (Part A) using the cam locks Part 3, and Screws Part 2. Remember to keep the arrow on the cam lock pointed outward toward the hole where the screw – part 2 will enter and connect to the cam lock. Keep the cam lock in place as you screw Part 2.

### STEP 3

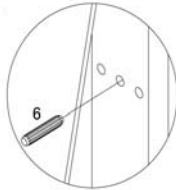
Have your assembly partner hold the armoire (part F) in place as you connect the arms (Parts B and C) to the body of the armoire (Part F).

Using the decorative Screw (part 8) and the

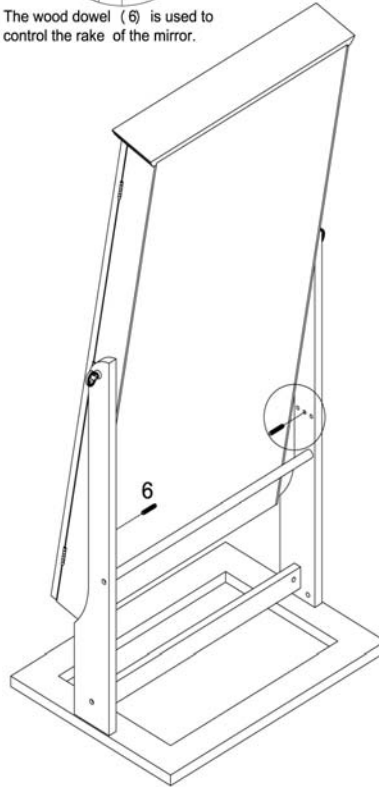


### STEP 4

Stabilize the armoire body by inserting the wooden dowel (Part 6) into the position of your choice.



The wood dowel (6) is used to control the rake of the mirror.



### FINISH

