

Assembly Instructions

1

DO NOT RETURN PRODUCT TO STORE.

For assistance call **1.800.762.1142** toll free. Please have your owner's manual and model number available for reference.

For Easiest Assembly:

- To avoid losing any small components or hardware, assemble your product on a hard level surface that does not have cracks or openings.
- Clear an area large enough to layout all components and hardware.
- When applicable, tighten all hardware connections by hand first. Once the step is completed go back and fully tighten all hardware.
- Follow all steps in order to properly assemble your product.

To complete assembly you will need:

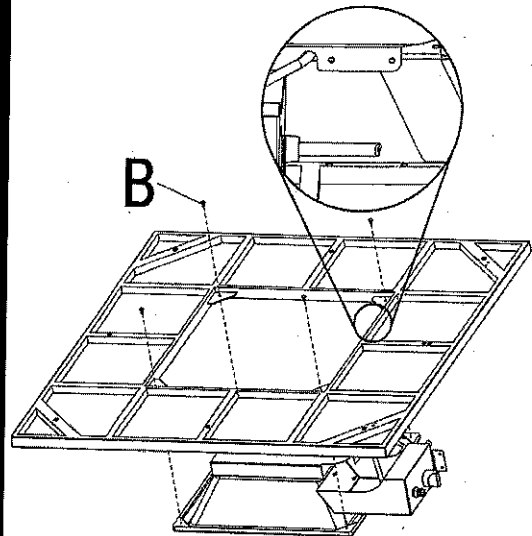
- (1) Leak Detection Solution (Instructions on how to make solution are included in the "Operating Instructions" section of this manual)
- (1) Precision Filled LP Gas Grill Tank with Acme Type 1 external threaded valve connection (4-5 gallon size)

Typical assembly: approximately 1 (one) hour.

2

Attach Bowl Assembly

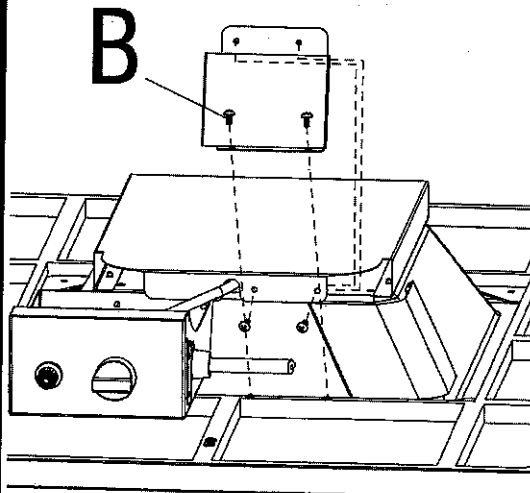
Note: The control panel must line up with the two holes on the mantel frame.



B  x4

3

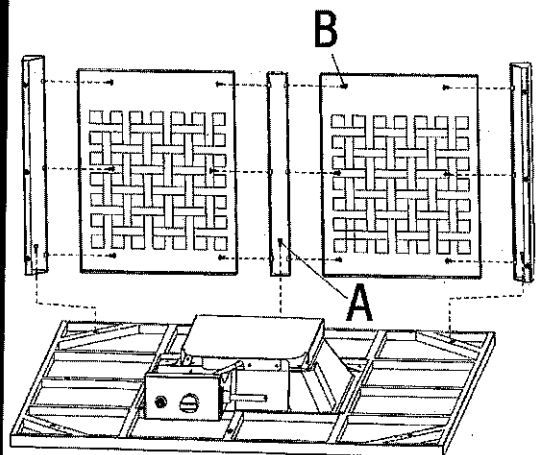
Attach LP Gas Tank Shield



B  x4

4

Attach Side Panels, Back Legs and Middle Support Leg



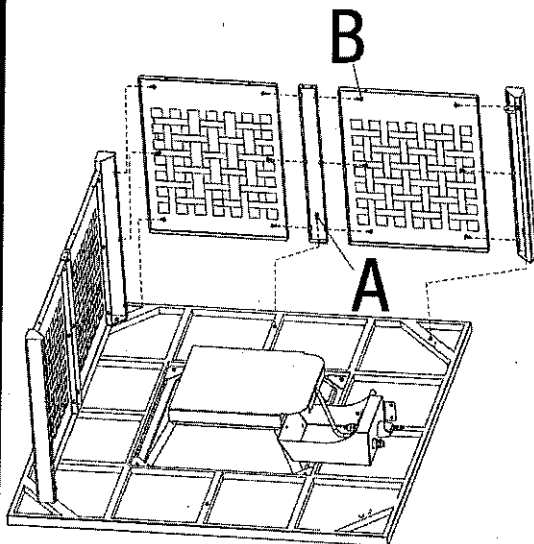
A  x3

B  x12

Assembly Instructions (continued)

5

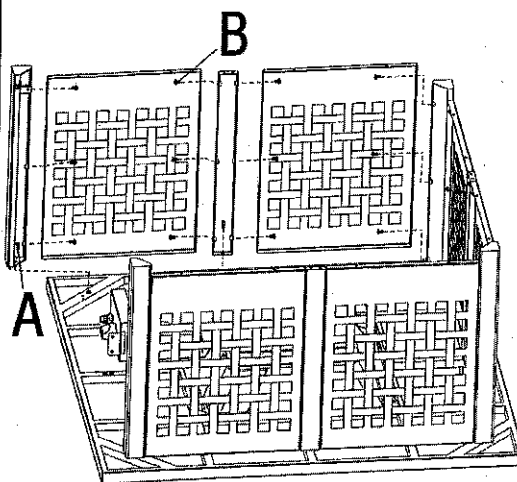
Attach Side Panels, Left Front Leg and Middle Support Leg



A  x2 B  x12

6

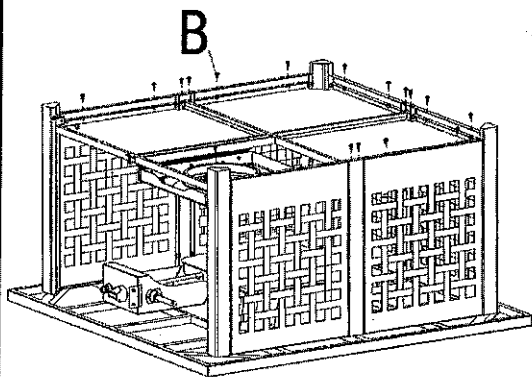
Attach Side Panels, Right Front Leg and Middle Support Leg



A  x2 B  x12

7

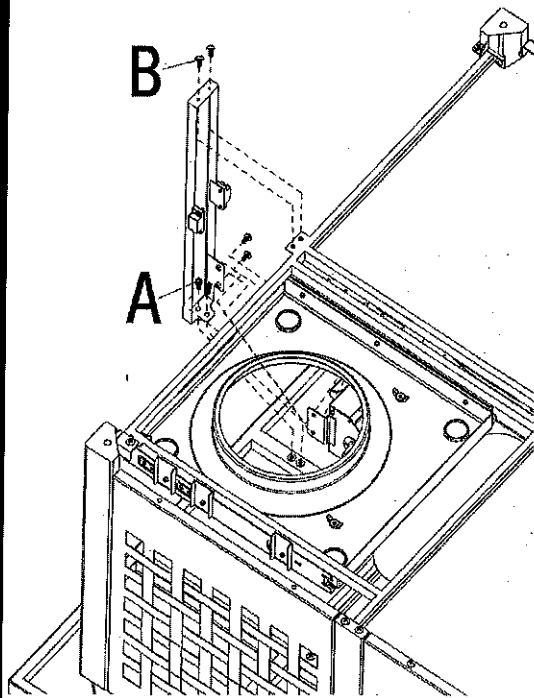
Attach Base



B  x18

8

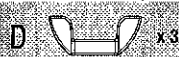
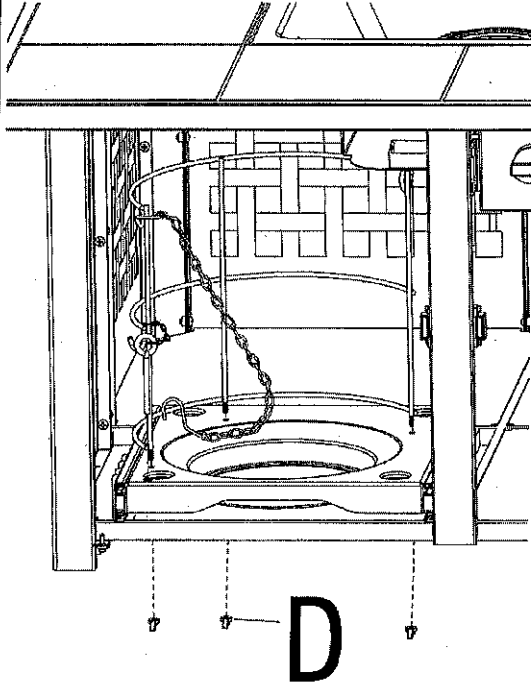
Attach Door Support Leg



A  x2 B  x4

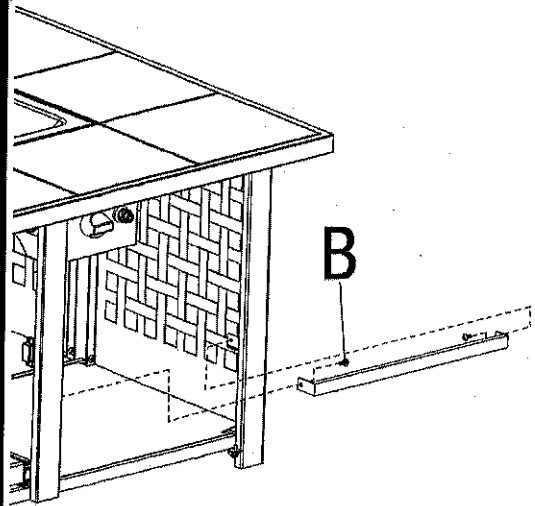
9

Attach Tank Guard



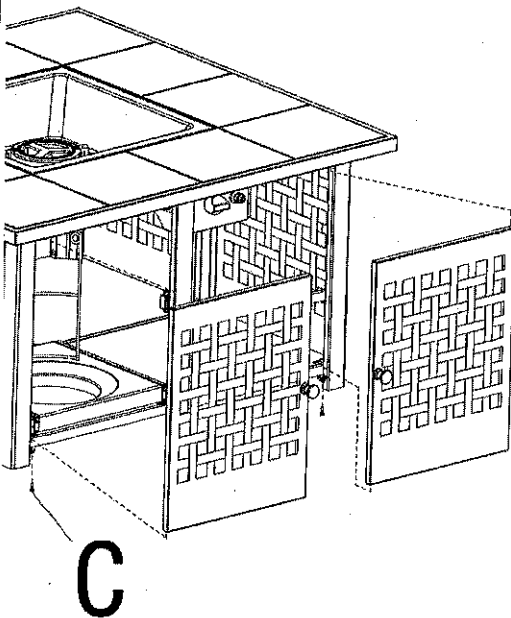
10

Attach Base Support Bar



11

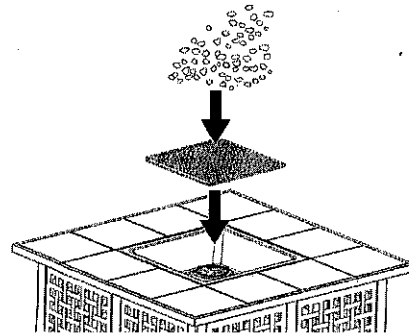
Attach Doors



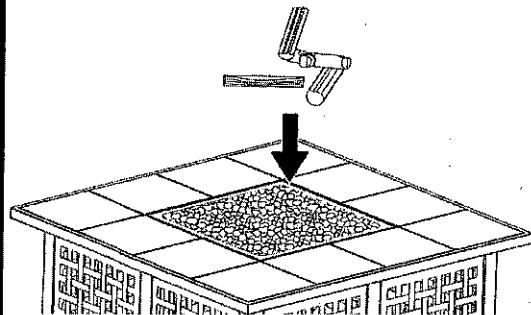
12

Place Wood Grid and Lava Rocks

Do NOT dump lava rocks out of package. Carefully place lava rocks by hand so dust does not clog burner.



Place Cement Logs

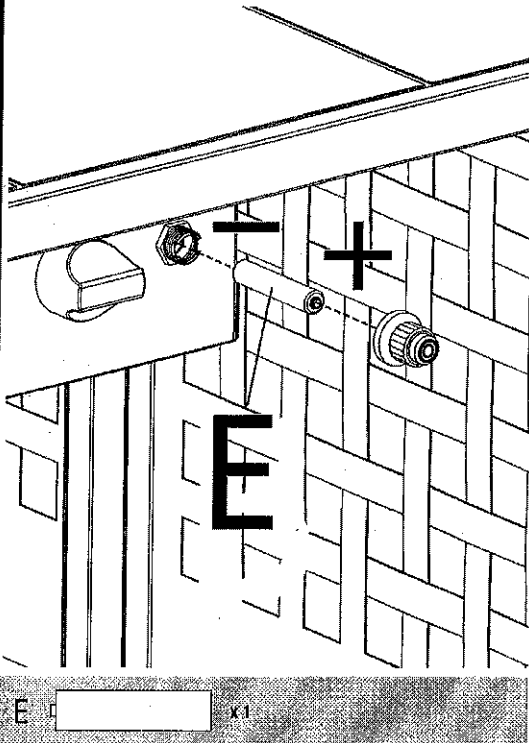


Assembly Instructions (continued)

13

Insert Battery

Note: Remove plastic wrapper before installing battery.

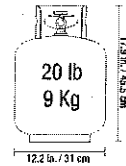


Installing LP Gas Tank

To operate you will need (1) precision-filled standard grill LP gas tank (20#) with external valve threads.

Note: An empty standard grill LP gas tank weighs approximately 18 lbs. A precision-filled standard grill LP gas tank should weigh no more than 38 lbs.

▲ Caution: LP gas tank must be properly disconnected and removed prior to moving this grill.

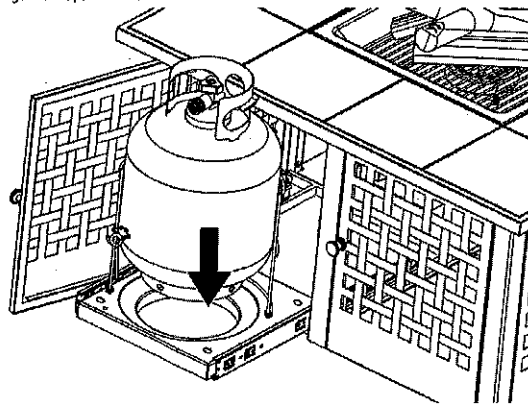


Need a tank of gas? Try tank exchange service. It's easy, fast, safe, and available at tens of thousands of conveniently located retail outlets nationwide. You can purchase a new full tank or exchange your empty for a precision filled one.

Insert LP Gas Tank

▲ WARNING: Make sure LP gas tank valve is closed. Close by turning valve clockwise.

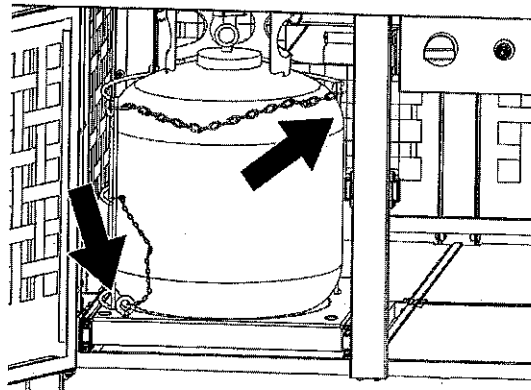
Place precision filled LP gas tank upright into hole in the base of the outdoor fireplace so it is arranged for vapor withdrawal.



Secure LP Gas Tank

Secure tank by sliding tank retainer chain around the LP gas tank and insert peg into LP gas tank tray.

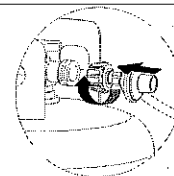
Note: Peg must be inserted into LP gas tank when tank is in LP gas tank tray.



Connect LP Gas Tank

Before connecting, be sure that there is no debris caught in the head of the LP gas tank, head of the regulator valve or in the head of the burner and burner ports.

Connect regulator/hose assembly to tank by turning knob clockwise until it stops.



Disconnect LP Gas Tank

Before disconnecting make sure the LP gas tank valve is "CLOSED".

Disconnect regulator/hose assembly from LP gas tank by turning knob counterclockwise until it is loose.

▲ Caution: LP gas tank must be properly disconnected and removed prior to moving this grill.

