

# ASSEMBLY INSTRUCTION

---

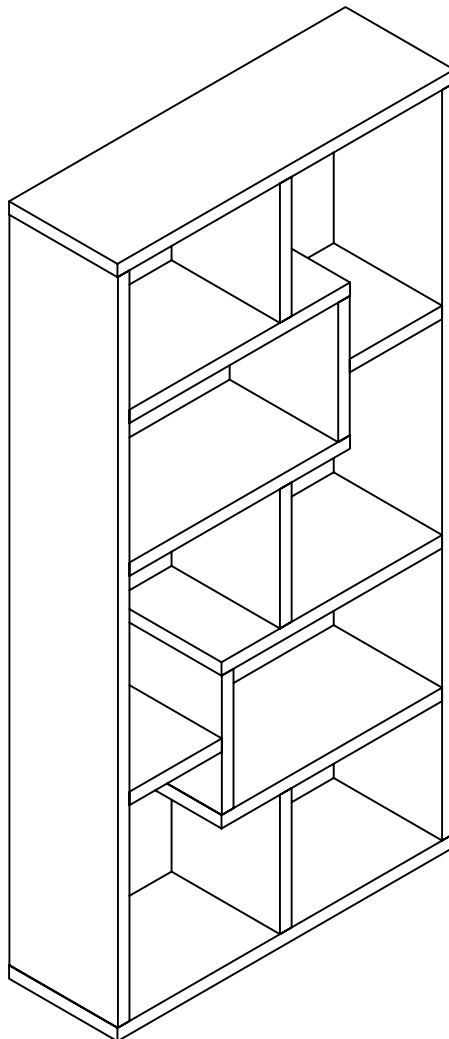
## **PLEASE READ BEFORE ASSEMBLING!**

Tip #1: Make sure you've taken all the pieces and hardware out of its packaging before discarding the box.

Tip #2: Using page 2 and/or page 3 of instruction manual make sure all pieces and hardware are accounted for.

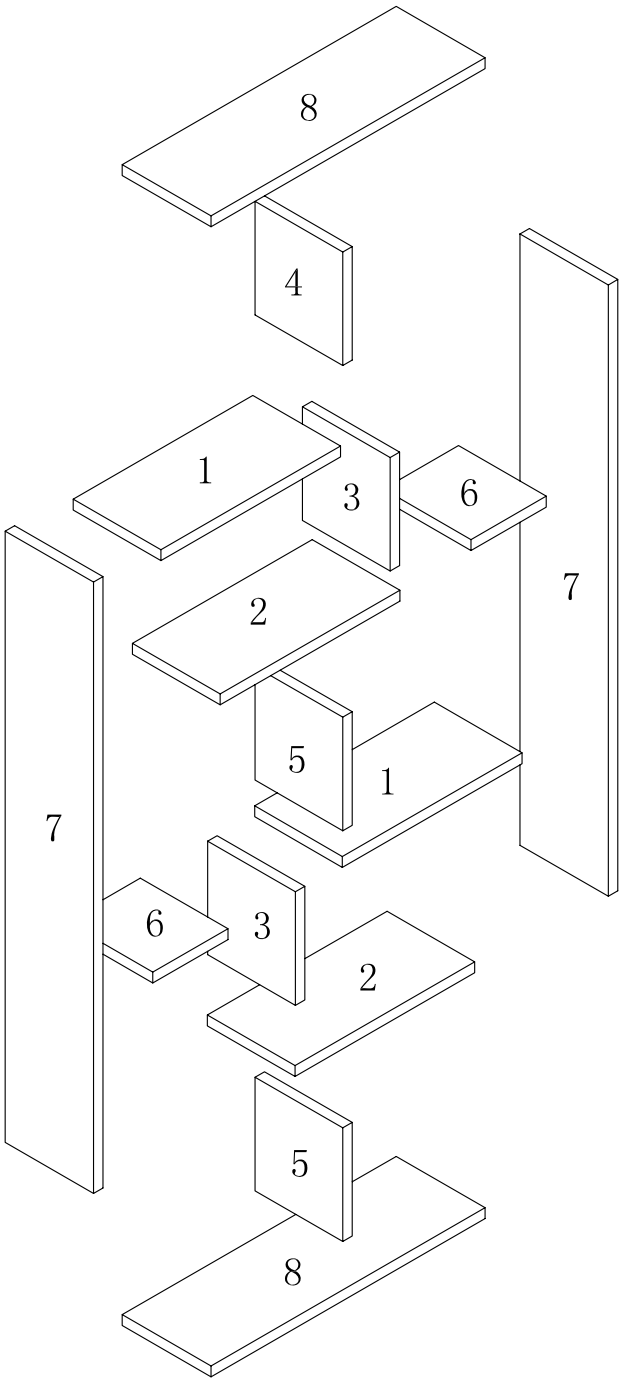
Tip #3: Read manual before assembling, it helps!

ITEM#: 27090



# PARTS IDENTIFICATION



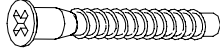
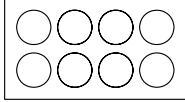
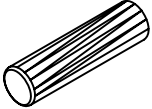

ITEM#: 27090



(1)	2pcs	(5)	2pcs
(2)	2pcs	(6)	2pcs
(3)	2pcs	(7)	2pcs
(4)	1pc	(8)	2pcs

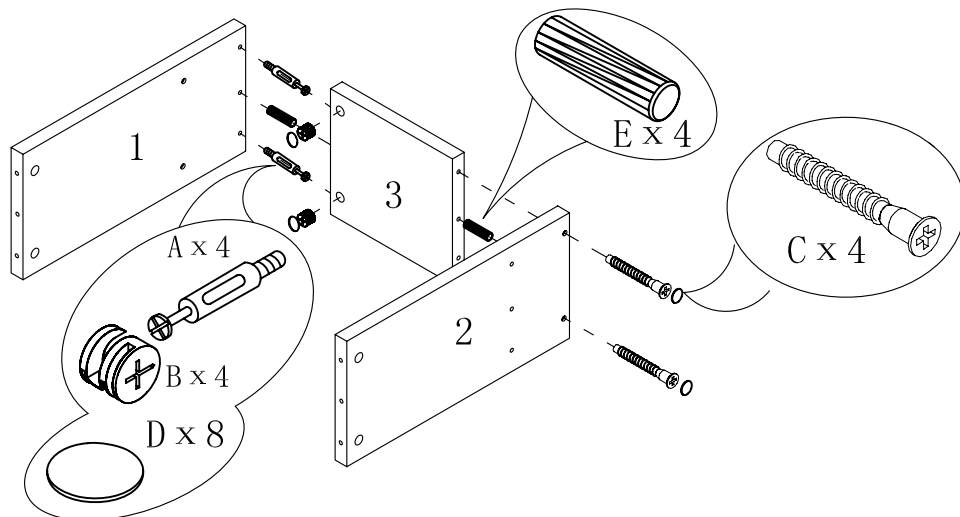
# HARDWARE IDENTIFICATION

ITEM#: 27090

A		L29	24pcs
B		$\phi 15$	24pcs
C		$\phi 7 \times 58$	20pcs
D		$\phi 18$	44pcs
E		$\phi 8 \times 25$	22pcs
F		It's used for stick the stopper to the connecting hole firmly	1pc

# ASSEMBLY INSTRUCTION

ITEM#: 27090

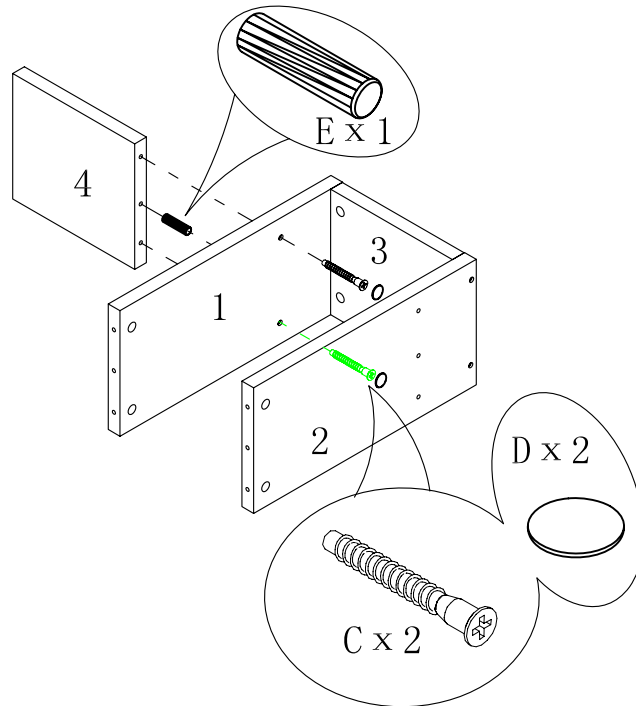


STEP1

PAGE: 3 OF 6

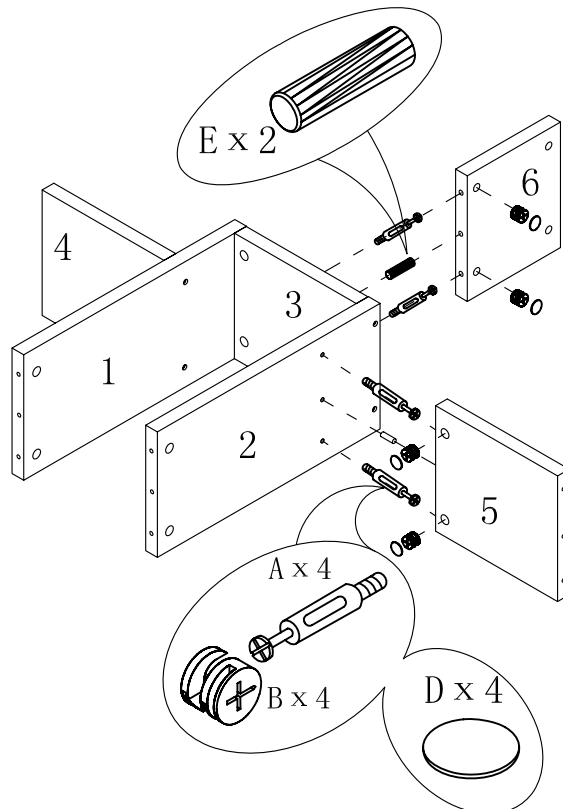
# ASSEMBLY INSTRUCTION

ITEM#: 27090



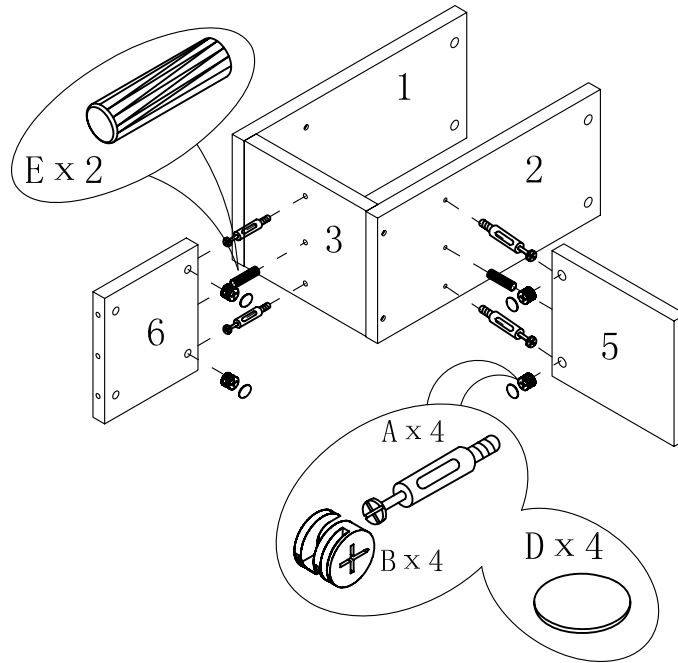
STEP2

STEP3



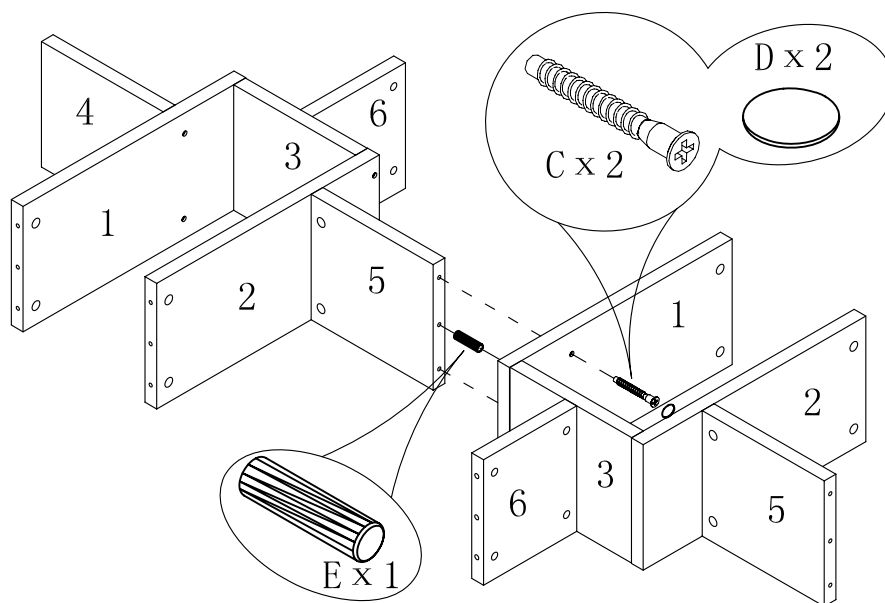
# ASSEMBLY INSTRUCTION

ITEM#: 27090



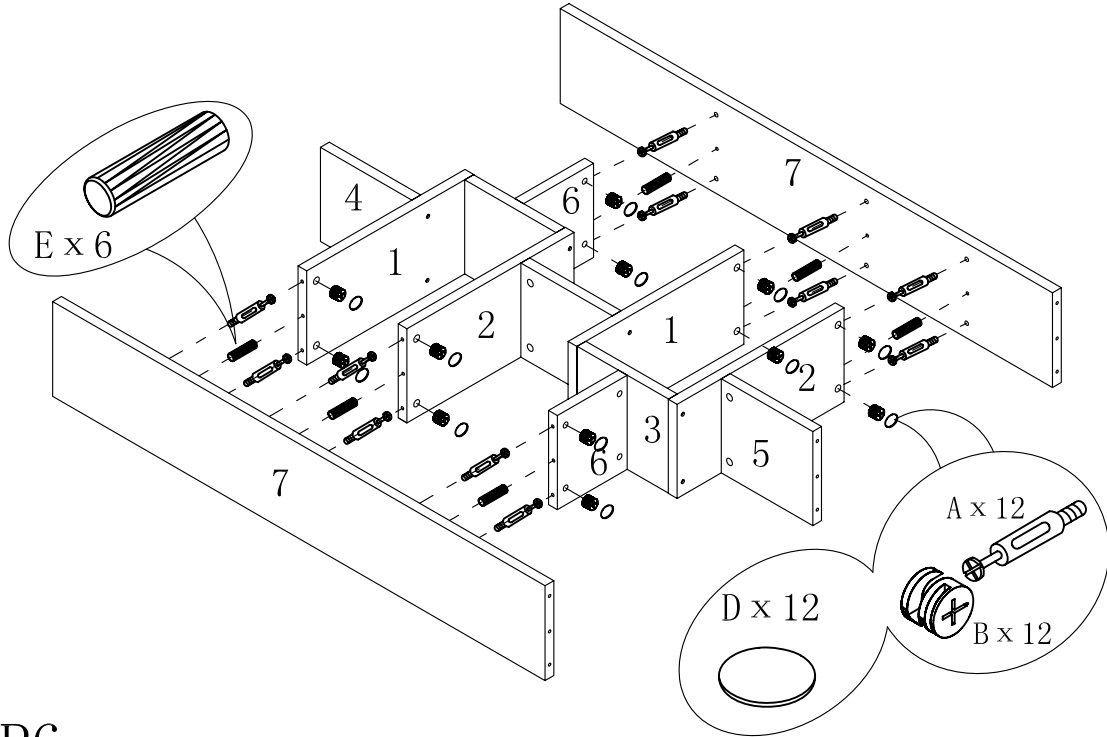
STEP 4

STEP 5



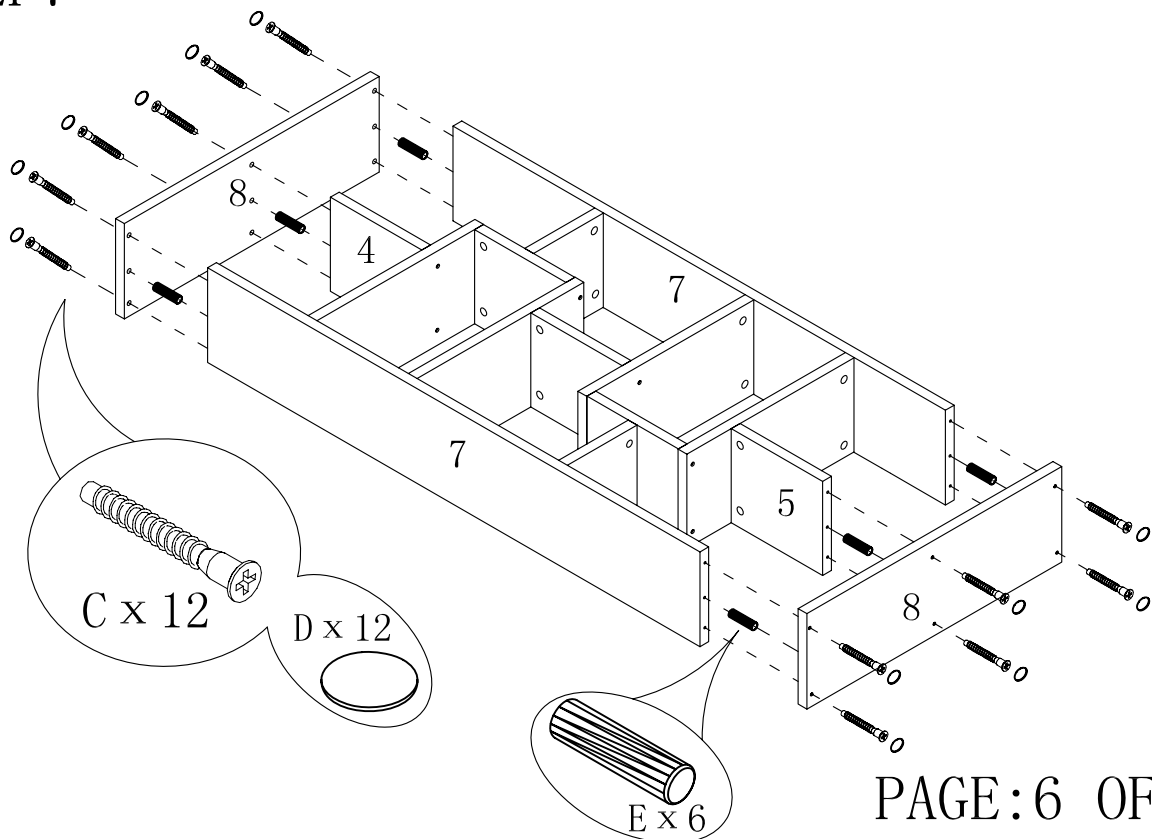
# ASSEMBLY INSTRUCTION

ITEM#: 27090



STEP 6

STEP 7



PAGE: 6 OF 6