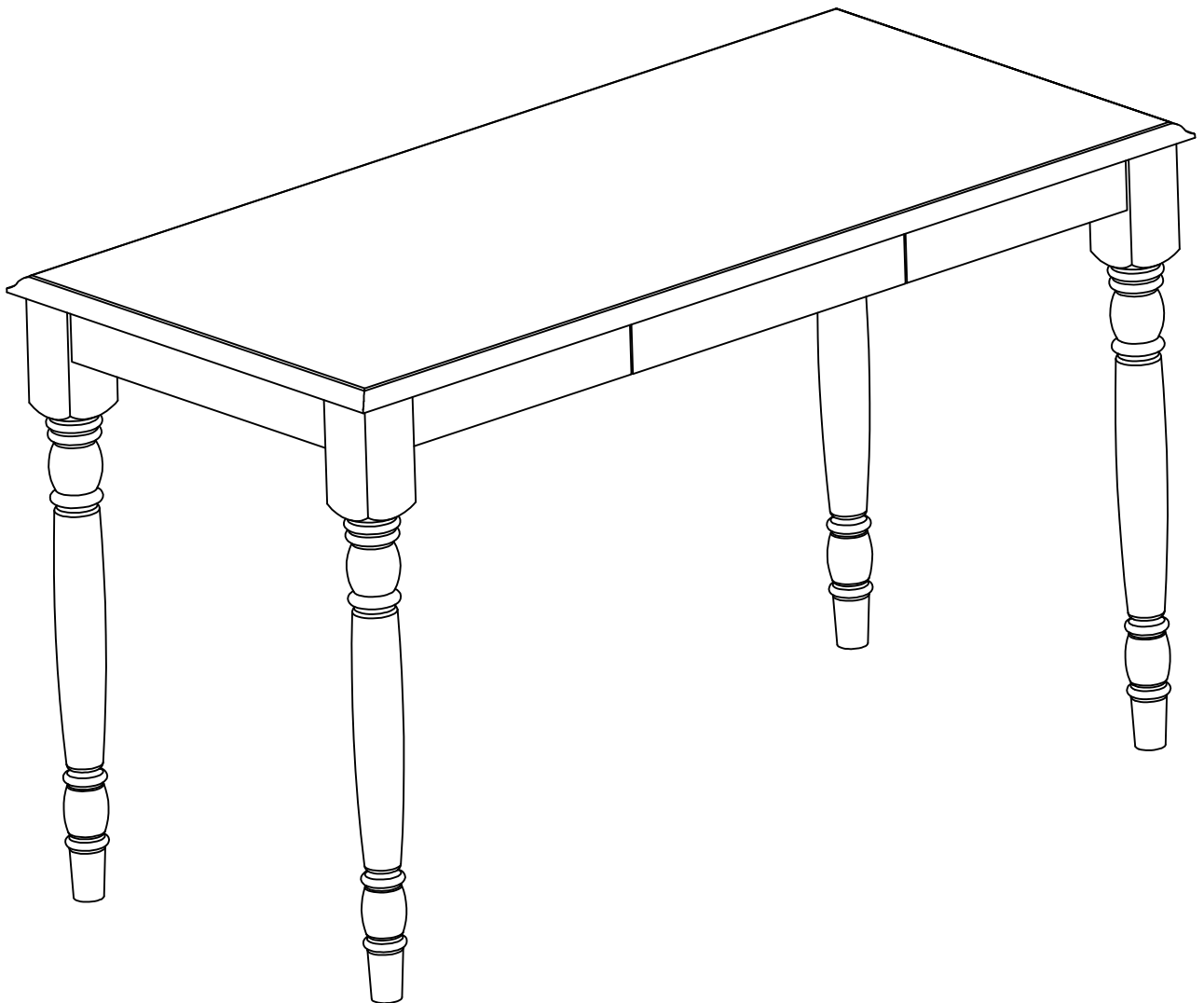


# hayneedle



**ITEM NAME:** Finley Home Alexandria Writing Desk

**SKU:** ELMO 001-1



**For assistance with assembly, please contact customer service**

**1-888-880-4884**

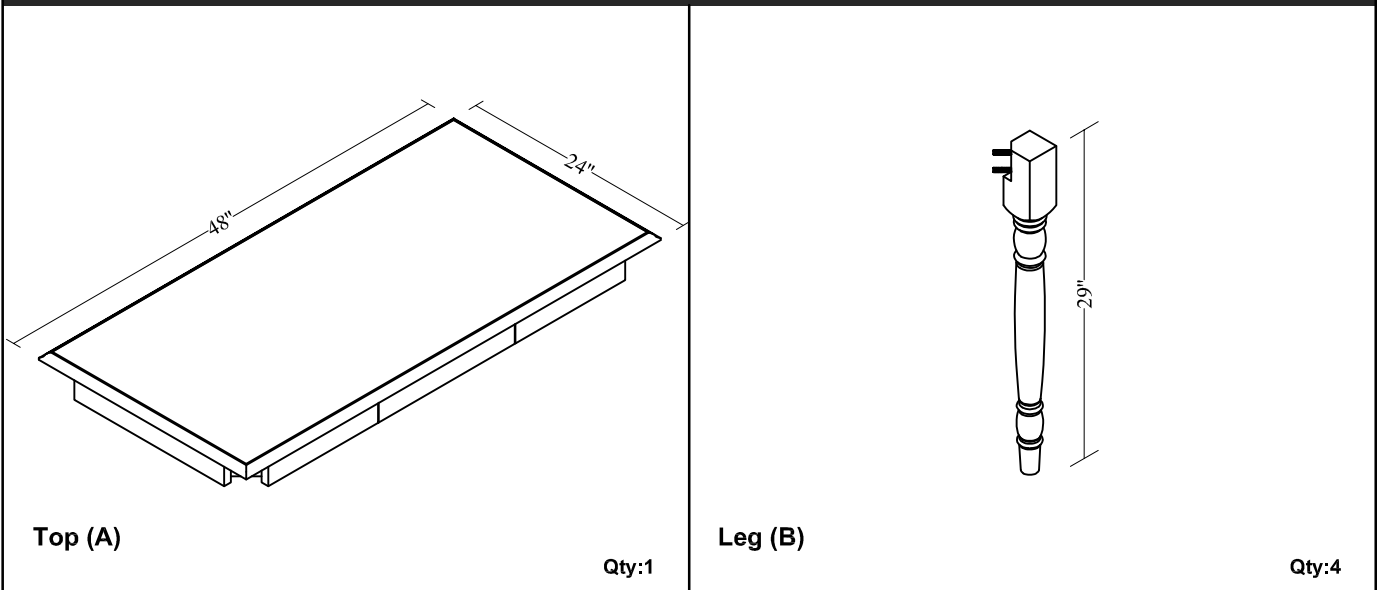
## PRE-ASSEMBLY PREPARATION:



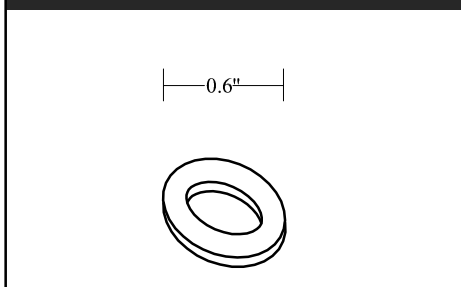
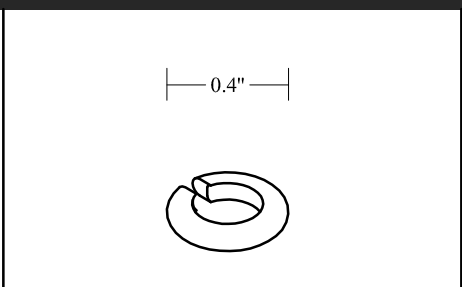
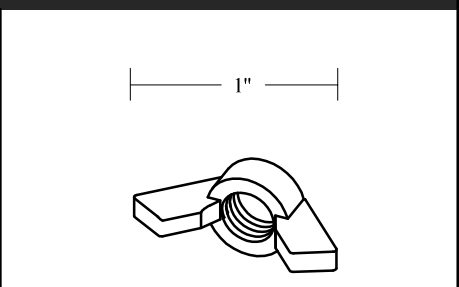
**DO NOT LET CHILDREN PLAY IN OR AROUND THE UNIT DUE TO THE POSSIBLE RISK OF FINGER ENTRAPMENT**

- Please read through this instruction before beginning assembly.
- Two-adult assembly is recommended
- Clear out the space for assembly and lay out all parts based on Parts List, extra room will allow you to easily determine if all the pieces are present.
- Save all packing materials until assembly is complete to avoid accidentally discarding smaller parts or hardware.
- Keep small parts and pieces away from children until fully assembled.
- Please check for any loose screws and tighten them before you use.

## PANEL AND FITTINGS IDENTIFICATION:



## HARDWARE LIST:

 <p><b>Washers (1)</b></p> <p>Qty:8</p>	 <p><b>Spring washers (2)</b></p> <p>Qty:8</p>	 <p><b>Butterfly nut (3)</b></p> <p>Qty:8</p>
--	--	--

## STEP-BY-STEP ASSEMBLY:

- 1** **STEP 1:** 1. Lay top assembly (A) face down on a clean protected surface.  
2. Attach legs (B) to top assembly (A) with the bolts through holes on corner braces  
3. Insert Washer (1), Spring washer (2), Butterfly nut (3) and tighten snugly by hand  
4. To level the table, rotate the adjustable glides found on the bottom of the legs.

