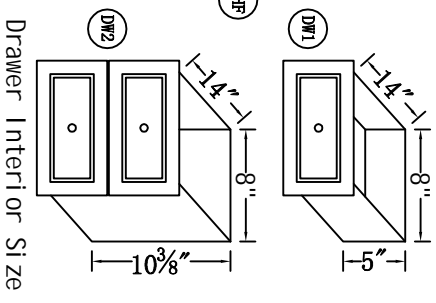
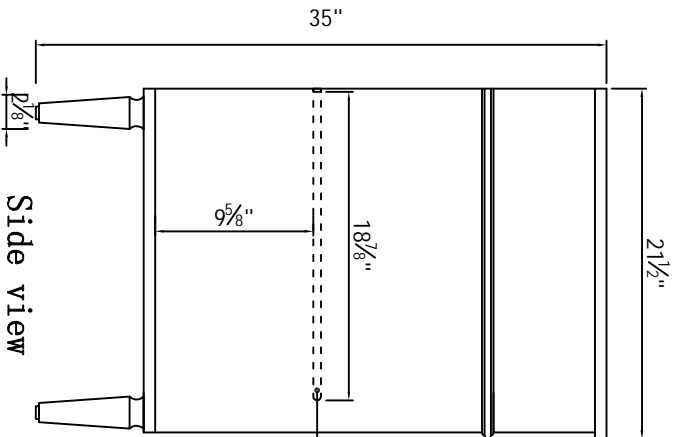
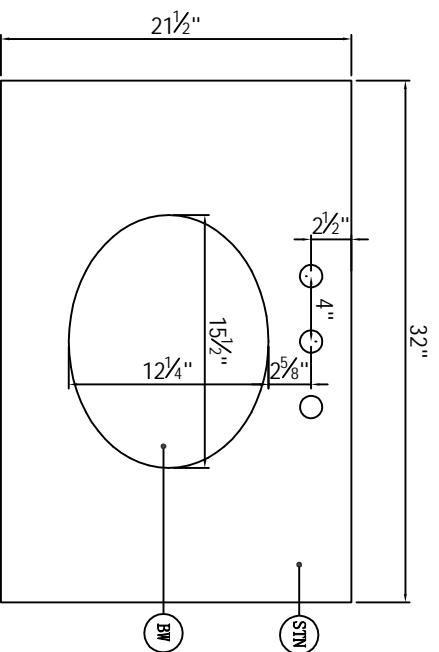


Front view

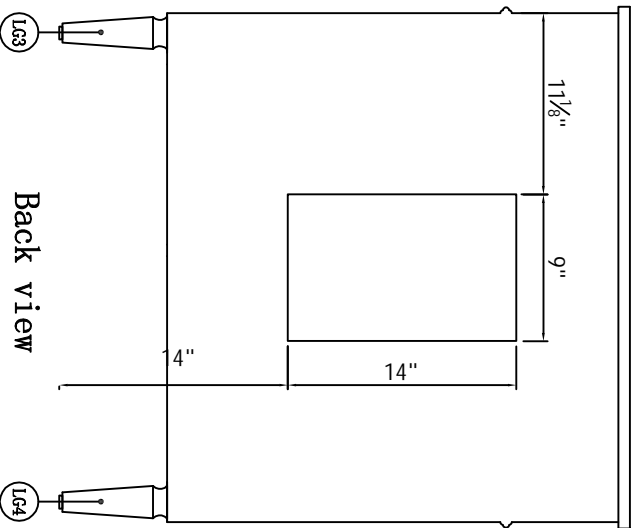
Side view



Drawer Interior Size



Top view



Back view

DWG. NO.

MODEL NO:  
VF-1024

SPEC NO:

QUANTITY:

DATE:

CHECKED BY:

FOR PROPOSAL ONLY ALL  
DIMENSIONS TO BE VERIFIED

PROJECT:

COLOR:

FINISH:

REVISIONS

1	
2	
3	
4	
5	
6	

**ELEGANT**  
FURNITURE & LIGHTING™

500-550 E. Erie Avenue  
Philadelphia PA 19134  
1-888-388-3390

Model # (型号)	VF-1024	Finish (颜色)	White	Mirror type (镜类型)	N/A	Beveled glass (玻璃边缘)	N/A	Frame material (框架材料)	Solid wood and MDF
Solid wood construction (实木结构)	Solid wood legs	Drawers Included (包括抽屉)	Yes	Number of Drawers (抽屉数量)	2	Joinery Type (抽屉结构)	SQUARE ENDED BUTT JOINT	Drawer railing (抽屉滑轨)	Metal
Drawer Length (抽屉长度)	10.8/10.8	Drawer Width (抽屉宽度)	14	Drawer Height (抽屉高度)	6.5/13	Shelves (层板)	Yes	Number of Shelves (层板数量)	1
Doors included (包括门板)	Yes	Number of Doors (门板数量)	1	"Finished Back (有漆或无漆)" Number of Sinks (有漆容纳的数量)	Yes	Hardware finish (五金颜色)	Chrome	Assembly (安装)	Yes
Countertop included (包括台面)	Yes	Countertop material (台面材料)	Marble	Sink hole size (洗手盆开口尺寸)	1	Mounting type (洗手盆材料)	Porcelain	Sink length (洗手盆长度)	15.25
Sink width (洗手盆宽度)	12	Sink height (洗手盆高度)	7	Sink hole size (洗手盆开口尺寸)	1.75	Drain assembly (排水组件)	Free-Standing	Backsplash (后挡板)	No
Backsplash Length (后挡板长度)	N/A	Backsplash width (后挡板宽度)	N/A	Backsplash height (后挡板高度)	N/A	Length/Diameter (长度/直径)	NO	Faucet included (包括水龙头)	NO
Faucet type (水龙头类型)	N/A	Faucet hole size (水龙头开口尺寸)	1.5	Faucet hole spacing (水龙头开口间距)	8"3 Holes	Package Weight (包装重量)	32	Width (宽度)	21.5
Height (高度)	35	Package LENGTH (英寸)	37.375	Package WIDTH (英寸)	26.875	Height (英寸)	34	Package Weight (lbs) (包装重量)	156.64
Product Weight (产品重量)	117.92	Shipment Type (包装类型)	Small Parcel	table top width (台面宽度)	21-1/2"	table top finish (台面颜色)	Carrara white	tempered glass top (钢化玻璃顶面)	NO
Table top maximum weight (台面最大重量)	66 lbs	Table: seating capacity (可容纳多少个座位?)	1	upholstery color (椅和凳子的颜色?)	N/A	upholstery pattern (布艺图案)	N/A	cushion material (坐垫材质)	N/A
base finish (底座颜色)	white	powder coated finish (是否粉末涂层颜色?)	NO	base material (产品的基本材料)	MDF	top material (顶面材质)	Marble	wood species (用什么木料?)	Rubberwood
tip over restraint strap (防止产品倾倒)	NO	shape of top (产品顶面的形状)	Rectangle	11ft top (这个产品的顶部是否像一个盖子一样可以在下面存储?)	NO	shelf material (层板的材质)	MDF	adjustable shelves (层板如何调节?)	NO
"Drawer Handle designs (抽屉拉手设计 & Door Knob Model (拉手型号))"	knobs & KB102	safety stop (是否有安全停止功能?)	Yes	felt lined drawers (是否有包布?)	NO	drawer glide extension (抽屉路轨是哪一种?)	Full extension	drawer glide material (抽屉路轨的材质)	Metal
drawer dividers (抽屉内是否有分隔?)	NO	Drawer Interior finish (抽屉内部颜色)	White	Ball Bearing Glides (是否用滚珠轴承滑轨?)	NO	soft close drawer glides (是否有缓冲滑轨功能?)	YES	Number of cabinets (柜数量)	1
shelf height (层板顶部到底部的高度)	9-5/8"	shelf width (层板长度 (边和边之间))	14-1/4"	shelf depth (层板宽度 (前到后之间))	18-7/8"	Shelf thickness (层板厚度)	1/2"	Any certification? (有任何认证吗?)	NO
CallFormia Proposition 65 warning (是否符合加利福尼亚命题65警告要求?)	YES	Drawers Interior Height (抽屉内部高度)	DM1: 5", DM2: 10-3/8"	Drawer Interior Width (抽屉内部长度 (边和边之间))	DM1: 8", DM2: 8"	Drawer Interior Depth (抽屉内部宽度 (前和后之间))	DM1: 14", DM2: 14"	cabinet interior height (柜子内部高度)	19-5/8"
亚命题65警告要求?		cabinet interior width (柜子内部宽度)	19-7/8"	leg height (脚高度 (顶部到底))	6-5/8"	leg width (脚长度 (边和边之间))	2-1/8"	leg depth (脚宽度 (前和后之间))	2-1/8"
glass finish (玻璃效果)	N/A	stackable (可堆叠吗?)	NO	leg design (脚设计)	Straight legs	Armories: Ring slots (珠宝柜: 有多少个戒指槽?)	N/A	Armories: hooks (珠宝柜: 有多少个挂钩?)	N/A
armories dimensions (珠宝柜: 内嵌的尺寸)	N/A	door thickness (门厚度)	7/8"	false drawers? (是否有假斗门?)	NO	sink type (瓷盆类型)	Undermount	# of faucet holes (有多少水龙头孔?)	3

DWG. NO.

MODEL NO:  
VF-1024

SPEC NO:

QUANTITY:

DATE:

CHECKED BY:

FOR PROPOSAL ONLY ALL DIMENSIONS TO BE VERIFIED

PROJECT:

COLOR:

FINISH:

REVISIONS

1	
2	
3	
4	
5	
6	

 ELEGANT FURNITURE & LIGHTING™

500-550 E. Erie Avenue

Philadelphia PA 19134

1-888-388-3390