


DREW BARRYMORE

FLOWER

KIDS

 **WARNING** The maximum load capacity (150 lbs) may not be exceeded. Exceeding load capacity may result in collapse and possible injury.

THIS INSTRUCTION BOOKLET CONTAINS IMPORTANT SAFETY INFORMATION. PLEASE READ AND KEEP FOR FUTURE REFERENCE.

Thank you for your purchase. We want to make sure it is to your complete satisfaction.

If any parts are missing or defective please contact our customer service department.

Customer Service - 1-866-528-8364 / support@dimensionsfurniture.com

Your satisfaction is our top priority. Our products are designed and manufactured to meet the highest quality. In the event that you have assembly questions, or parts are missing or damaged, please do not return the product.

Our customer service department would appreciate the opportunity to provide any help necessary regarding assembly and to provide any necessary parts.

ASSEMBLY INSTRUCTIONS

Model: # 9990N

Flower Kids Nightstand

BY DREW BARRYMORE FLOWER KIDS

Lot Number: _____

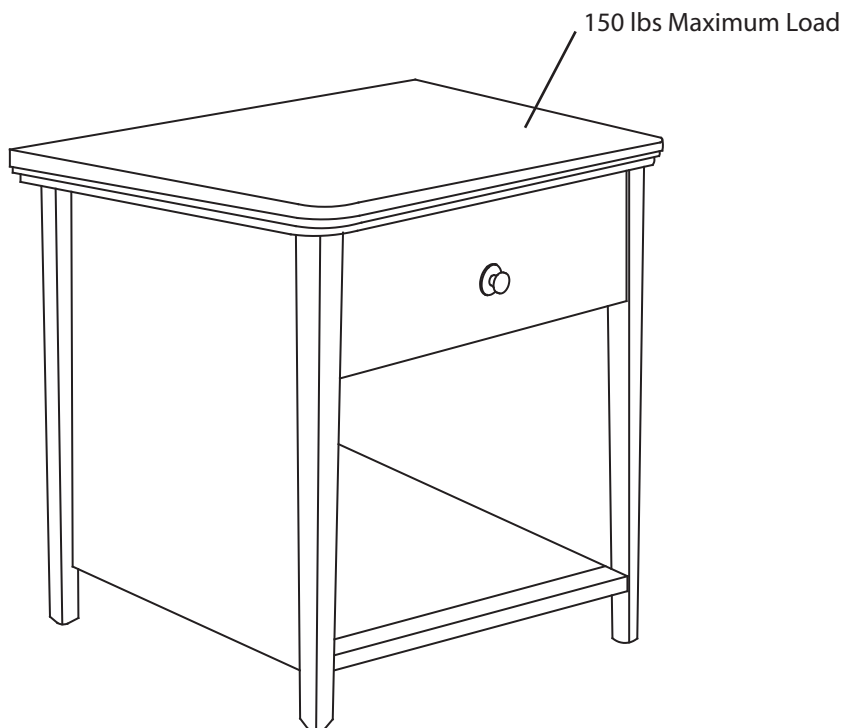
Date of Purchase: ___ / ___ / ____

Manufactured by: Dimensions Furniture, Inc

341 Gradle Drive, Carmel, IN 46032

1-866-528-8364 / support@dimensionsfurniture.com

STEP-BY-STEP ASSEMBLY



LIMITED ONE YEAR WARRANTY

Warranty available to original purchaser only. Proof of purchase is required. This warranty is your sole remedy for product defect and does not cover damage due to mishandling, misuse, or abuse. The manufacturer is not responsible for incidental or consequential damages.

This warranty gives you specific legal rights and you may also have other rights which vary from state to state.



Dimensions Furniture, Inc
341 Gradle Drive, Carmel, IN 46032
1-866-528-8364 / support@dimensionsfurniture.com

Printed in Vietnam

DREW BARRYMORE

FLOWER

KIDS